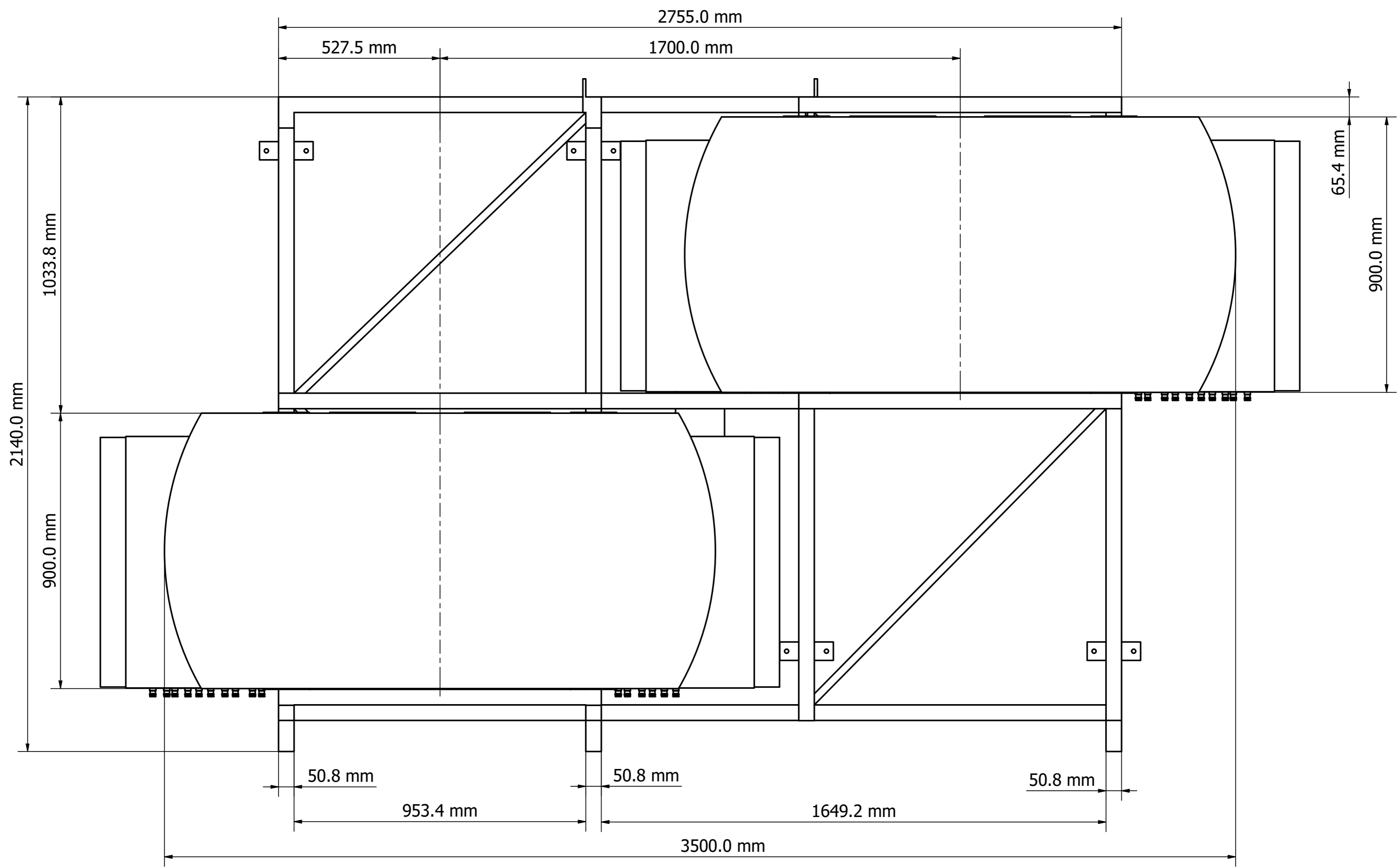

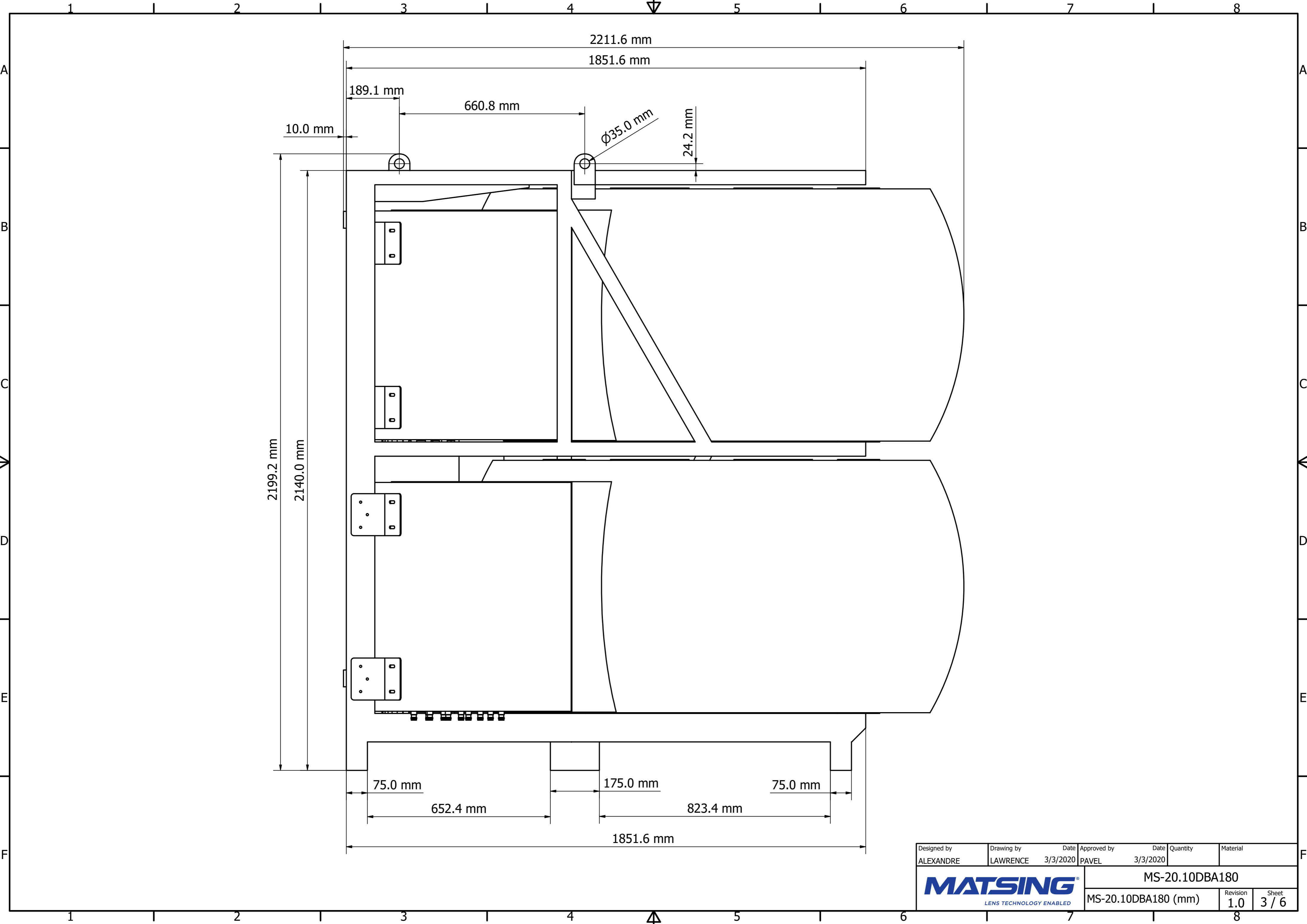


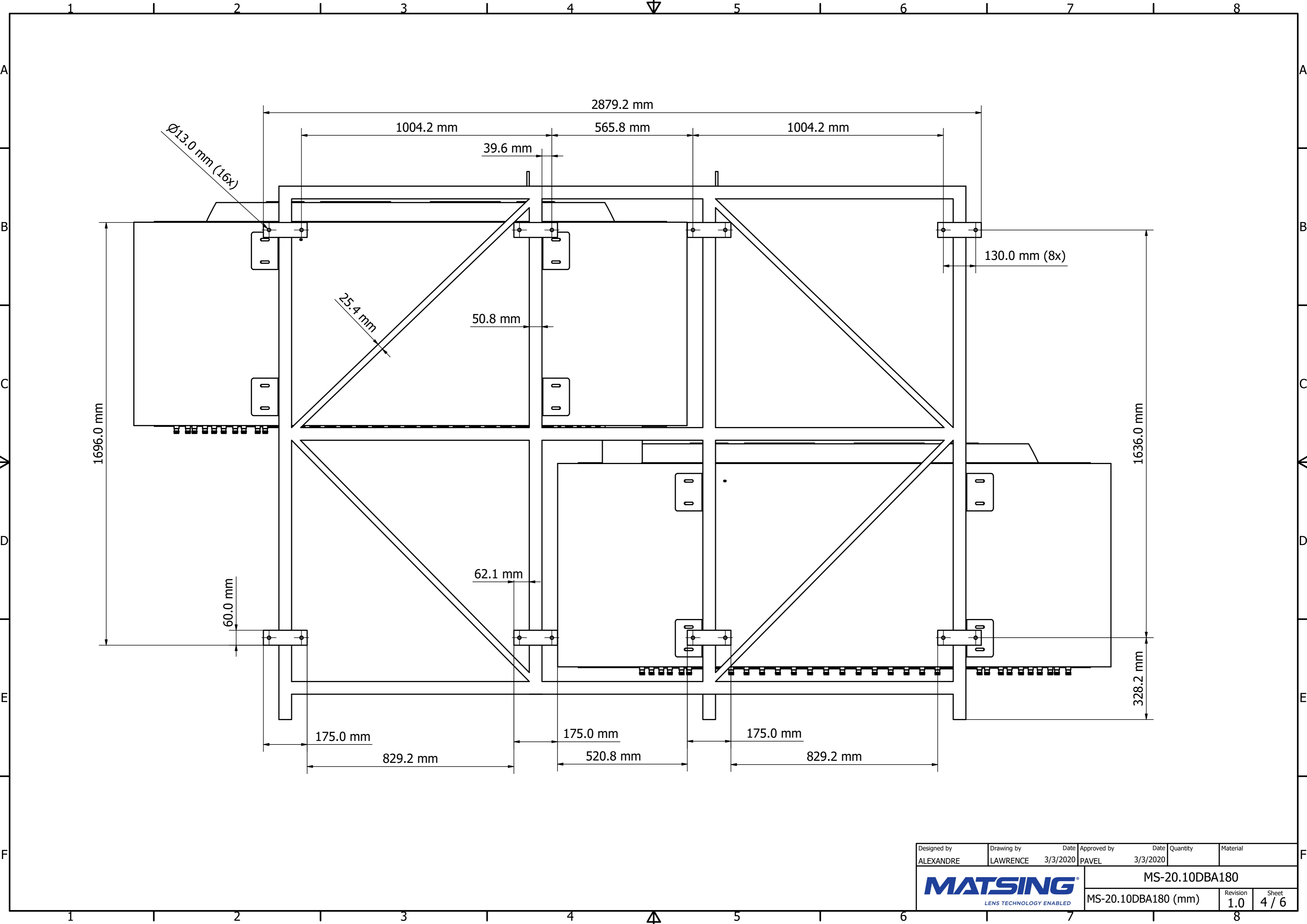
Designed by ALEXANDRE	Drawing by LAWRENCE	Date 3/3/2020	Approved by PAVEL	Date 3/3/2020	Quantity	Material
<b>MATSING</b> LENS TECHNOLOGY ENABLED						MS-20.10DBA180
MS-20.10DBA180 (mm)					Revision 1.0	Sheet 1 / 6




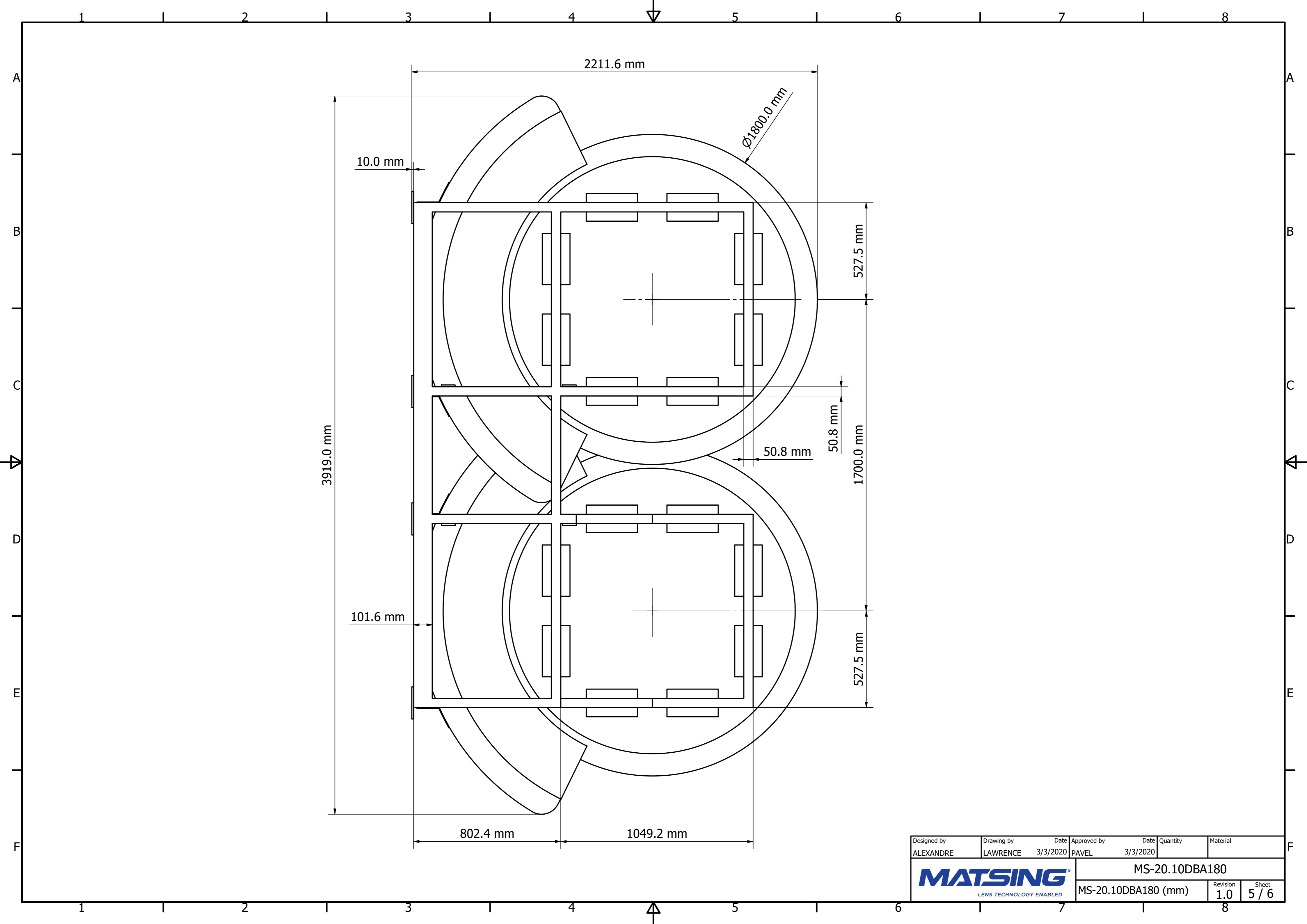
Designed by ALEXANDRE	Drawing by LAWRENCE	Date 3/3/2020	Approved by PAVEL	Date 3/3/2020	Quantity	Material
 <b>MATSING</b> <small>LENS TECHNOLOGY ENABLED</small>						MS-20.10DBA180
						MS-20.10DBA180 (mm)




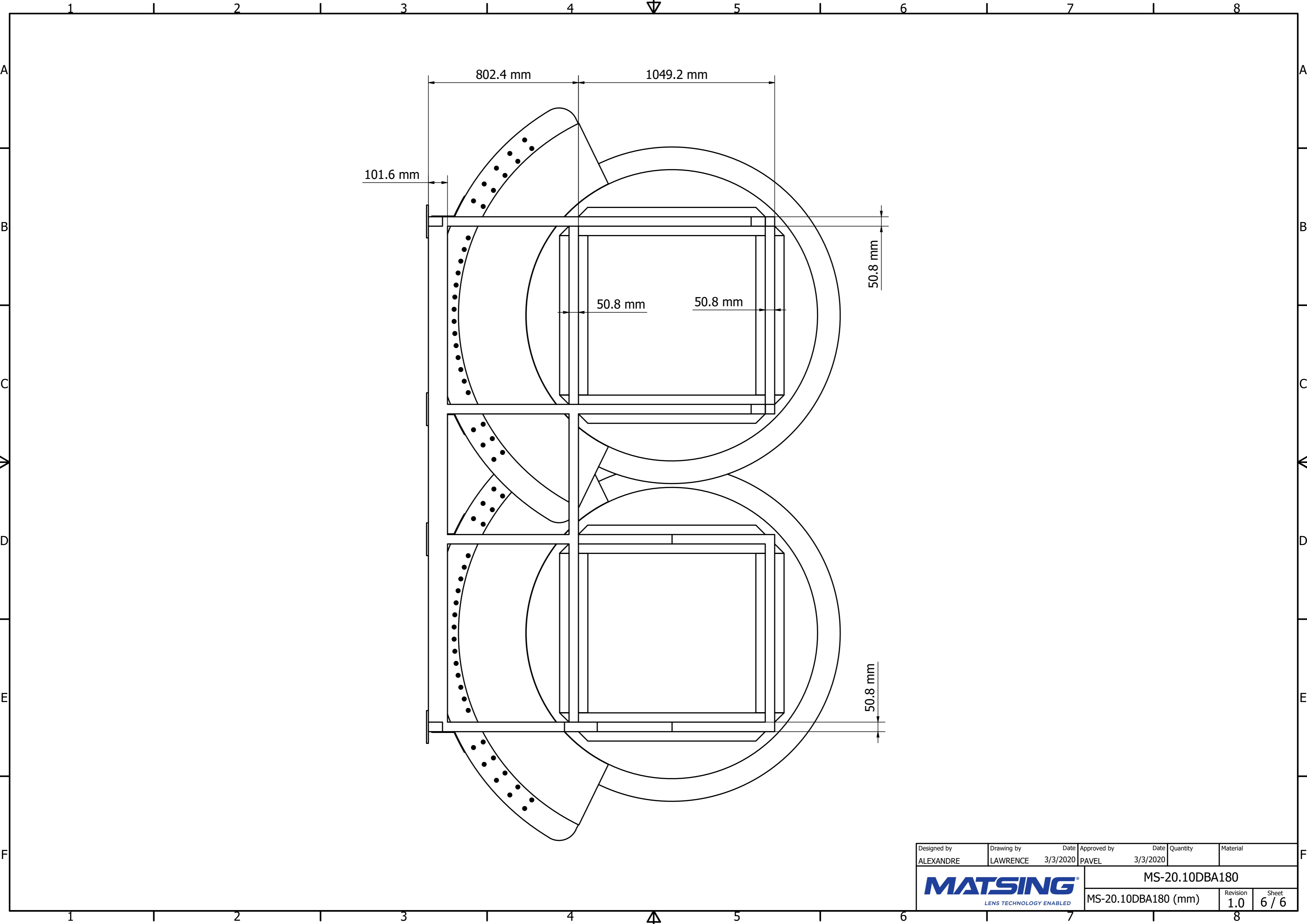
Designed by ALEXANDRE	Drawing by LAWRENCE	Date 3/3/2020	Approved by PAVEL	Date 3/3/2020	Quantity	Material
<b>MATSING</b> LENS TECHNOLOGY ENABLED						MS-20.10DBA180
MS-20.10DBA180 (mm)					Revision 1.0	Sheet 3 / 6




Designed by ALEXANDRE	Drawing by LAWRENCE	Date 3/3/2020	Approved by PAVEL	Date 3/3/2020	Quantity	Material
 <b>MATSING</b> <small>LENS TECHNOLOGY ENABLED</small>						MS-20.10DBA180
						MS-20.10DBA180 (mm)



Designed by ALEXANDRE	Drawing by LAWRENCE	Date 3/3/2020	Approved by PAVEL	Date 3/3/2020	Quantity	Material
 <b>MATSING</b> <small>LENS TECHNOLOGY ENABLED</small>			MS-20.10DBA180			
			MS-20.10DBA180 (mm)			Revision 1.0



Designed by ALEXANDRE	Drawing by LAWRENCE	Date 3/3/2020	Approved by PAVEL	Date 3/3/2020	Quantity	Material
 <b>MATSING</b> <small>LENS TECHNOLOGY ENABLED</small>						MS-20.10DBA180
						MS-20.10DBA180 (mm)