

Wind Load

Antenna MS-18H90

Antenna Model Number

MS-18H90

Velocity [km/h]

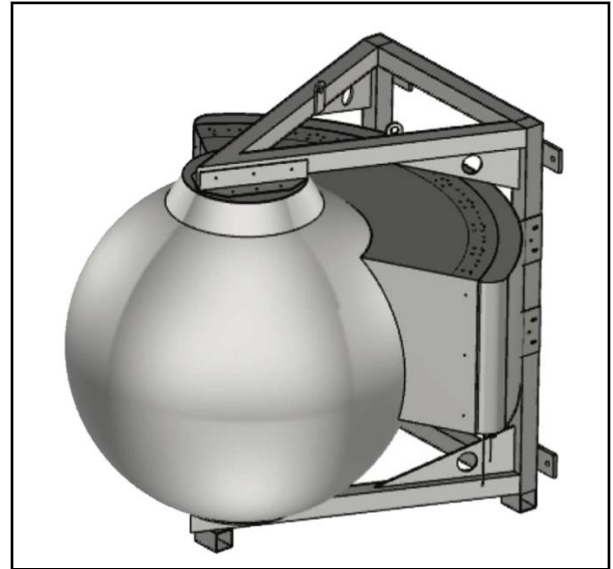
150

Dimensions: [mm]

1100 x 1190 x 1210

Spherical Lens Diameter [mm]

850



Results

	Frontal	Lateral
Antenna Drag Coefficient	0.71	0.8
Wind Load [N/lbf]	574/129	753/169