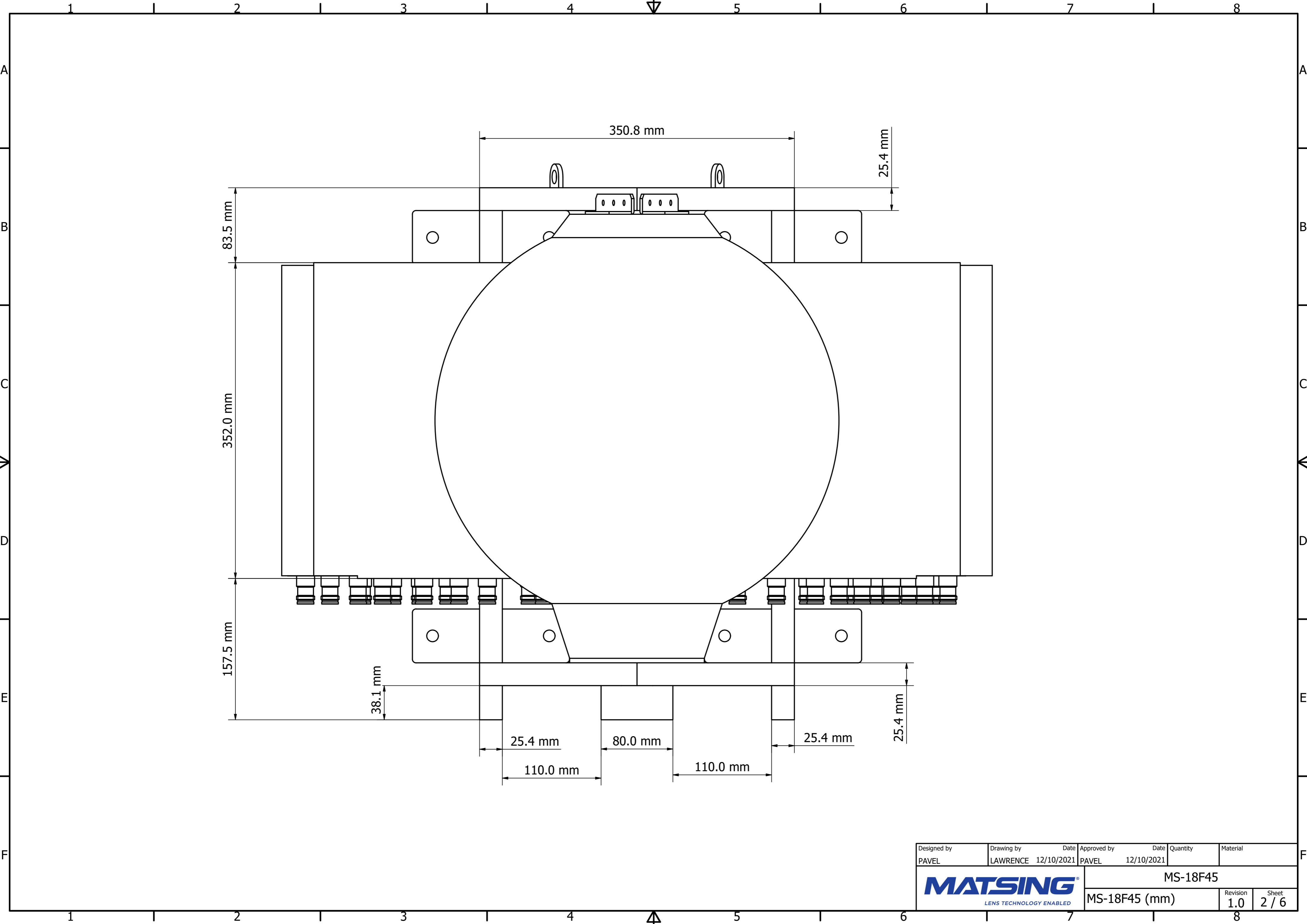
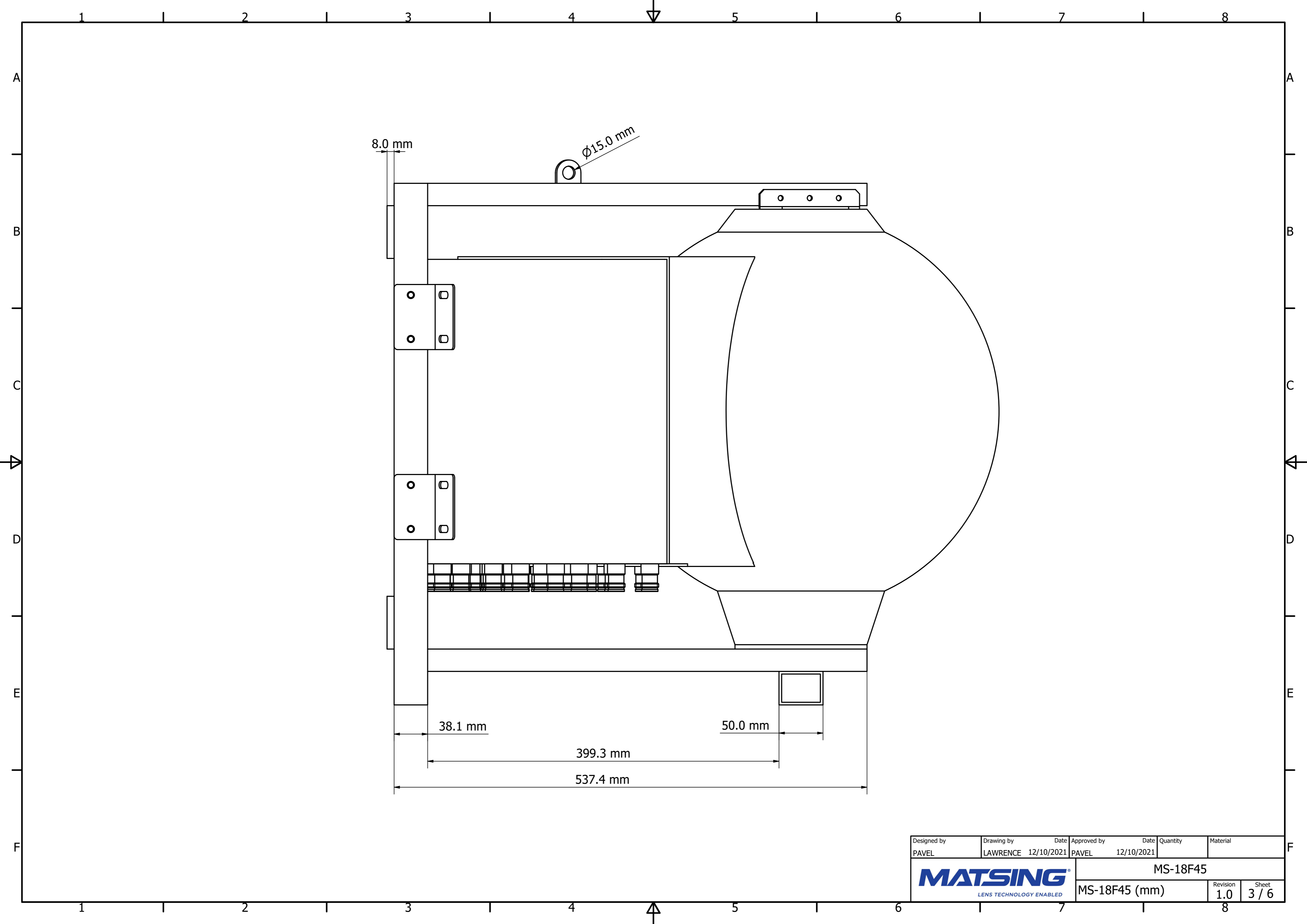


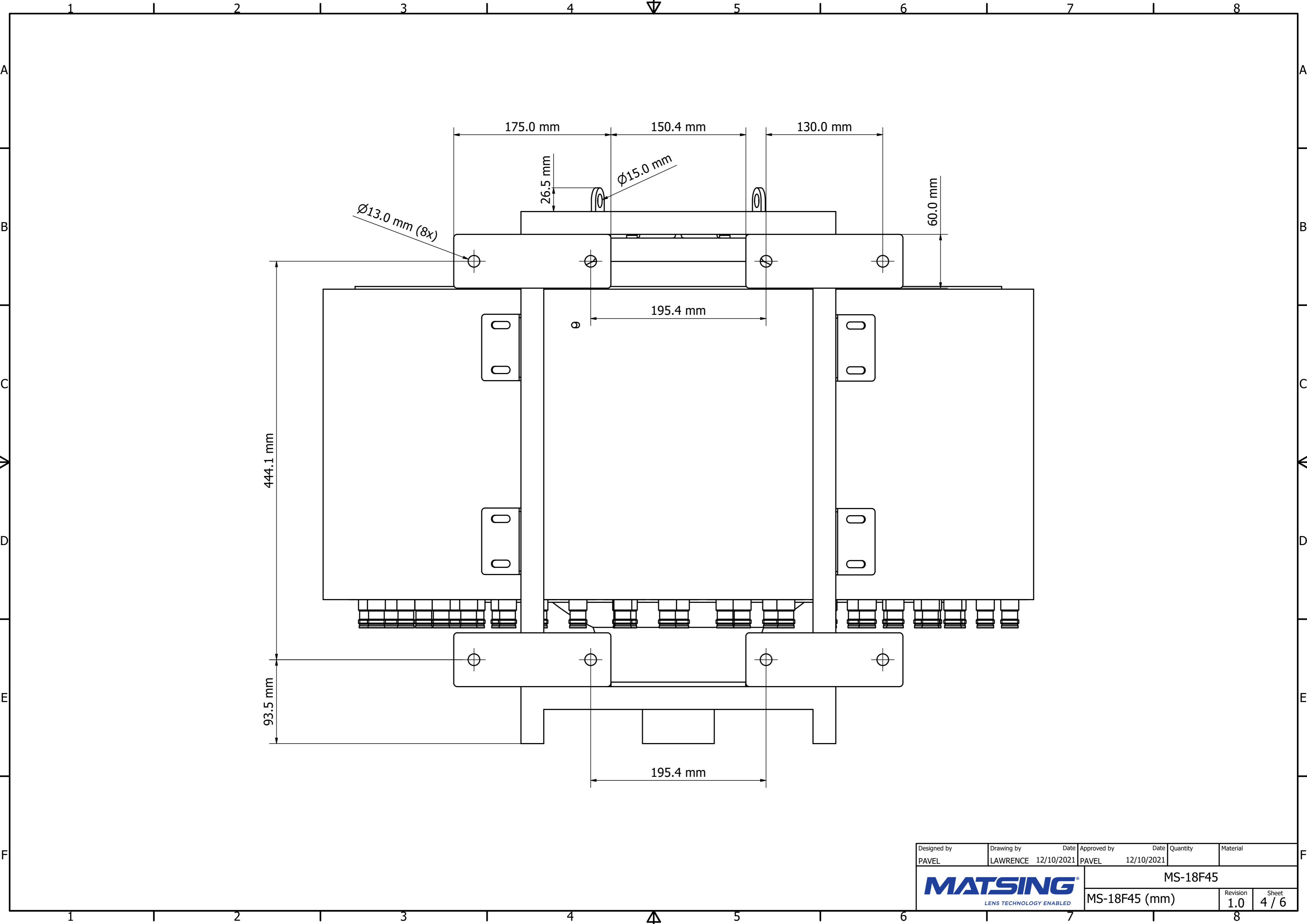
Designed by	Drawing by	Date	Approved by	Date	Quantity	Material
PAVEL	LAWRENCE	12/10/2021	PAVEL	12/10/2021		
MATSING LENS TECHNOLOGY ENABLED						MS-18F45
						MS-18F45 (mm)
					Revision	Sheet
					1.0	1 / 6



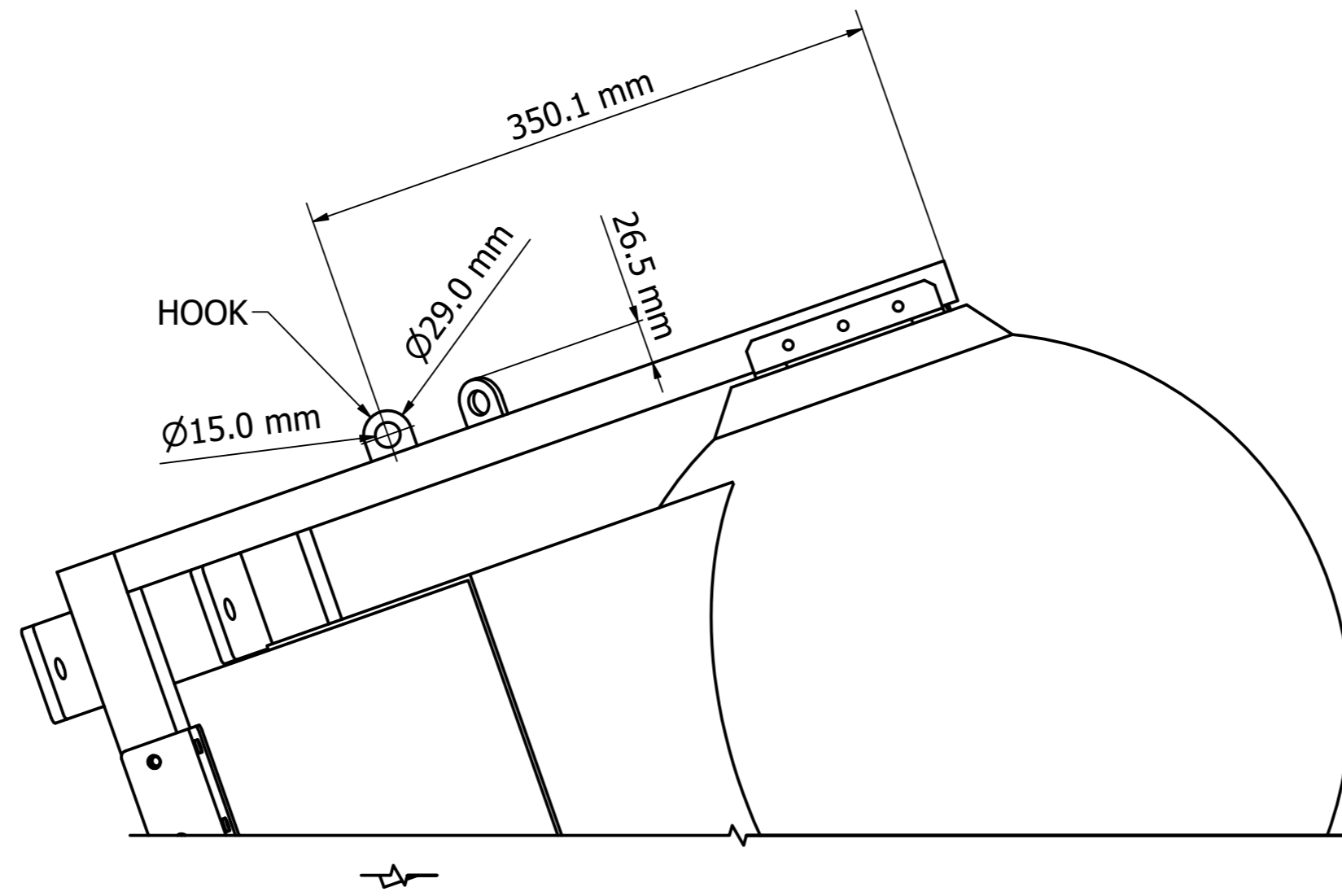
Designed by PAVEL	Drawing by LAWRENCE	Date 12/10/2021	Approved by PAVEL	Date 12/10/2021	Quantity	Material
MATSING LENS TECHNOLOGY ENABLED						MS-18F45
MS-18F45 (mm)					Revision 1.0	Sheet 2 / 6



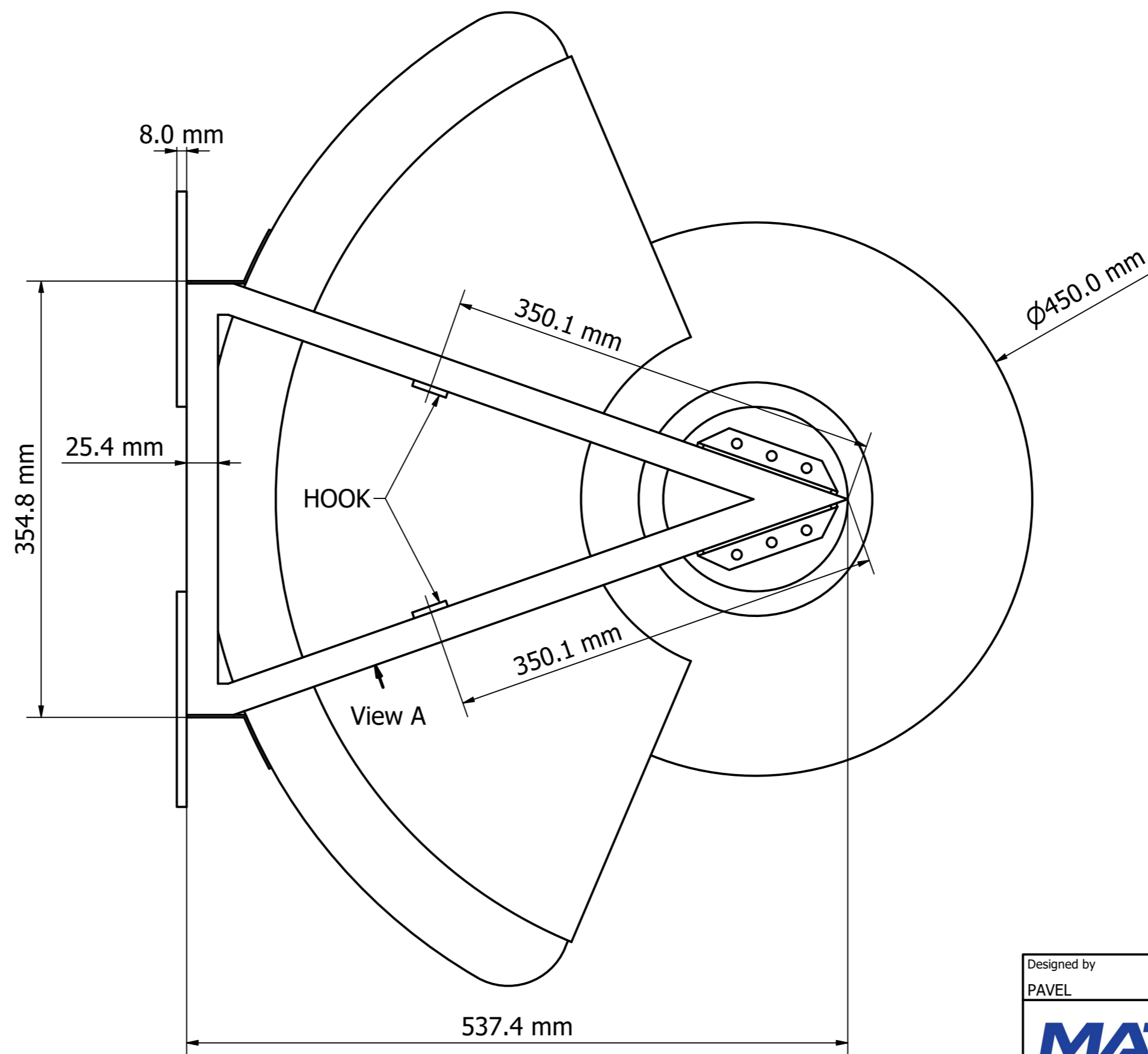
Designed by PAVEL	Drawing by LAWRENCE	Date 12/10/2021	Approved by PAVEL	Date 12/10/2021	Quantity	Material
MATSING LENS TECHNOLOGY ENABLED						MS-18F45
MS-18F45 (mm)					Revision 1.0	Sheet 3 / 6



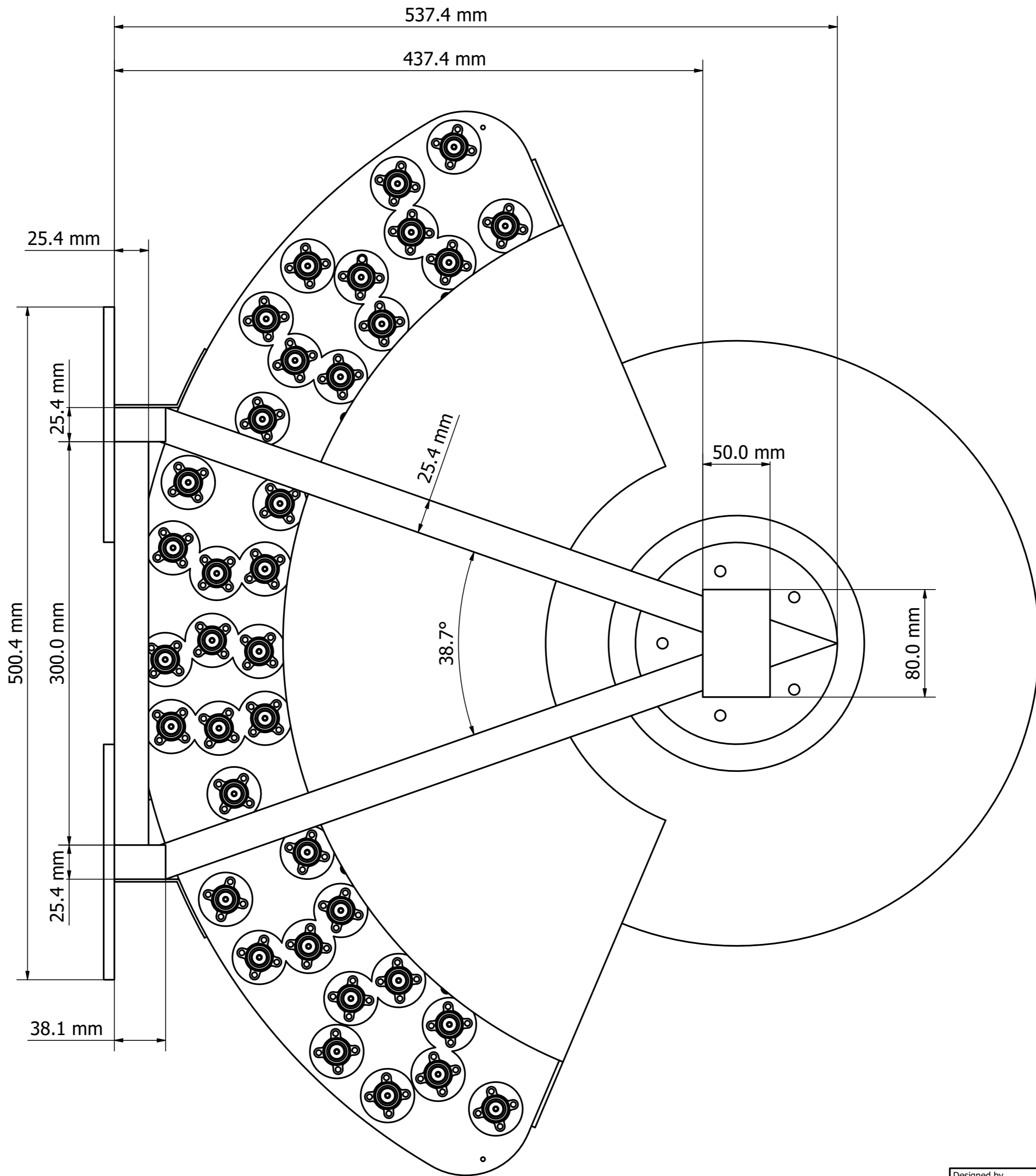
Designed by PAVEL	Drawing by LAWRENCE	Date 12/10/2021	Approved by PAVEL	Date 12/10/2021	Quantity	Material
MATSING LENS TECHNOLOGY ENABLED						MS-18F45
MS-18F45 (mm)					Revision 1.0	Sheet 4 / 6



View A



Designed by PAVEL	Drawing by LAWRENCE	Date 12/10/2021	Approved by PAVEL	Date 12/10/2021	Quantity	Material
MATSING LENS TECHNOLOGY ENABLED						MS-18F45
MS-18F45 (mm)					Revision 1.0	Sheet 5 / 6



Designed by	Drawing by	Date	Approved by	Date	Quantity	Material	
PAVEL	LAWRENCE	12/10/2021	PAVEL	12/10/2021			
MATSING LENS TECHNOLOGY ENABLED						MS-18F45	
MS-18F45 (mm)						Revision 1.0	Sheet 6 / 6