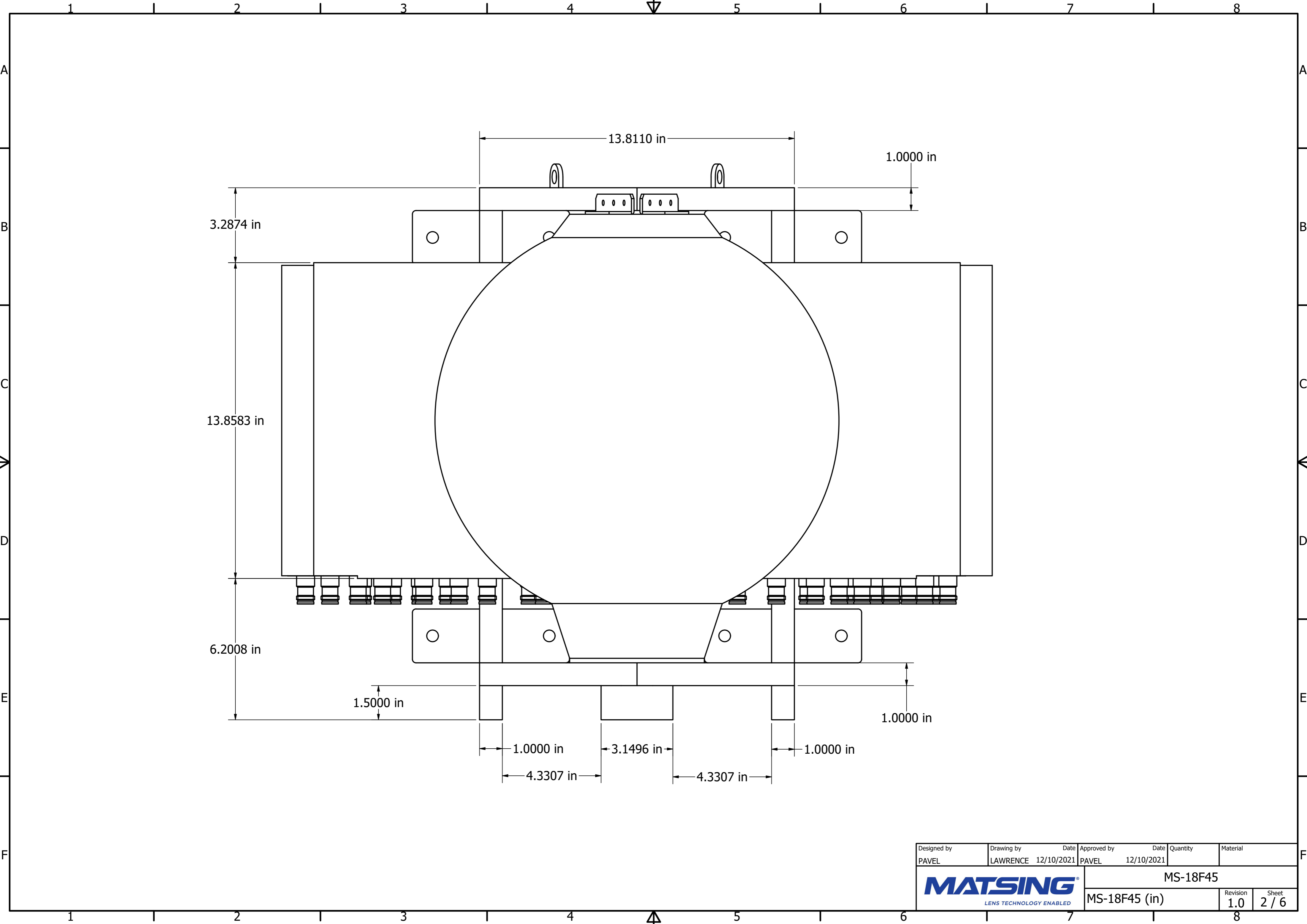
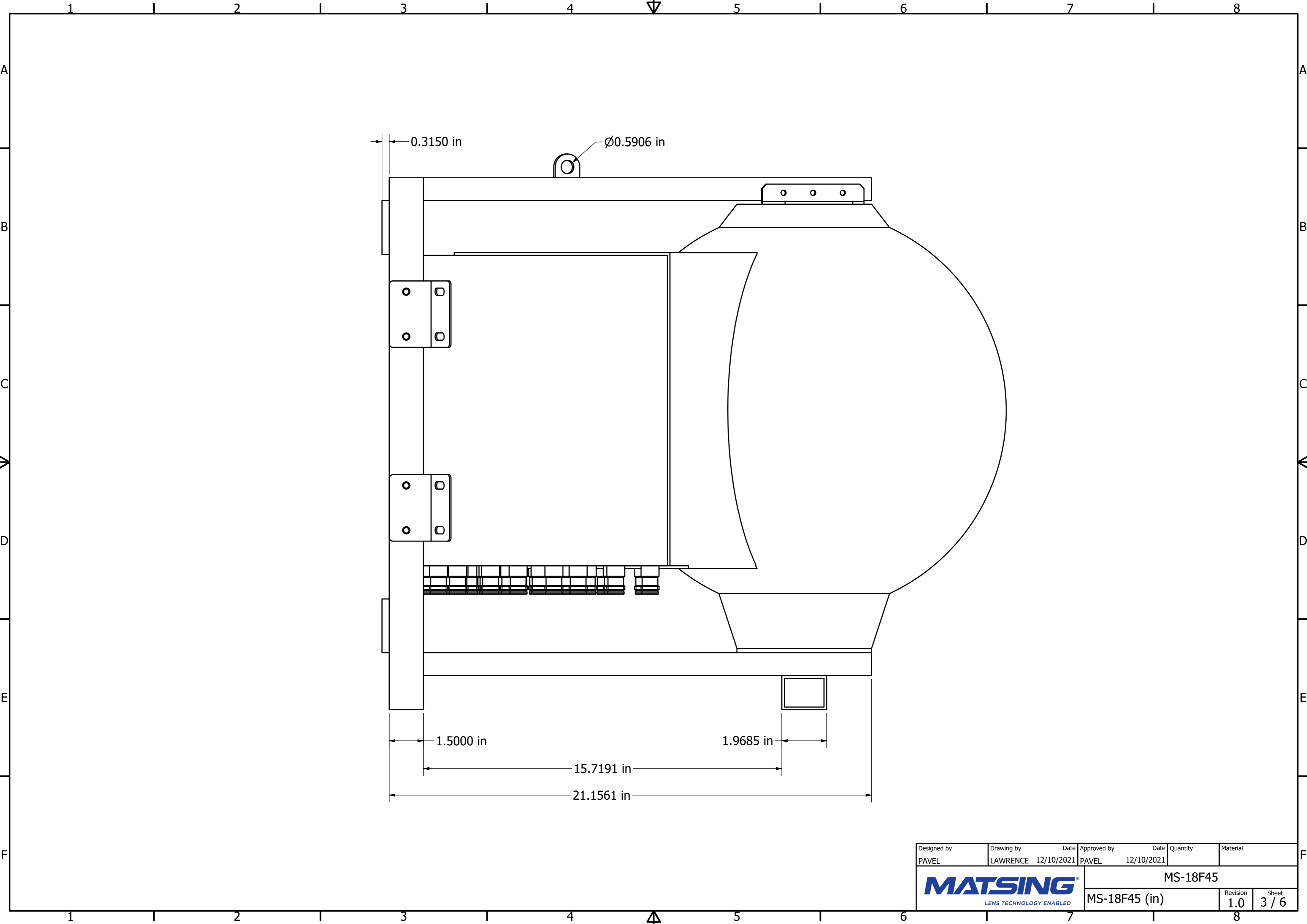


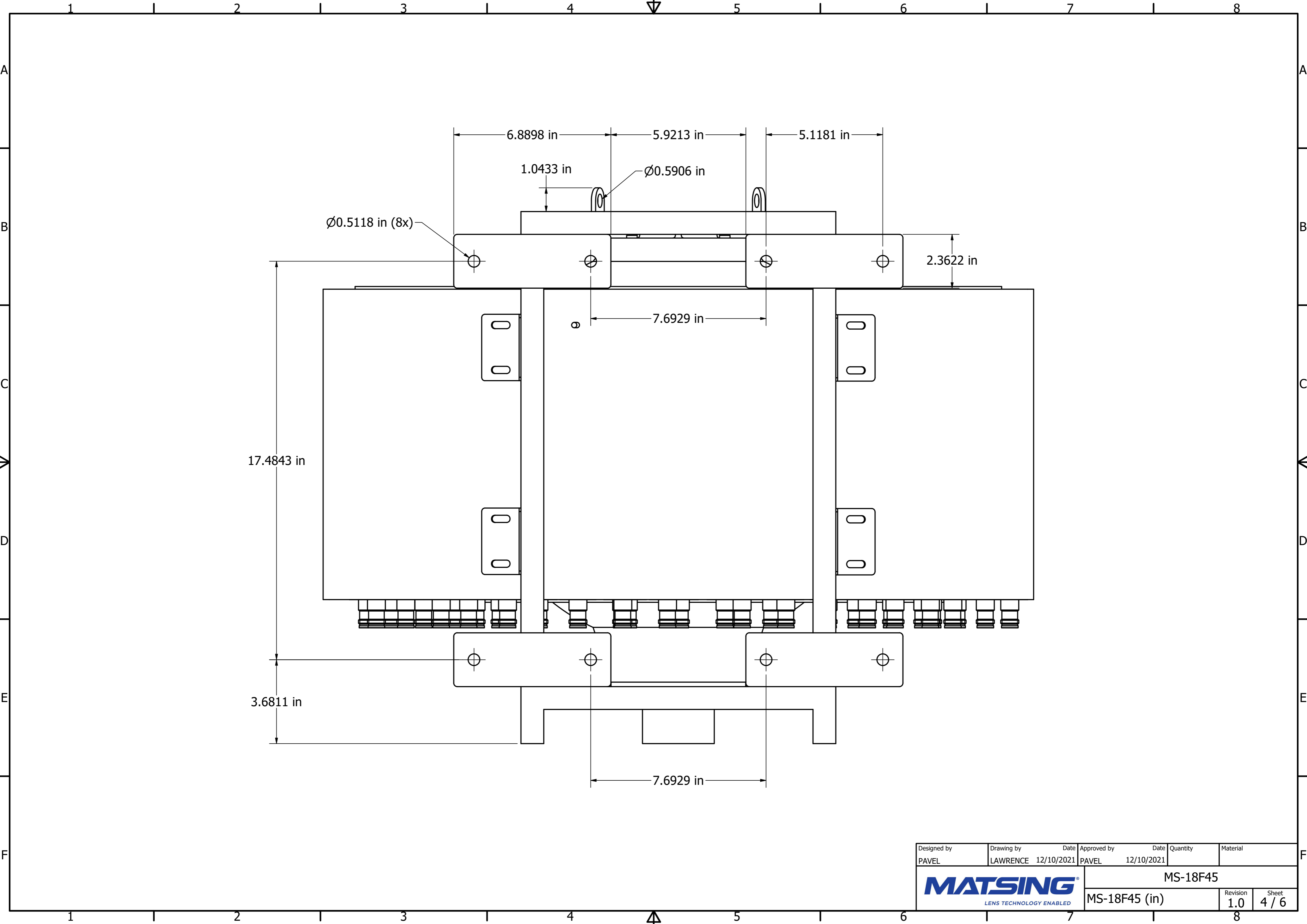
Designed by PAVEL	Drawing by LAWRENCE	Date 12/10/2021	Approved by PAVEL	Date 12/10/2021	Quantity	Material
MATSING LENS TECHNOLOGY ENABLED						MS-18F45
MS-18F45 (in)					Revision 1.0	Sheet 1 / 6



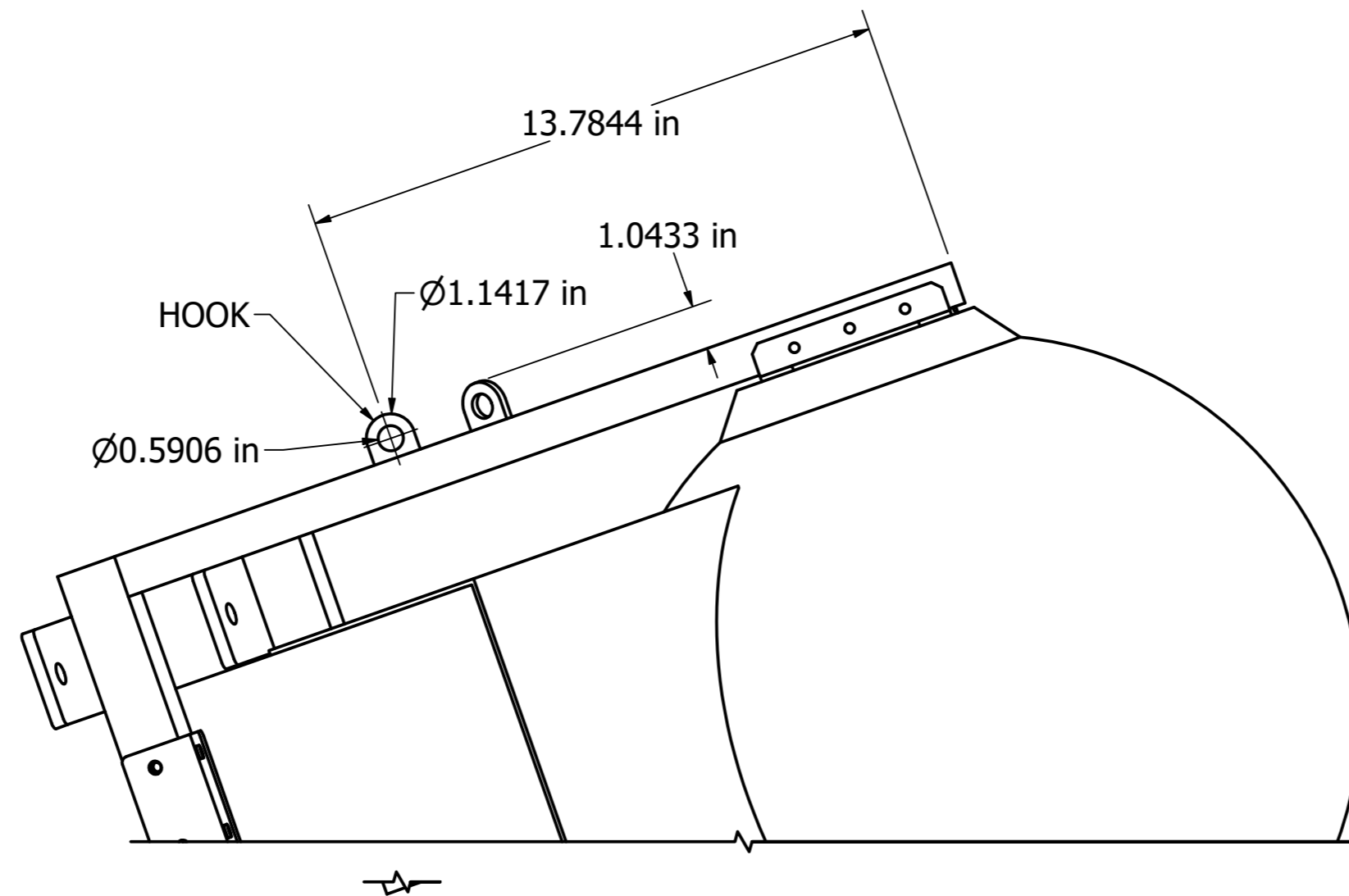
Designed by PAVEL	Drawing by LAWRENCE	Date 12/10/2021	Approved by PAVEL	Date 12/10/2021	Quantity	Material
MATSING LENS TECHNOLOGY ENABLED						MS-18F45
MS-18F45 (in)					Revision 1.0	Sheet 2 / 6



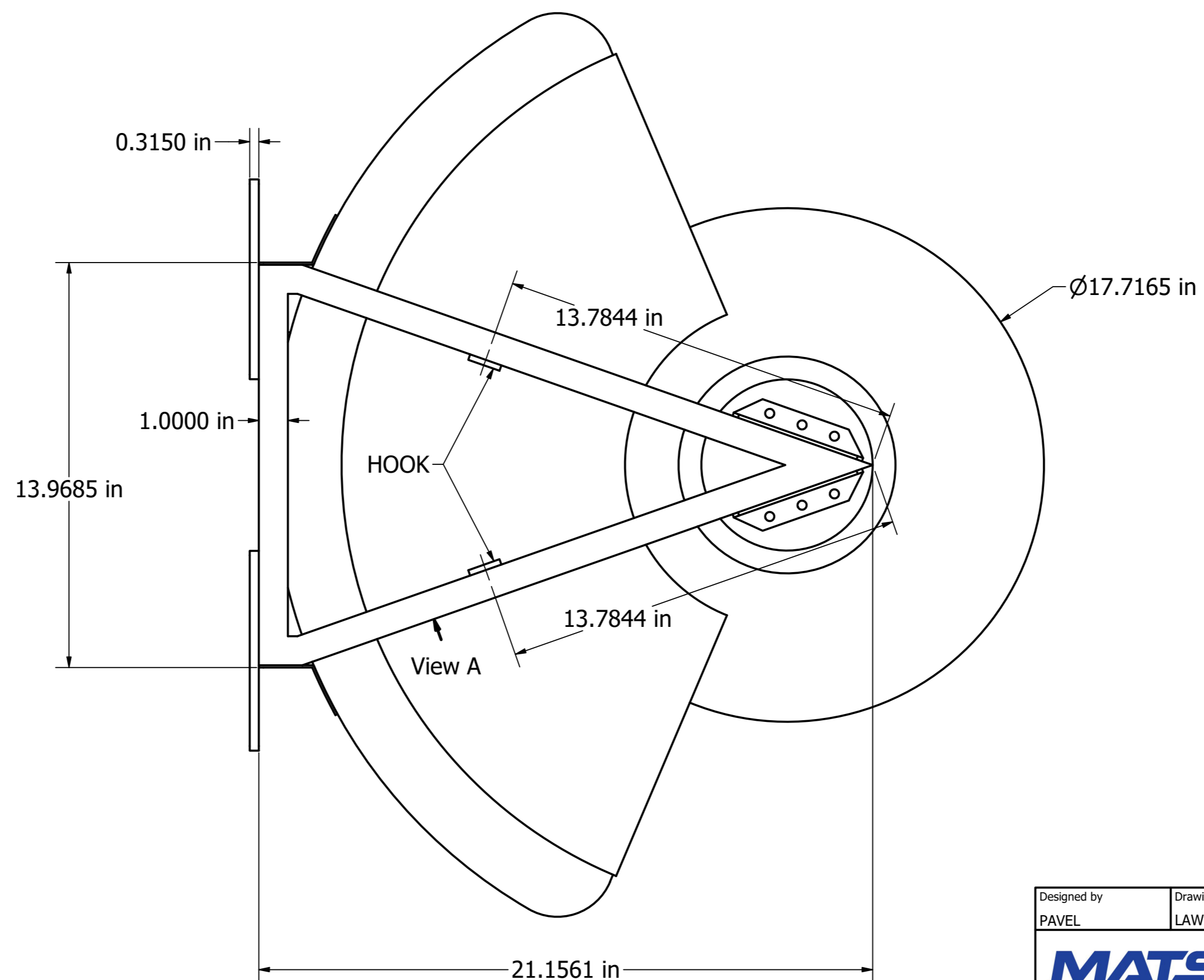
Designed by PAVEL	Drawing by LAWRENCE	Date 12/10/2021	Approved by PAVEL	Date 12/10/2021	Quantity	Material
MATSING LENS TECHNOLOGY ENABLED						MS-18F45
MS-18F45 (in)					Revision 1.0	Sheet 3 / 6



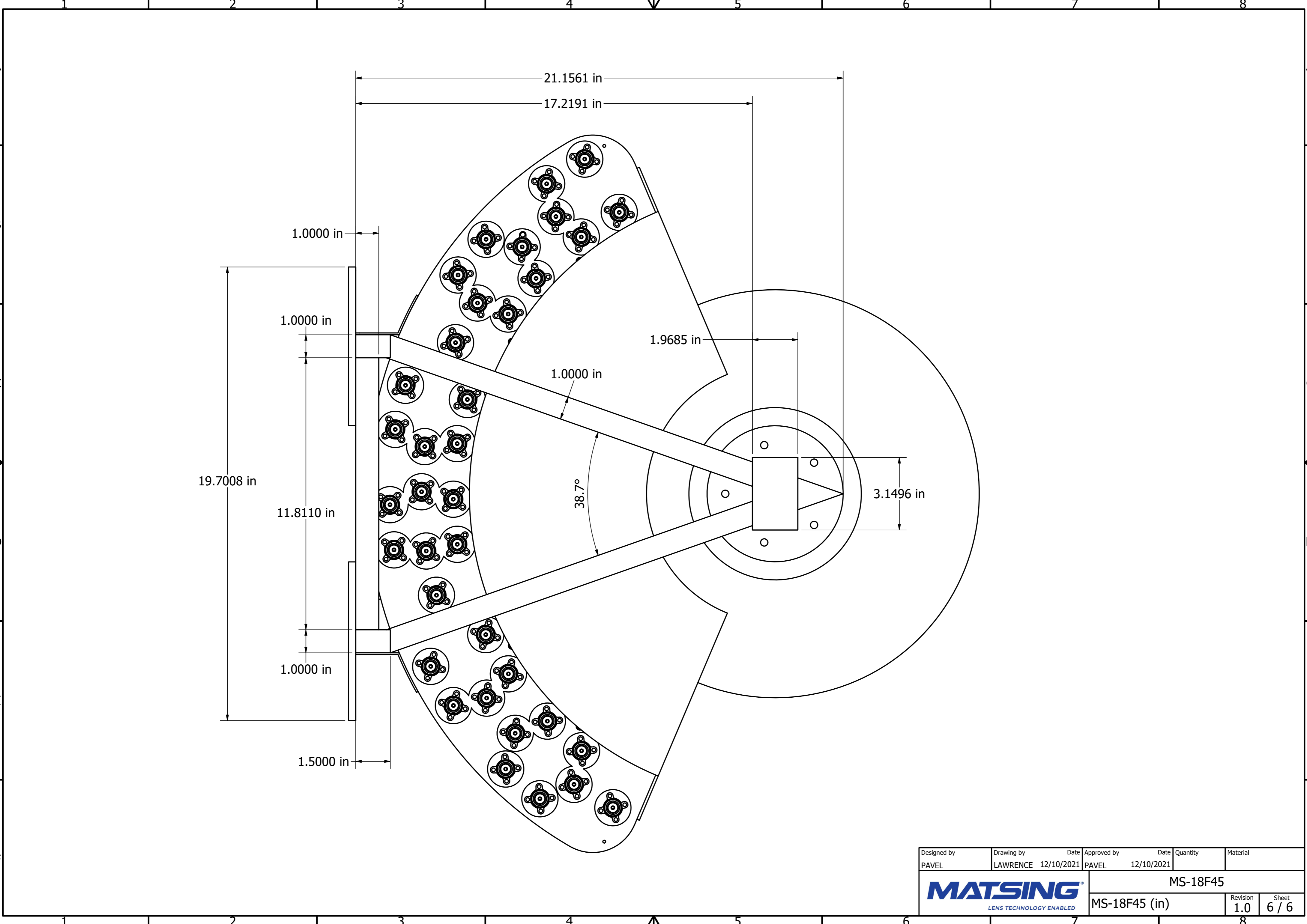
Designed by PAVEL	Drawing by LAWRENCE	Date 12/10/2021	Approved by PAVEL	Date 12/10/2021	Quantity	Material
MATSING LENS TECHNOLOGY ENABLED						MS-18F45
MS-18F45 (in)					Revision 1.0	Sheet 4 / 6



View A



Designed by PAVEL	Drawing by LAWRENCE	Date 12/10/2021	Approved by PAVEL	Date 12/10/2021	Quantity	Material
MATSING LENS TECHNOLOGY ENABLED						MS-18F45
MS-18F45 (in)					Revision 1.0	Sheet 5 / 6



Designed by PAVEL	Drawing by LAWRENCE	Date 12/10/2021	Approved by PAVEL	Date 12/10/2021	Quantity	Material
MATSING LENS TECHNOLOGY ENABLED						MS-18F45
MS-18F45 (in)					Revision 1.0	Sheet 6 / 6