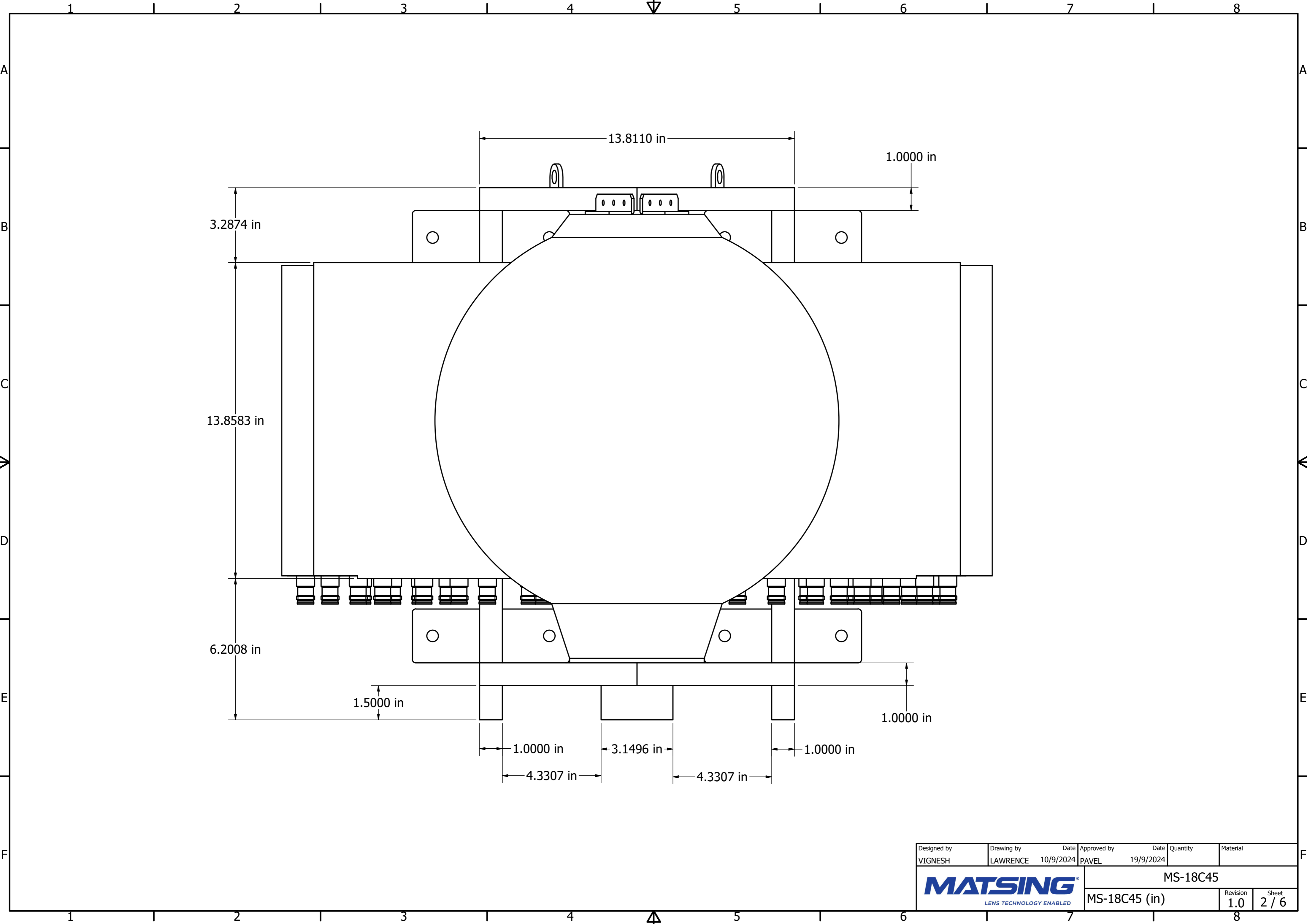
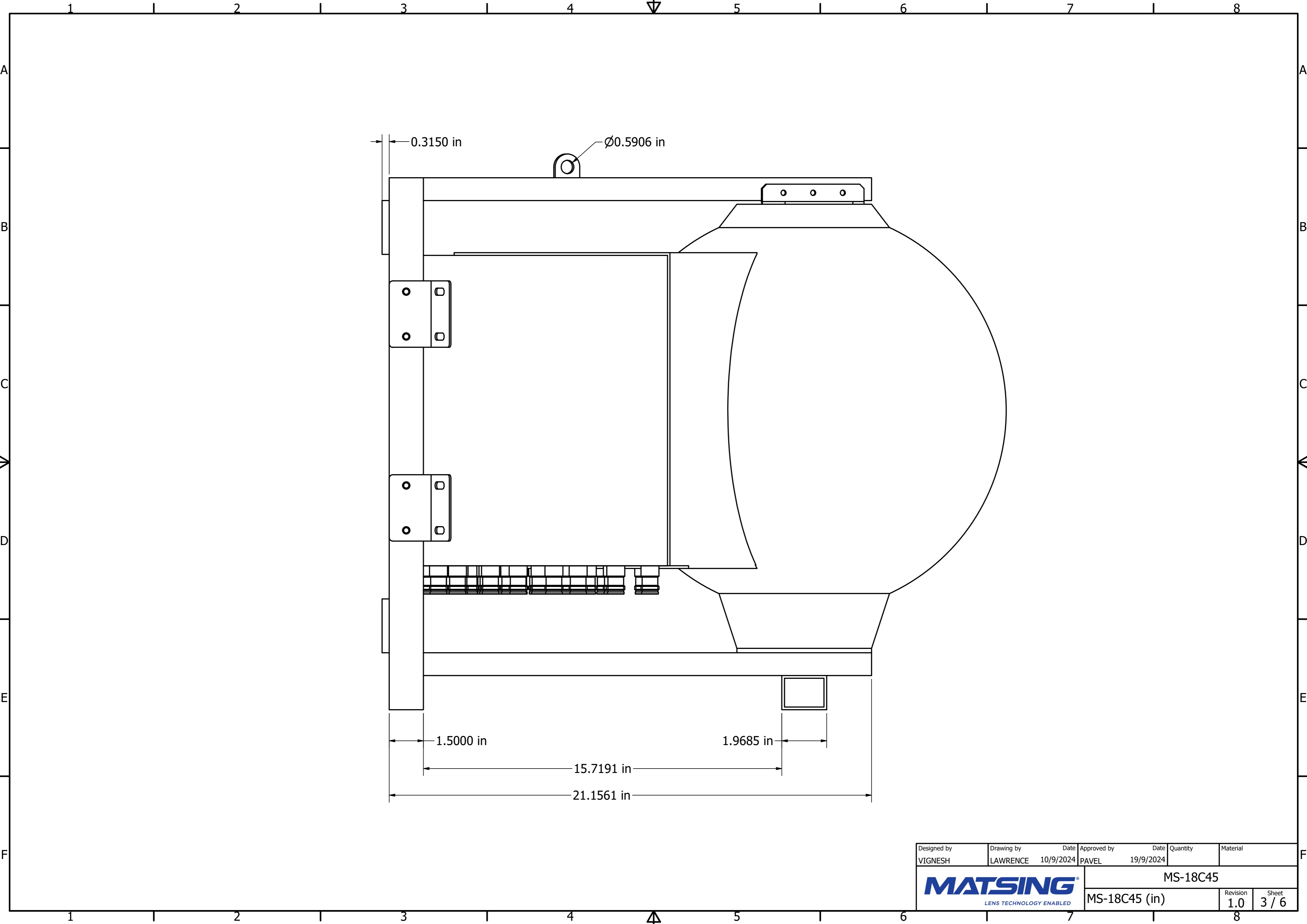


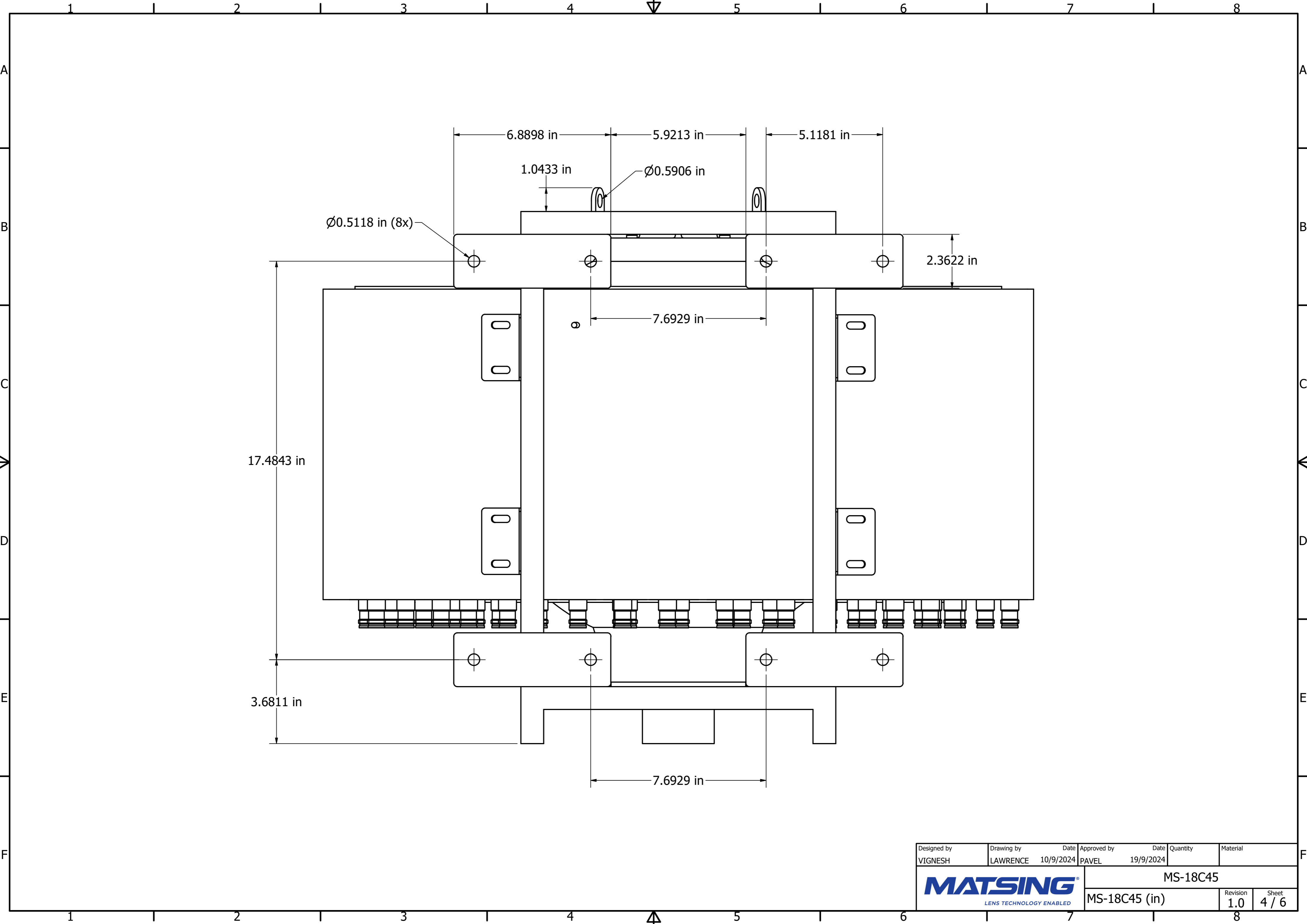
Designed by VIGNESH	Drawing by LAWRENCE	Date 10/9/2024	Approved by PAVEL	Date 19/9/2024	Quantity	Material
MATSING LENS TECHNOLOGY ENABLED						MS-18C45
MS-18C45 (in)					Revision 1.0	Sheet 1 / 6



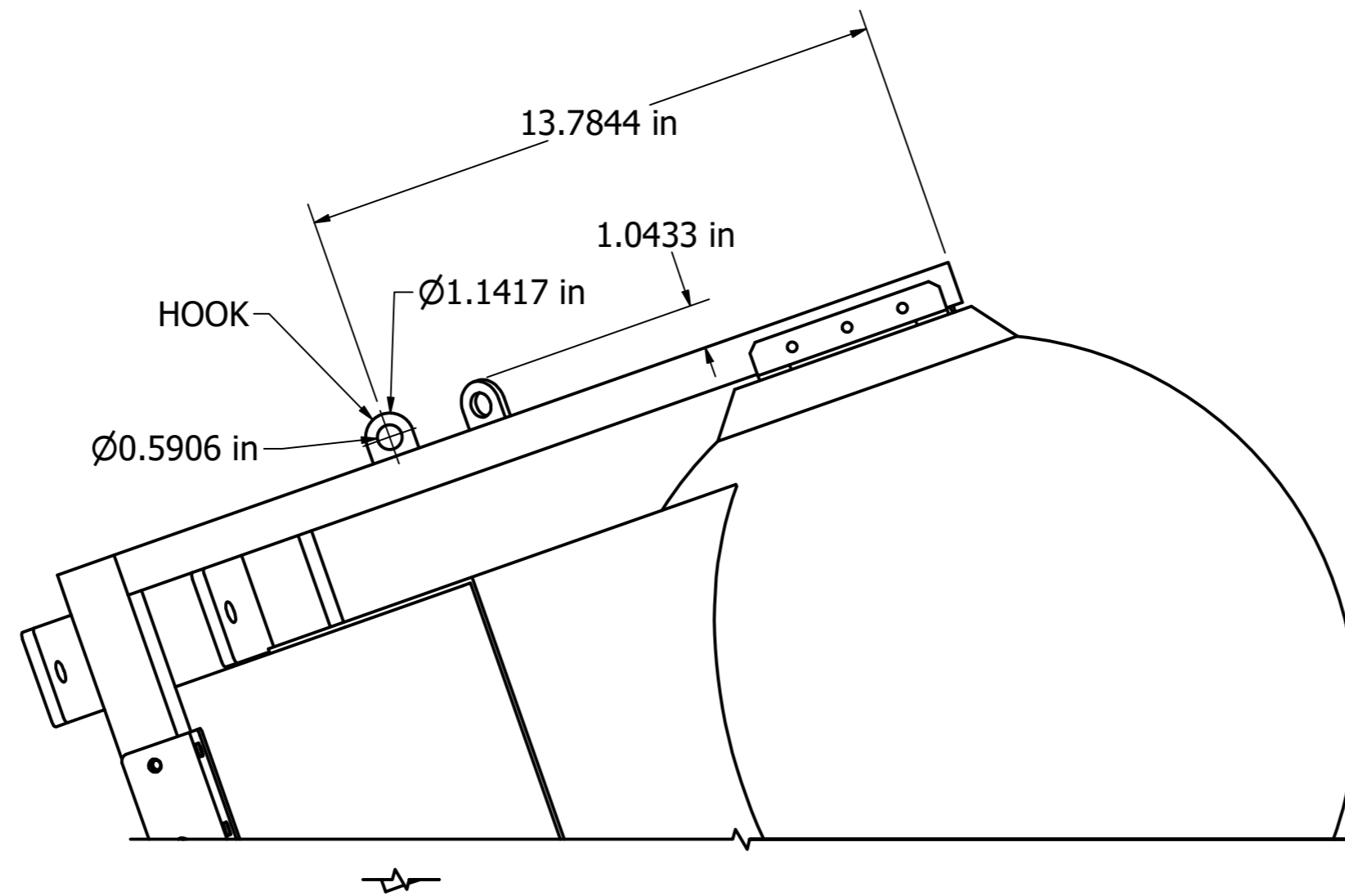
Designed by VIGNESH	Drawing by LAWRENCE	Date 10/9/2024	Approved by PAVEL	Date 19/9/2024	Quantity	Material
MATSING LENS TECHNOLOGY ENABLED						MS-18C45
MS-18C45 (in)					Revision 1.0	Sheet 2 / 6



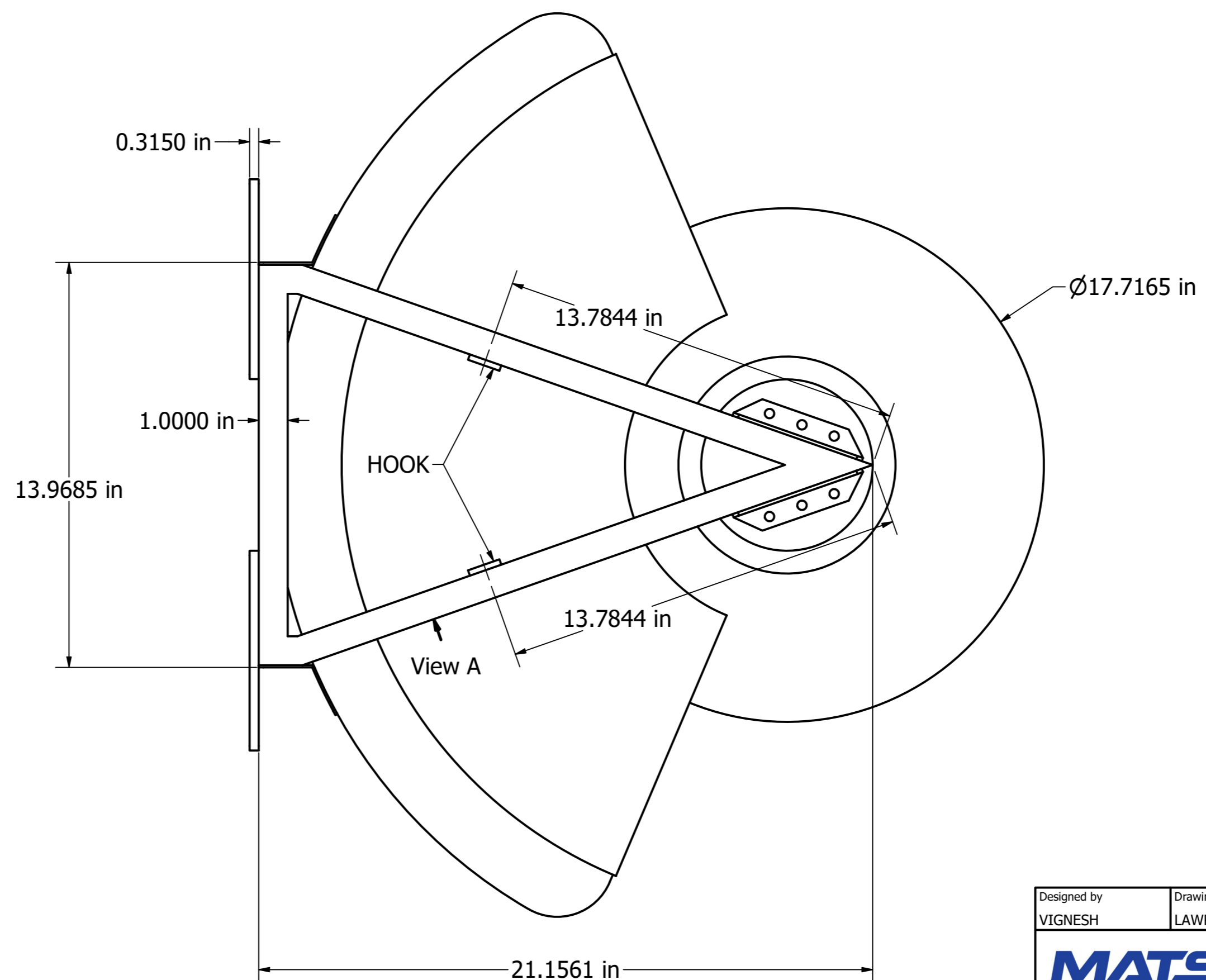
Designed by VIGNESH	Drawing by LAWRENCE	Date 10/9/2024	Approved by PAVEL	Date 19/9/2024	Quantity	Material
MATSING LENS TECHNOLOGY ENABLED						MS-18C45
MS-18C45 (in)					Revision 1.0	Sheet 3 / 6



Designed by VIGNESH	Drawing by LAWRENCE	Date 10/9/2024	Approved by PAVEL	Date 19/9/2024	Quantity	Material
MATSING LENS TECHNOLOGY ENABLED						MS-18C45
MS-18C45 (in)					Revision 1.0	Sheet 4 / 6

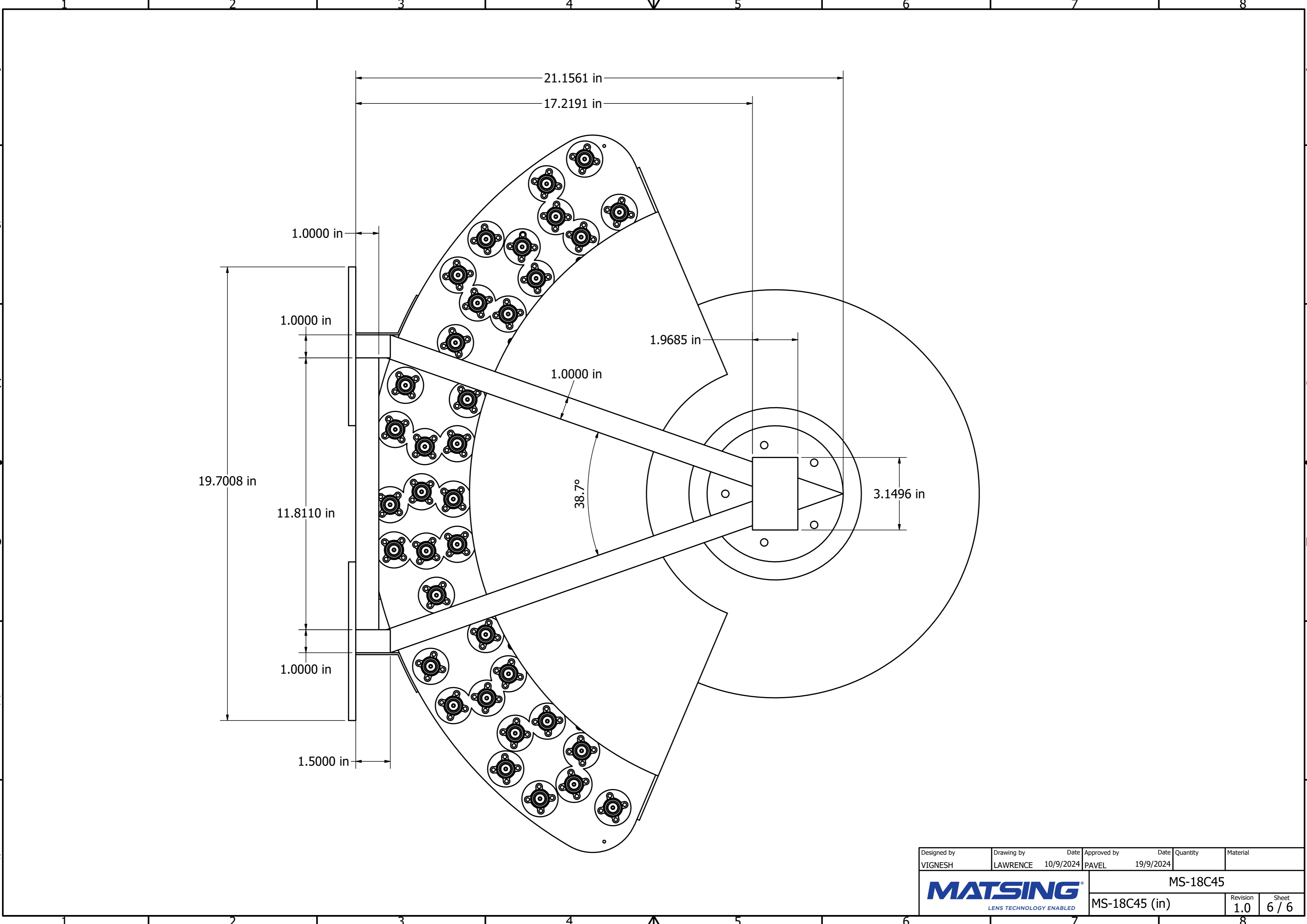


View A



View A

Designed by	Drawing by	Date	Approved by	Date	Quantity	Material
VIGNESH	LAWRENCE	10/9/2024	PAVEL	19/9/2024		
MATSING LENS TECHNOLOGY ENABLED						MS-18C45
						MS-18C45 (in)
					Revision	Sheet
					1.0	5 / 6



Designed by VIGNESH	Drawing by LAWRENCE	Date 10/9/2024	Approved by PAVEL	Date 19/9/2024	Quantity	Material
MATSING LENS TECHNOLOGY ENABLED						MS-18C45
MS-18C45 (in)					Revision 1.0	Sheet 6 / 6