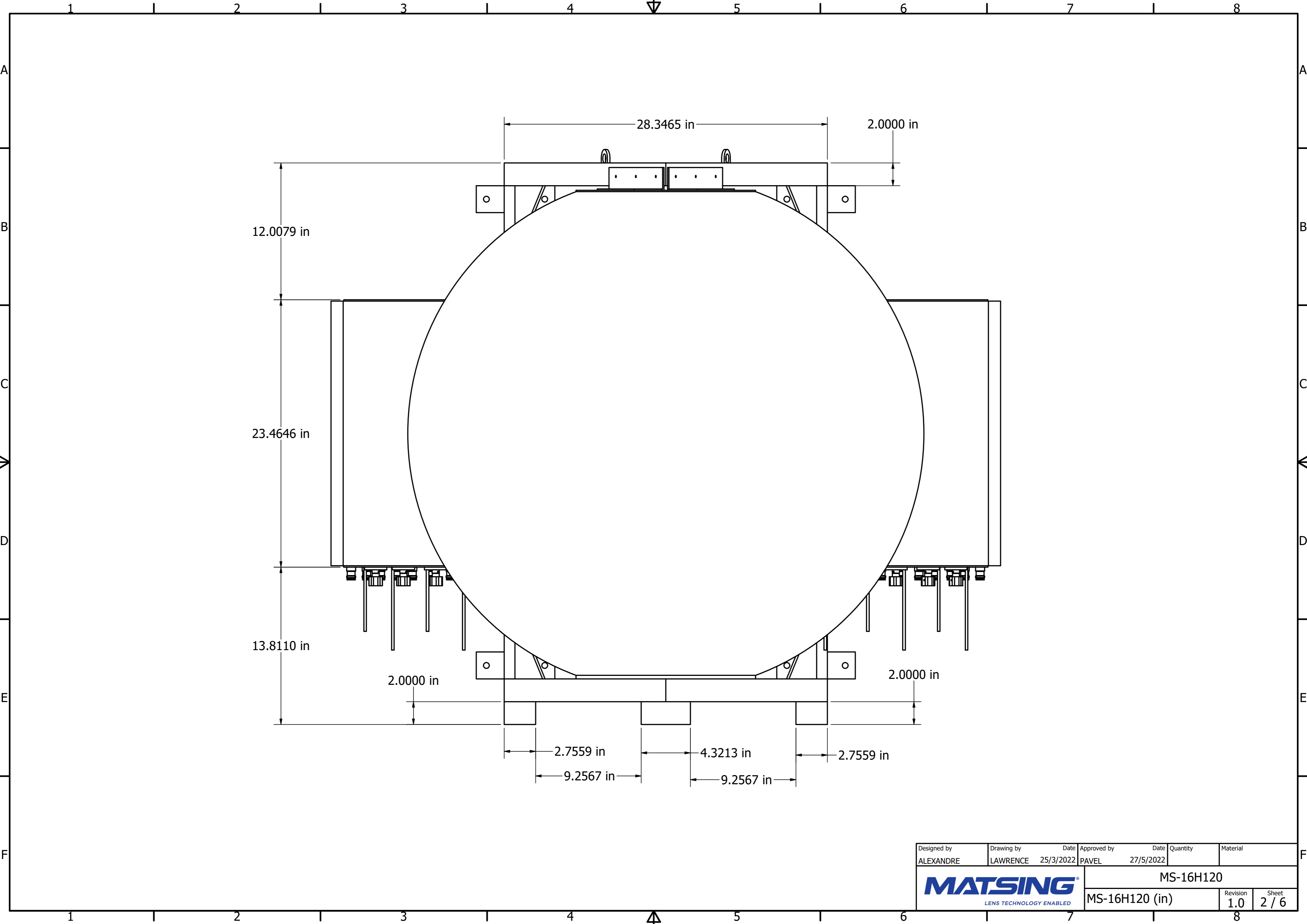

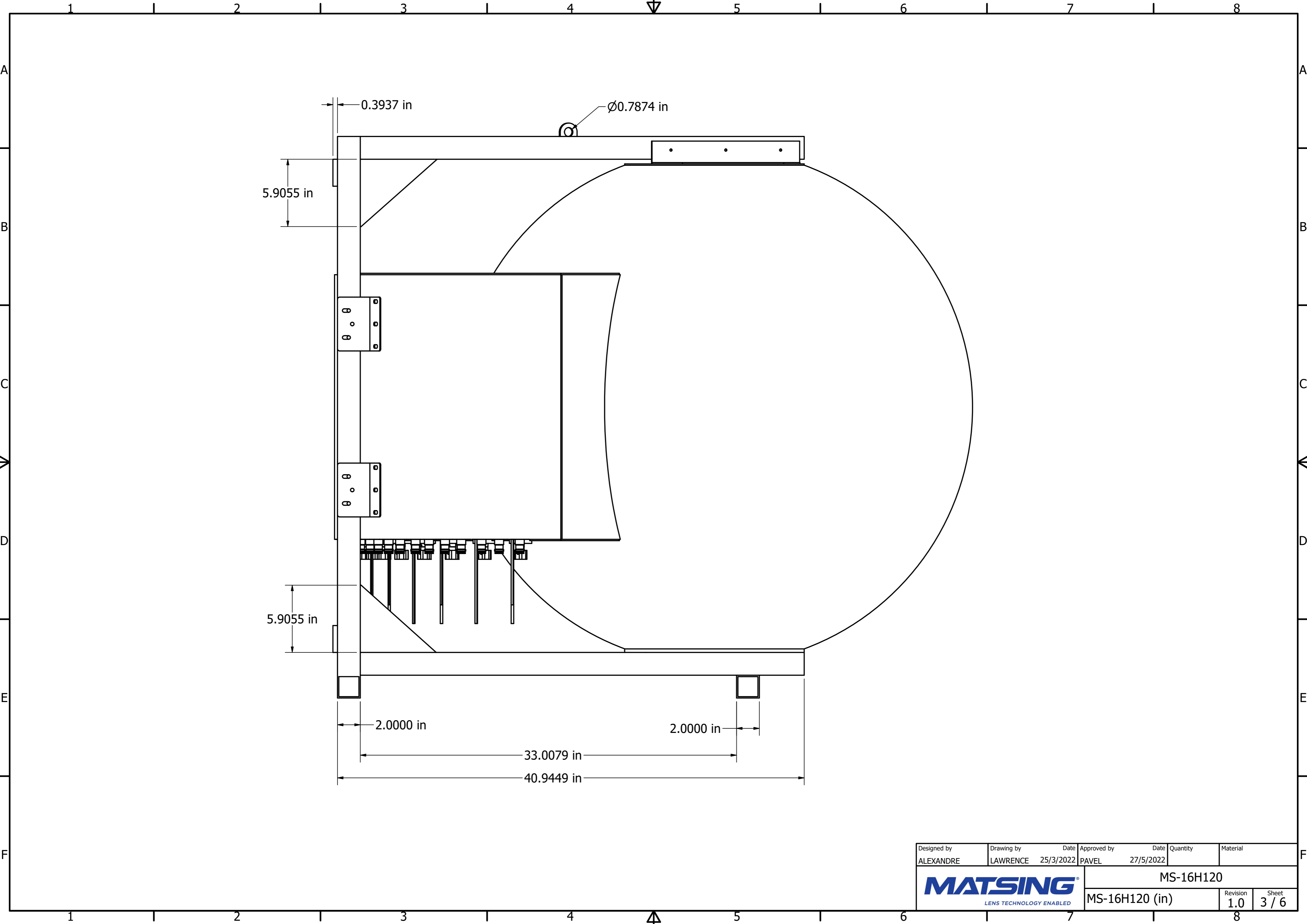


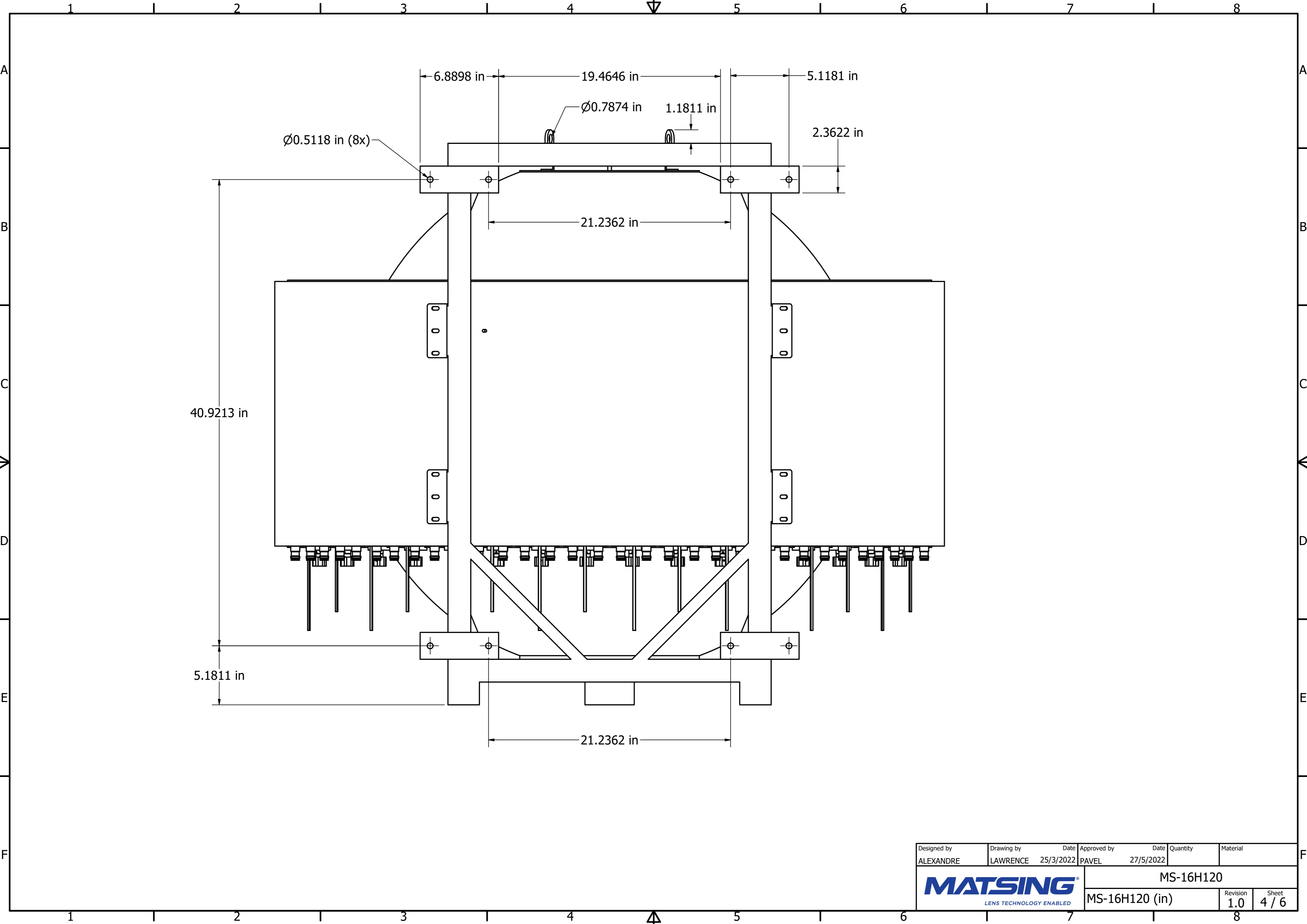
Designed by ALEXANDRE	Drawing by LAWRENCE	Date 25/3/2022	Approved by PAVEL	Date 27/5/2022	Quantity	Material	
MATSING LENS TECHNOLOGY ENABLED						MS-16H120	
MS-16H120 (in)						Revision 1.0	Sheet 1 / 6



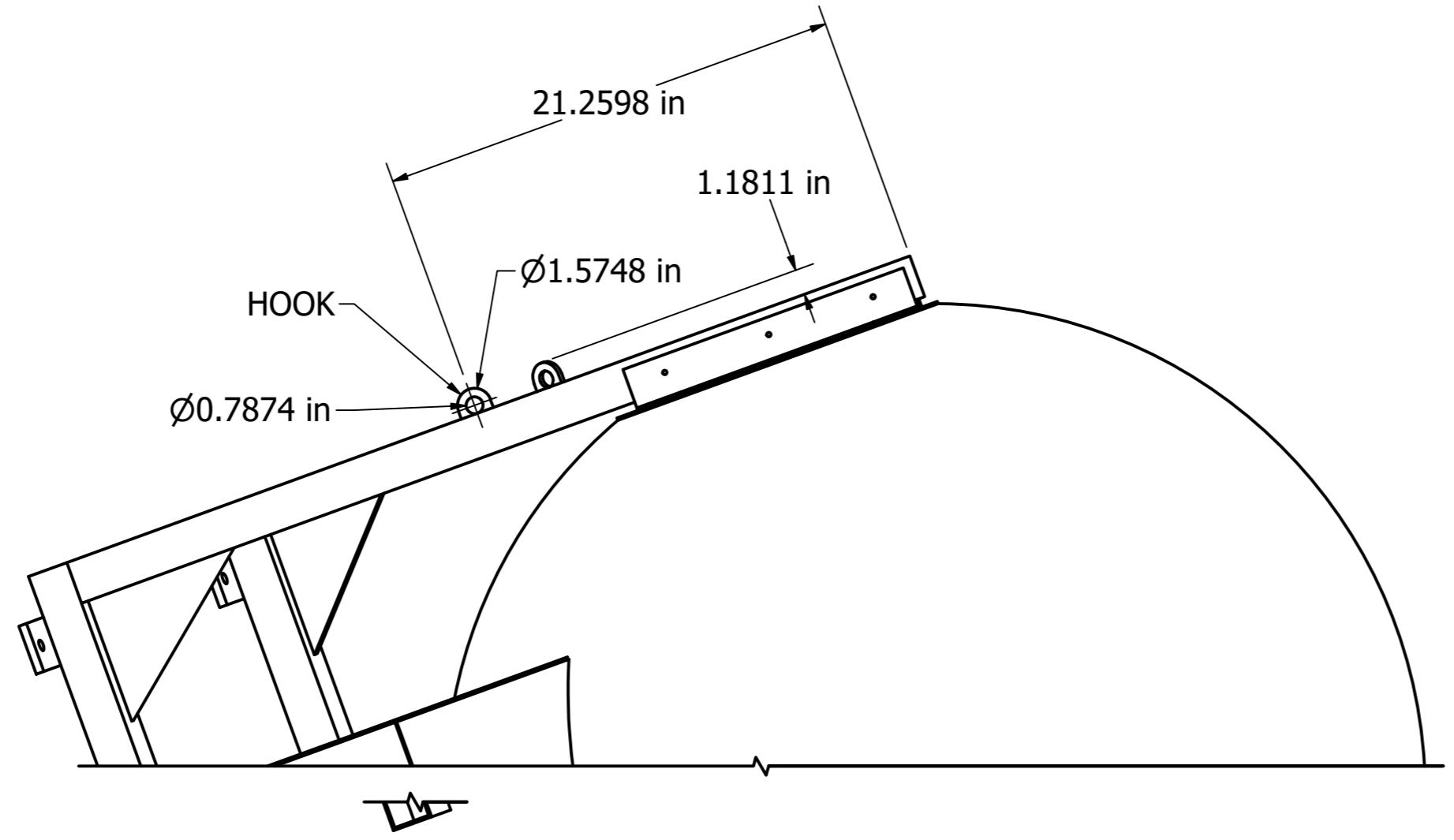
Designed by ALEXANDRE	Drawing by LAWRENCE	Date 25/3/2022	Approved by PAVEL	Date 27/5/2022	Quantity	Material
						MS-16H120
						MS-16H120 (in)



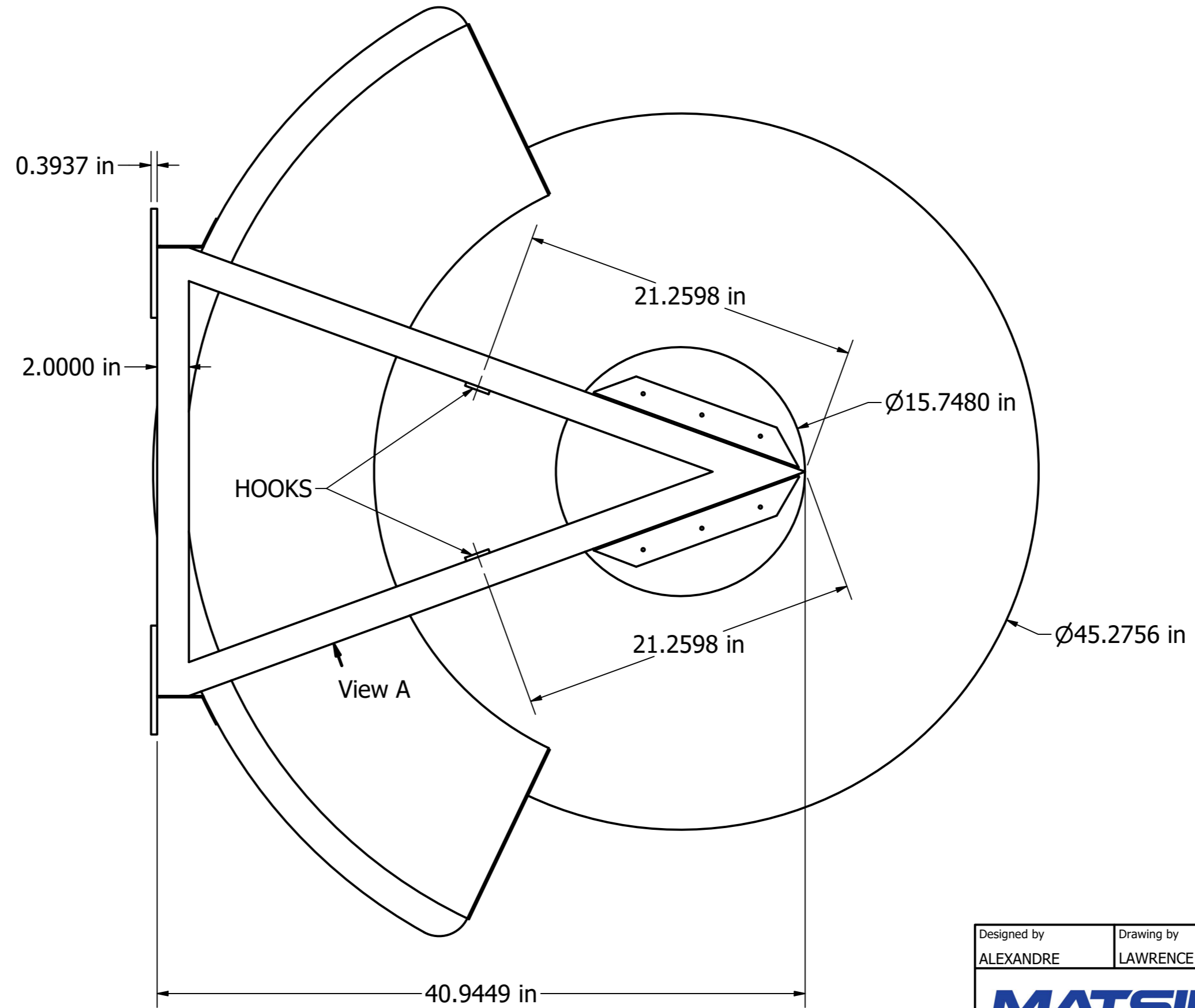
Designed by ALEXANDRE	Drawing by LAWRENCE	Date 25/3/2022	Approved by PAVEL	Date 27/5/2022	Quantity	Material
MATSING LENS TECHNOLOGY ENABLED						MS-16H120
MS-16H120 (in)					Revision 1.0	Sheet 3 / 6



Designed by ALEXANDRE	Drawing by LAWRENCE	Date 25/3/2022	Approved by PAVEL	Date 27/5/2022	Quantity	Material
MATSING LENS TECHNOLOGY ENABLED						MS-16H120
MS-16H120 (in)					Revision 1.0	Sheet 4 / 6

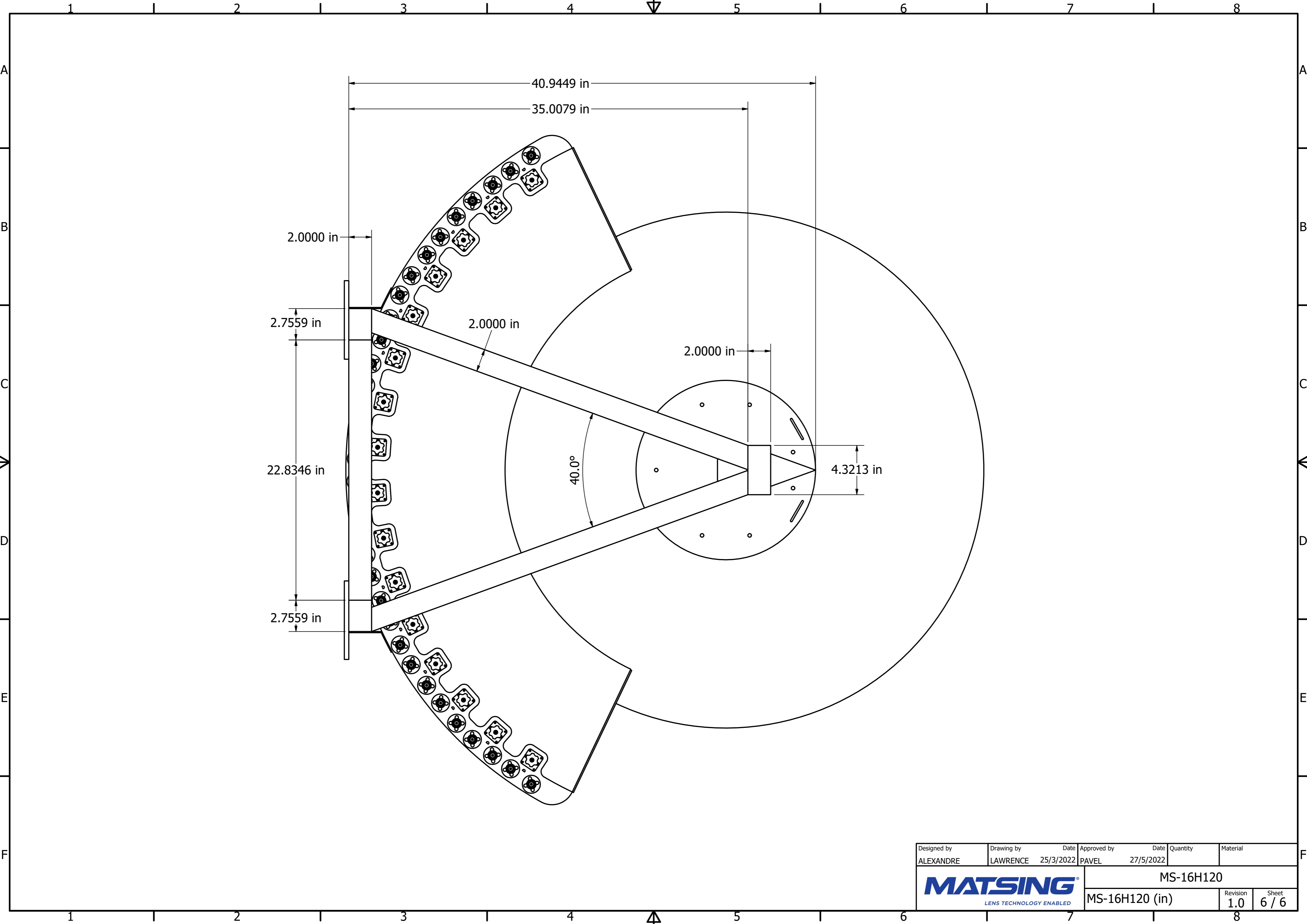


View A



View A

Designed by	Drawing by	Date	Approved by	Date	Quantity	Material
ALEXANDRE	LAWRENCE	25/3/2022	PAVEL	27/5/2022		
MATSING LENS TECHNOLOGY ENABLED						MS-16H120
						MS-16H120 (in)
					Revision	Sheet
					1.0	5 / 6



Designed by	Drawing by	Date	Approved by	Date	Quantity	Material
ALEXANDRE	LAWRENCE	25/3/2022	PAVEL	27/5/2022		
MATSING LENS TECHNOLOGY ENABLED						MS-16H120
						MS-16H120 (in)
					Revision	Sheet
					1.0	6 / 6