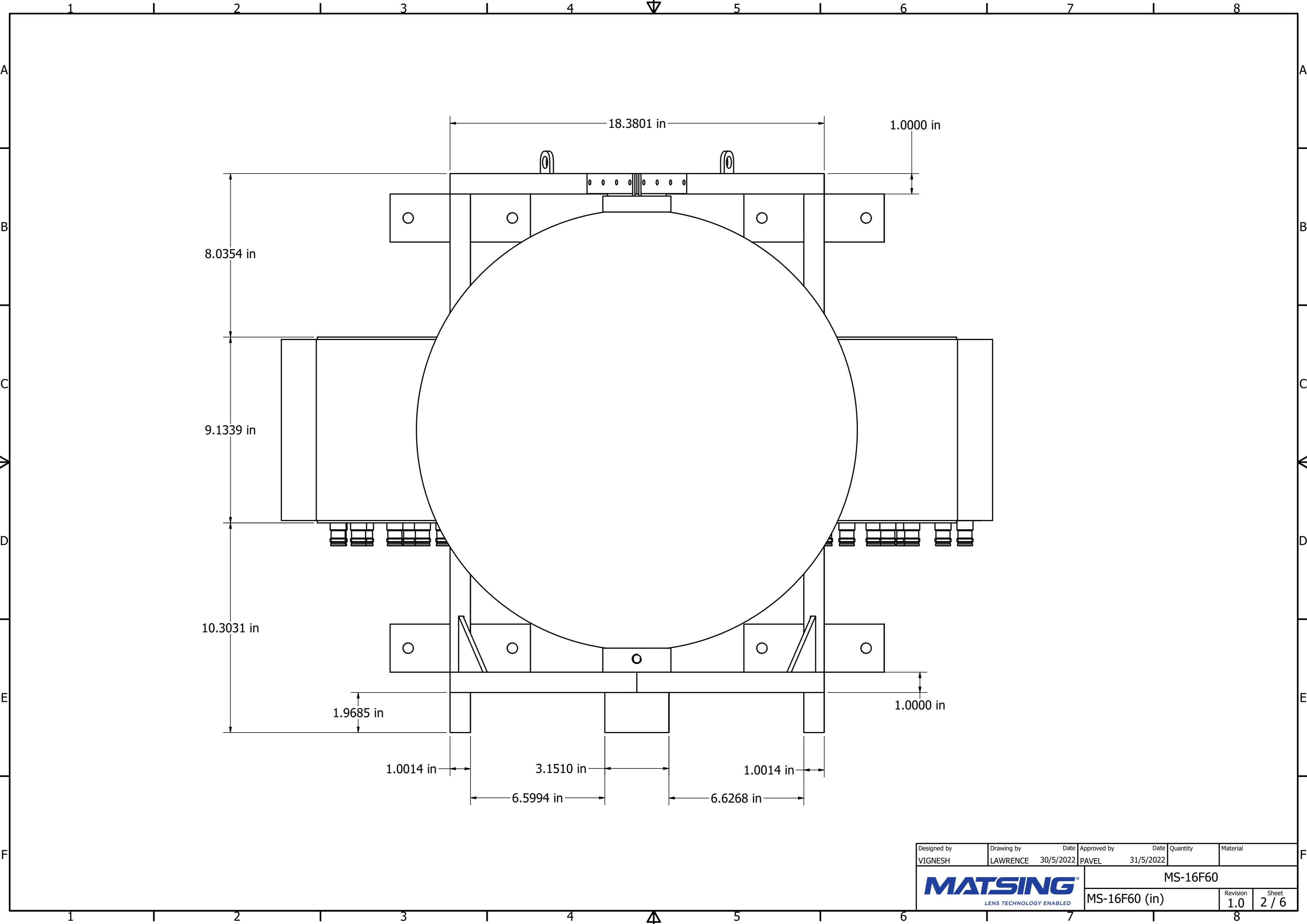
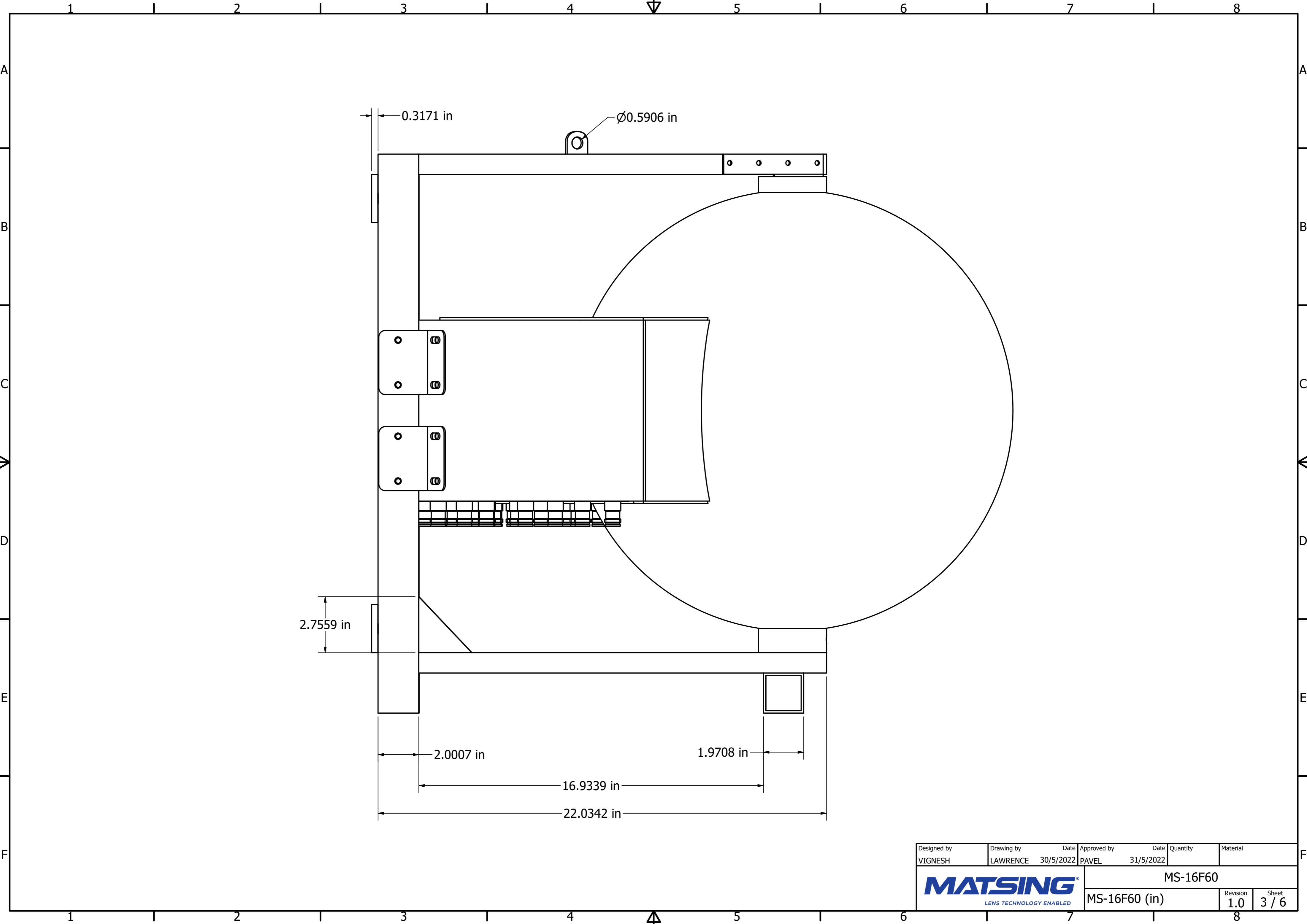


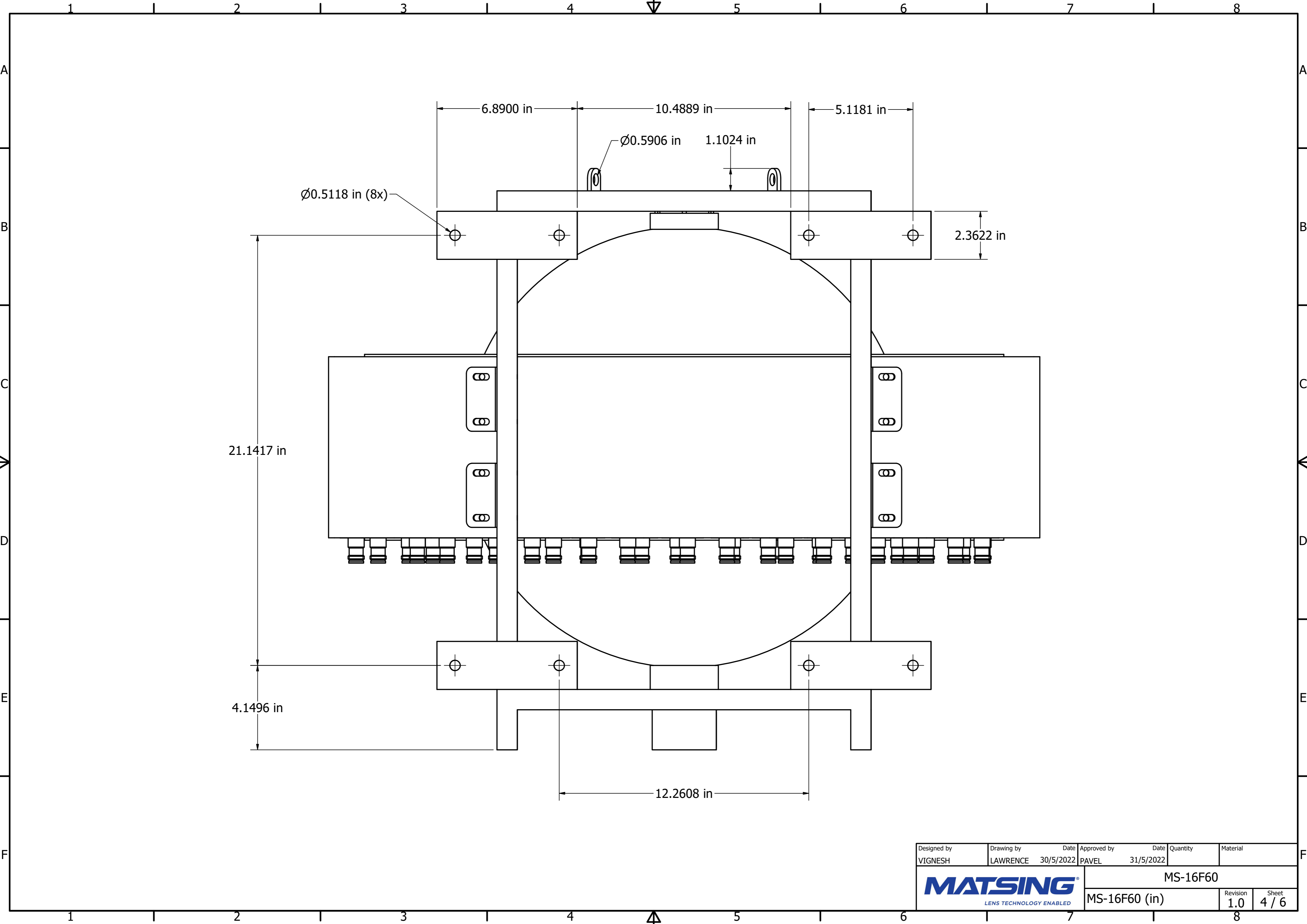
Designed by VIGNESH	Drawing by LAWRENCE	Date 30/5/2022	Approved by PAVEL	Date 31/5/2022	Quantity	Material
MATSING LENS TECHNOLOGY ENABLED						MS-16F60
MS-16F60 (in)					Revision 1.0	Sheet 1 / 6



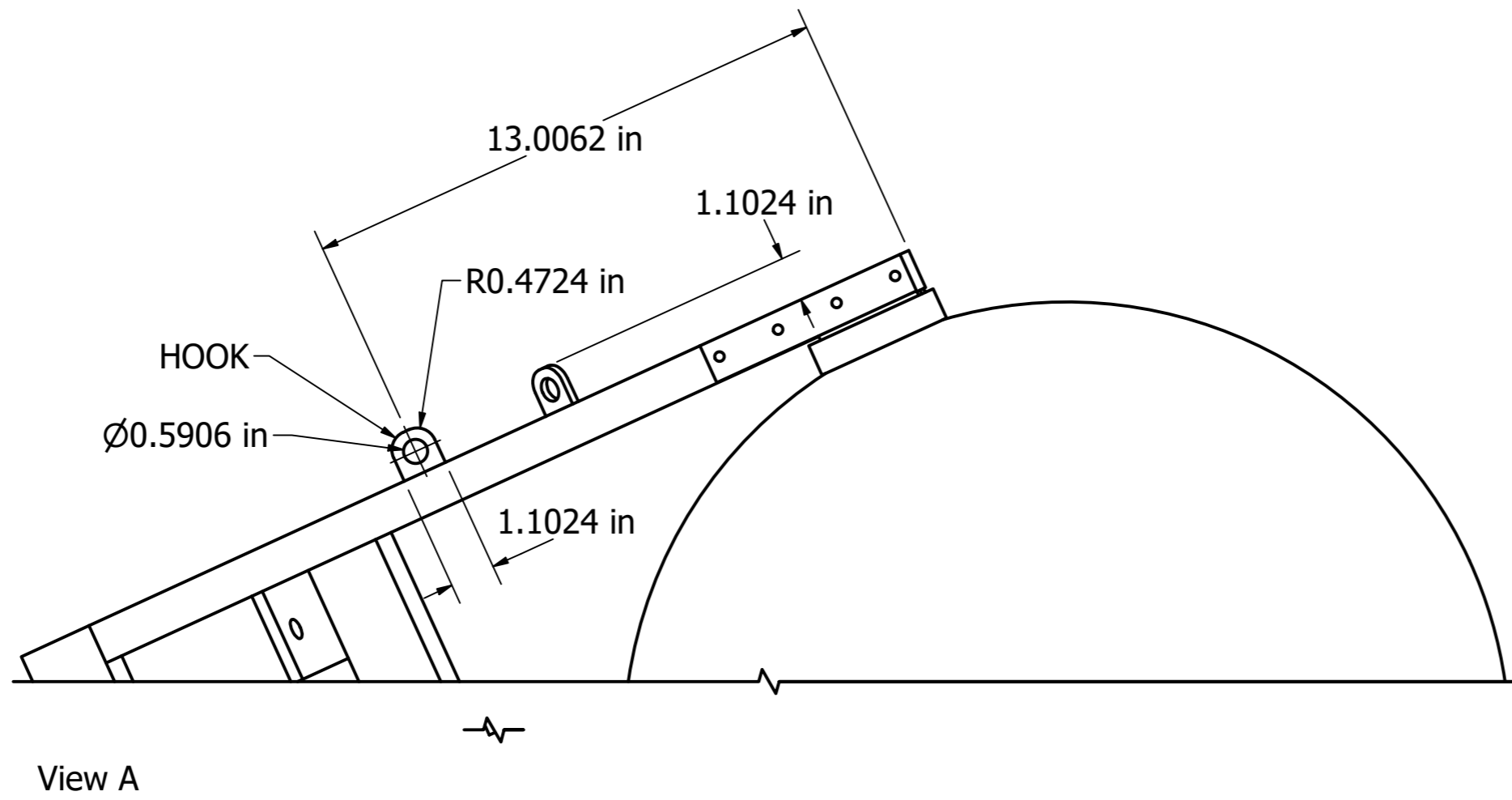
Designed by VIGNESH	Drawing by LAWRENCE	Date 30/5/2022	Approved by PAVEL	Date 31/5/2022	Quantity	Material
MATSING LENS TECHNOLOGY ENABLED						MS-16F60
MS-16F60 (in)					Revision 1.0	Sheet 2 / 6



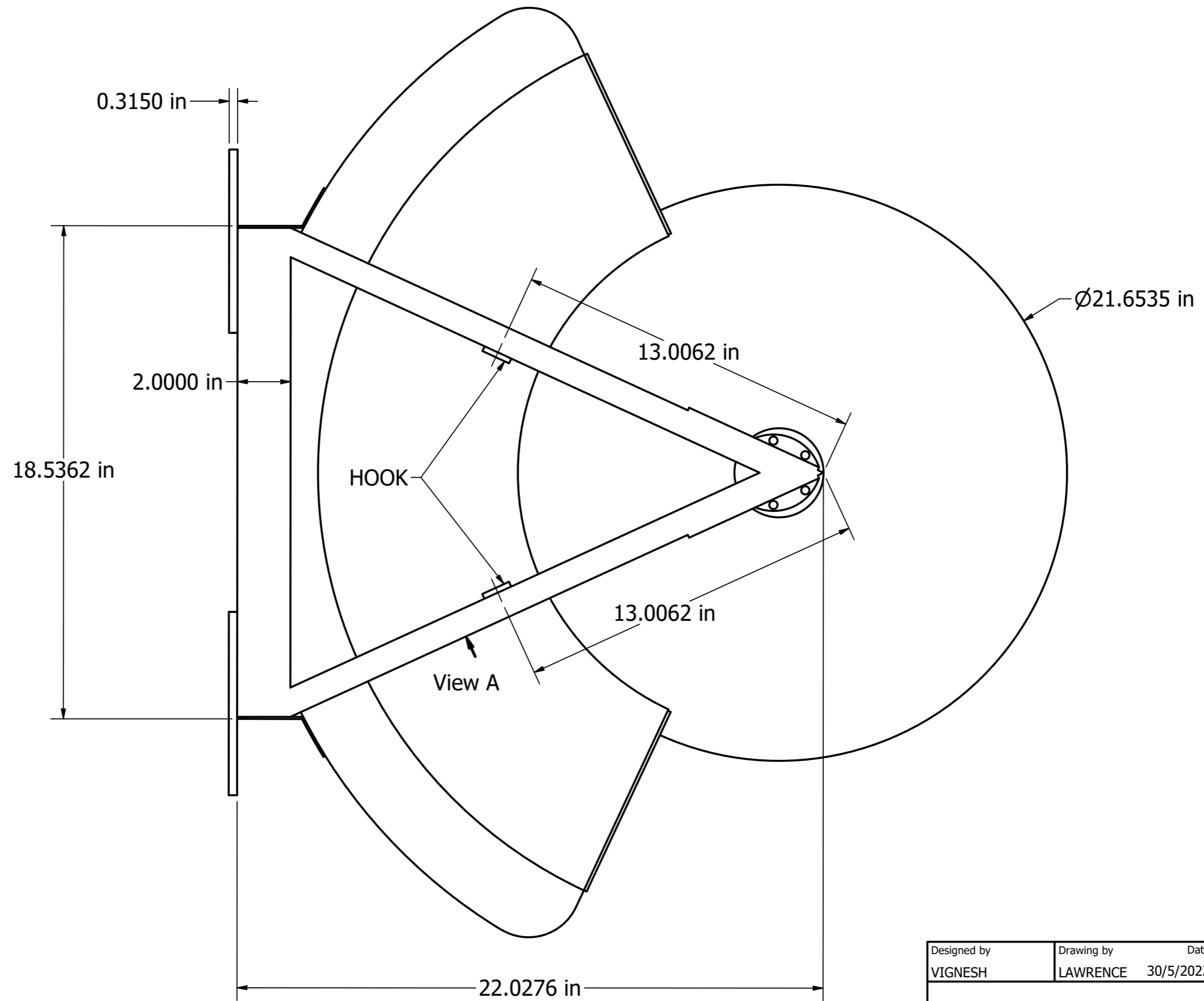
Designed by VIGNESH	Drawing by LAWRENCE	Date 30/5/2022	Approved by PAVEL	Date 31/5/2022	Quantity	Material
MATSING LENS TECHNOLOGY ENABLED						MS-16F60
MS-16F60 (in)					Revision 1.0	Sheet 3 / 6



Designed by VIGNESH	Drawing by LAWRENCE	Date 30/5/2022	Approved by PAVEL	Date 31/5/2022	Quantity	Material
MATSING LENS TECHNOLOGY ENABLED						MS-16F60
MS-16F60 (in)					Revision 1.0	Sheet 4 / 6

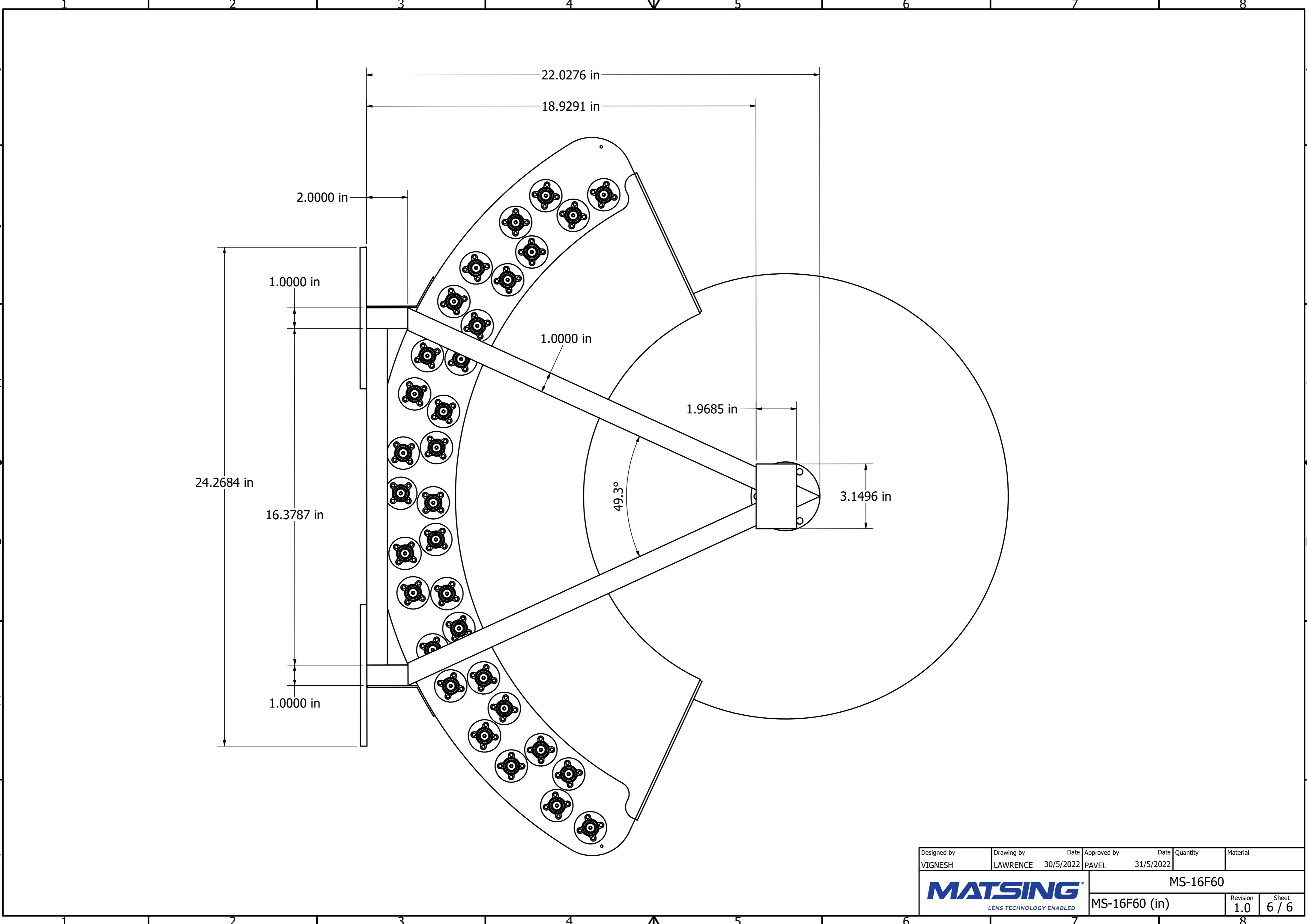


View A



View A

Designed by	Drawing by	Date	Approved by	Date	Quantity	Material
VIGNESH	LAWRENCE	30/5/2022	PAVEL	31/5/2022		
MATSING LENS TECHNOLOGY ENABLED						MS-16F60
						MS-16F60 (in)
					Revision	Sheet
					1.0	5 / 6



Designed by VIGNESH	Drawing by LAWRENCE	Date 30/5/2022	Approved by PAVEL	Date 31/5/2022	Quantity	Material
MATSING LENS TECHNOLOGY ENABLED						MS-16F60
MS-16F60 (in)					Revision 1.0	Sheet 6 / 6