

Wind Load

Antenna MS-12L180

Antenna Model Number

MS-12L180

Velocity [km/h]

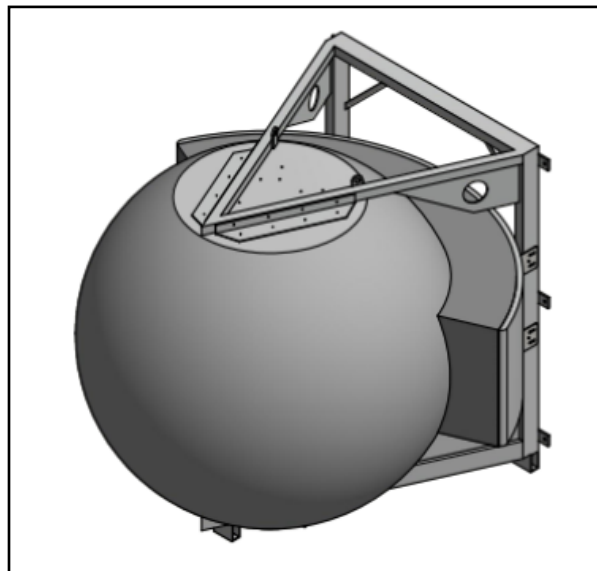
150

Dimensions: H x W x D [mm]

1874 x 2137 x 2070

Spherical Lens Diameter [mm]

1800



Results

	Frontal	Lateral
Antenna Drag Coefficient	0.63	0.67
Frontal Wind Load [N/lbf]	2046/459	2321/522