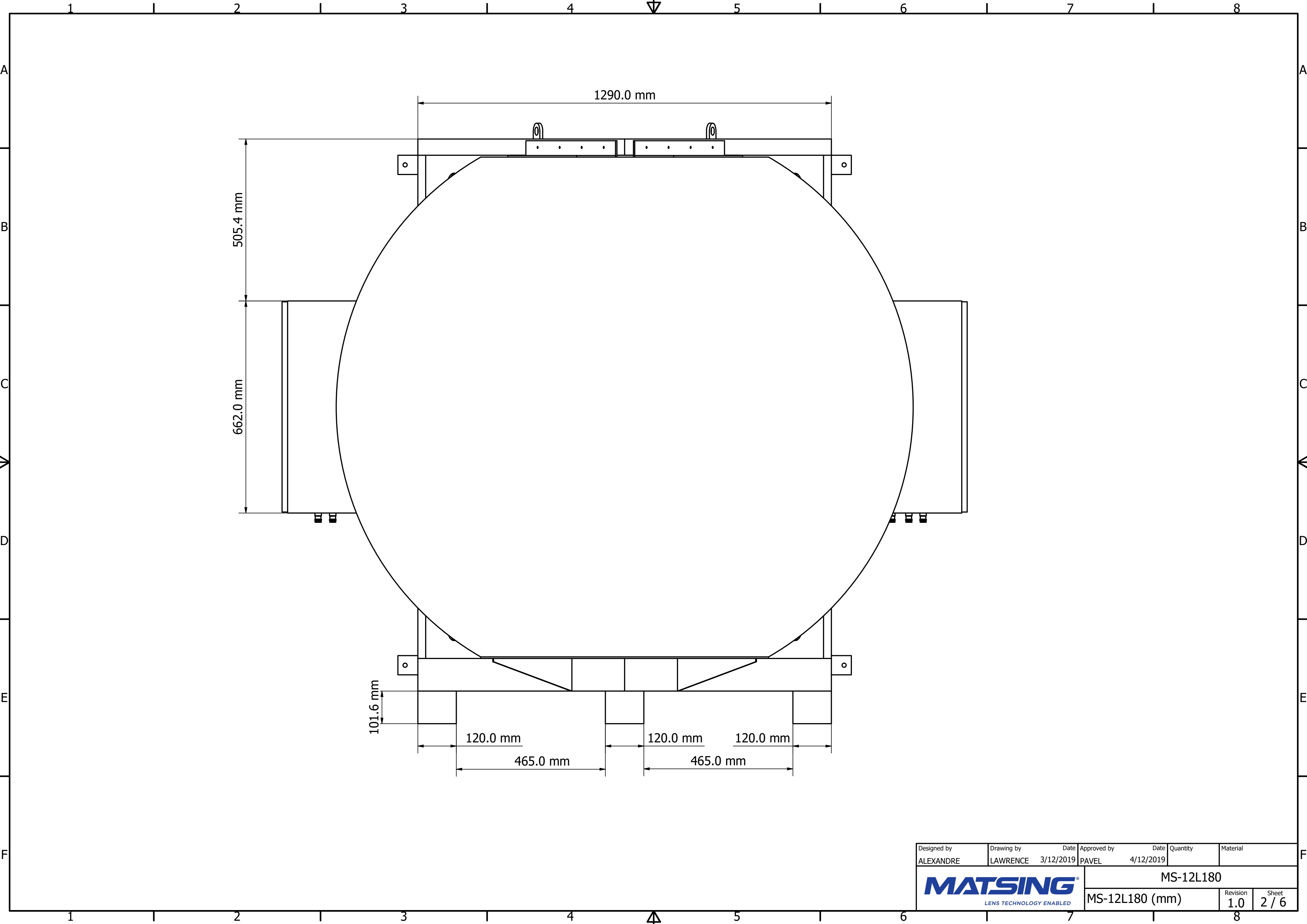
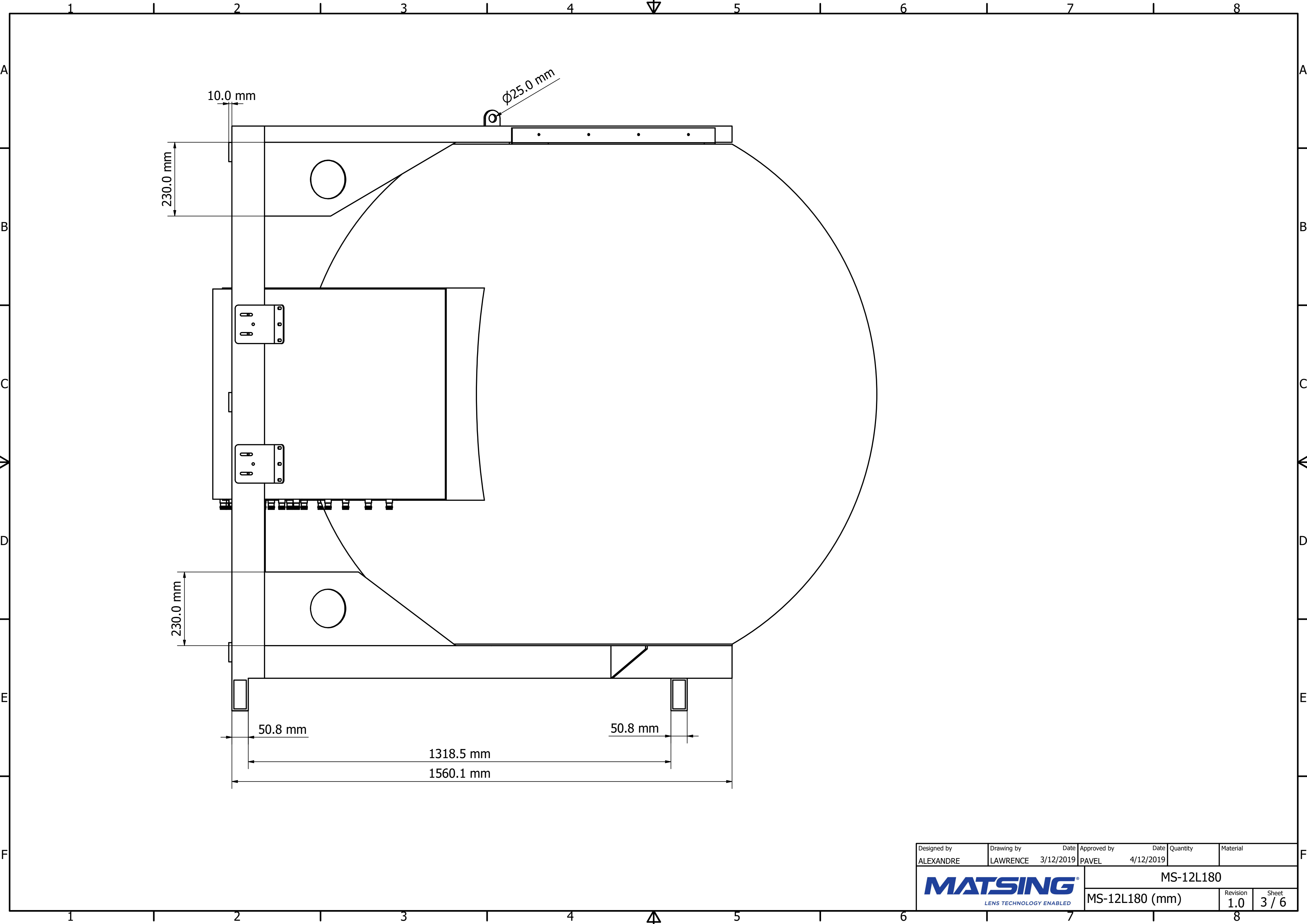


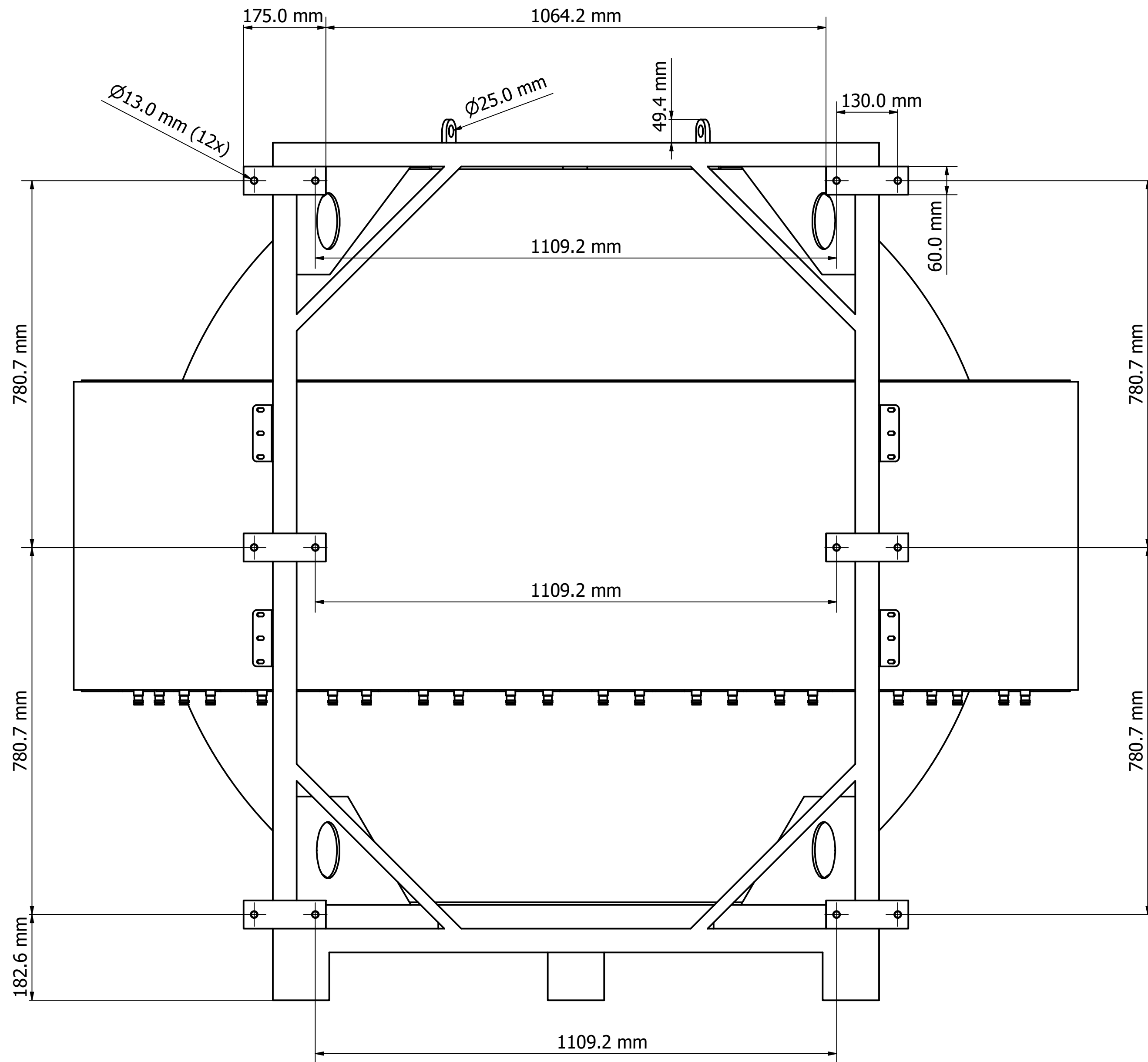
Designed by ALEXANDRE	Drawing by LAWRENCE	Date 3/12/2019	Approved by PAVEL	Date 4/12/2019	Quantity	Material
MATSING LENS TECHNOLOGY ENABLED						MS-12L180
					MS-12L180 (mm)	Revision 1.0
					Sheet 1 / 6	



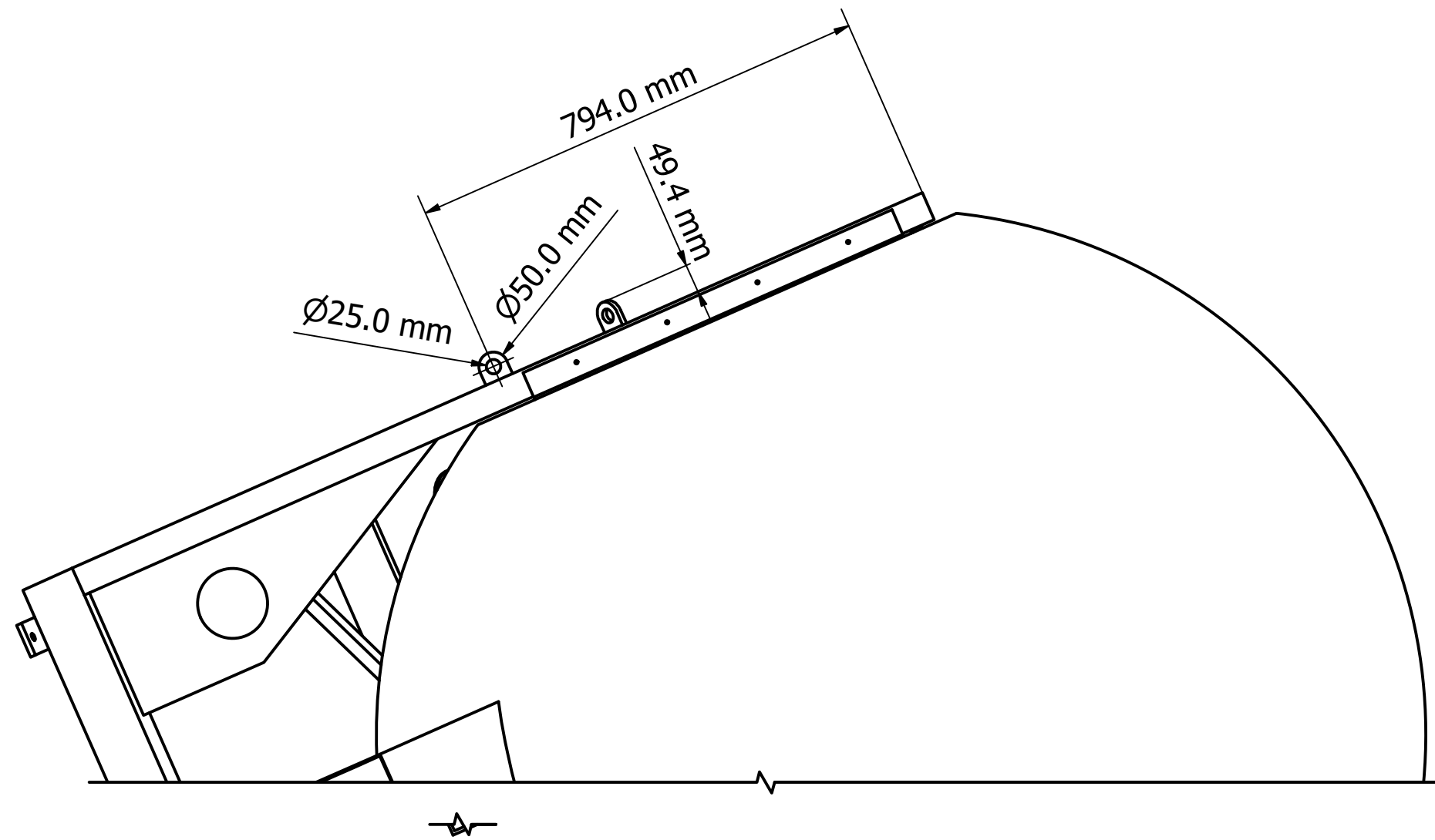
Designed by ALEXANDRE	Drawing by LAWRENCE	Date 3/12/2019	Approved by PAVEL	Date 4/12/2019	Quantity	Material
MATSING LENS TECHNOLOGY ENABLED						MS-12L180
MS-12L180 (mm)					Revision 1.0	Sheet 2 / 6



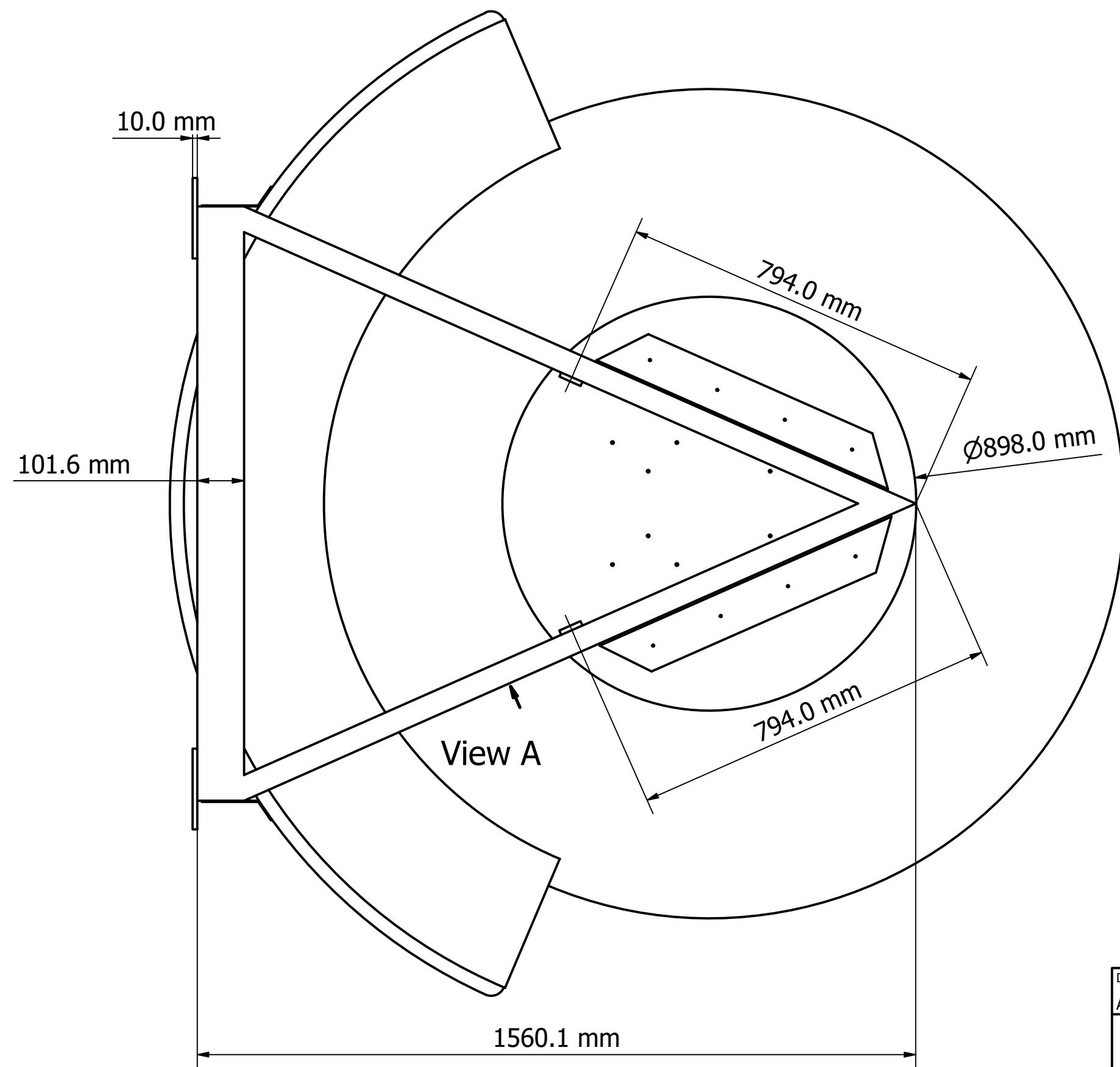
Designed by ALEXANDRE	Drawing by LAWRENCE	Date 3/12/2019	Approved by PAVEL	Date 4/12/2019	Quantity	Material
MATSING LENS TECHNOLOGY ENABLED						MS-12L180
MS-12L180 (mm)					Revision 1.0	Sheet 3 / 6



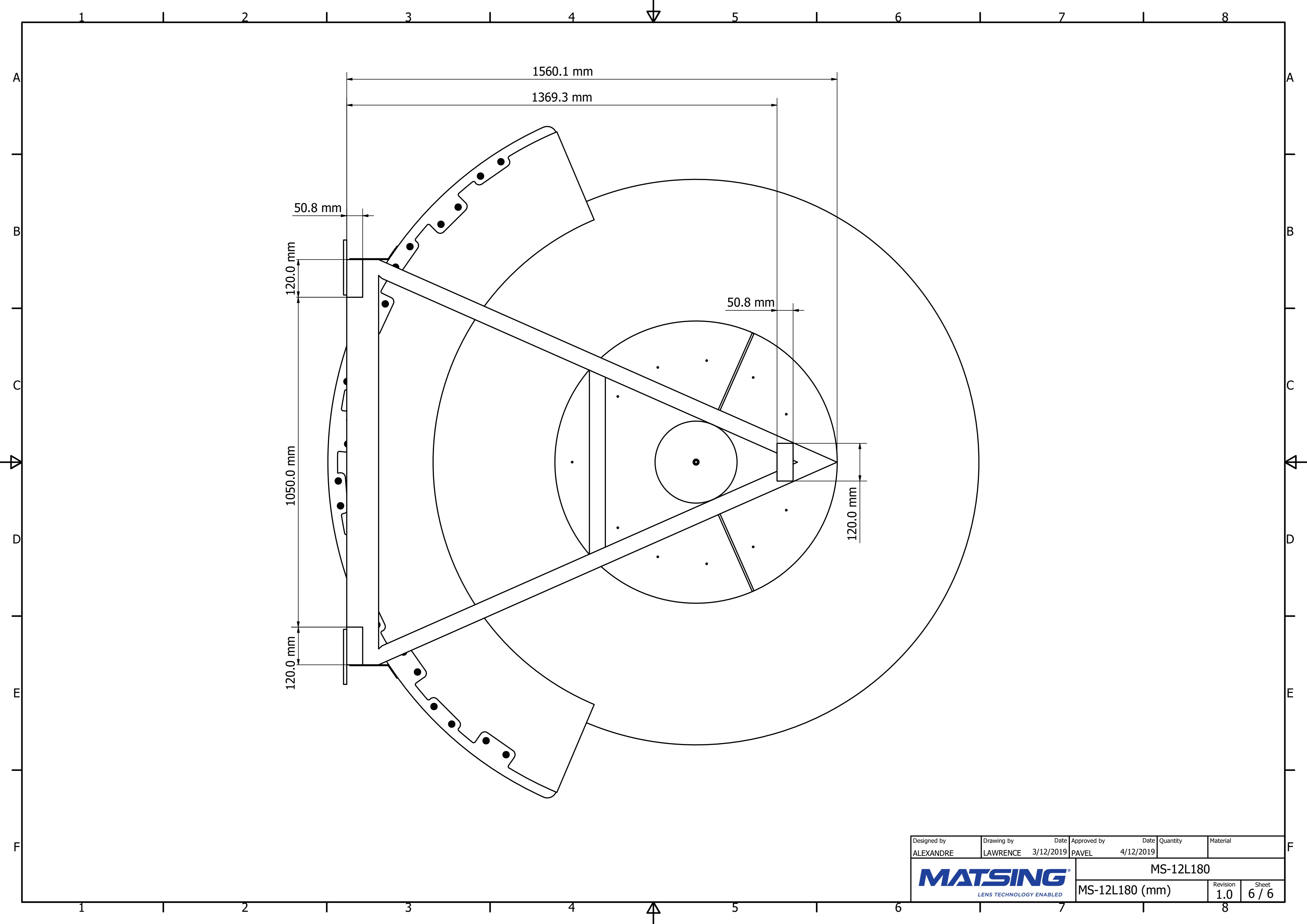
Designed by ALEXANDRE	Drawing by LAWRENCE	Date 3/12/2019	Approved by PAVEL	Date 4/12/2019	Quantity	Material
MATSING LENS TECHNOLOGY ENABLED						MS-12L180
MS-12L180 (mm)					Revision 1.0	Sheet 4 / 6



View A



Designed by	Drawing by	Date	Approved by	Date	Quantity	Material		
ALEXANDRE	LAWRENCE	3/12/2019	PAVEL	4/12/2019				
MATSING LENS TECHNOLOGY ENABLED						MS-12L180		
						MS-12L180 (mm)	Revision 1.0	Sheet 5 / 6



Designed by ALEXANDRE	Drawing by LAWRENCE	Date 3/12/2019	Approved by PAVEL	Date 4/12/2019	Quantity	Material
MATSING LENS TECHNOLOGY ENABLED						MS-12L180
MS-12L180 (mm)					Revision 1.0	Sheet 6 / 6