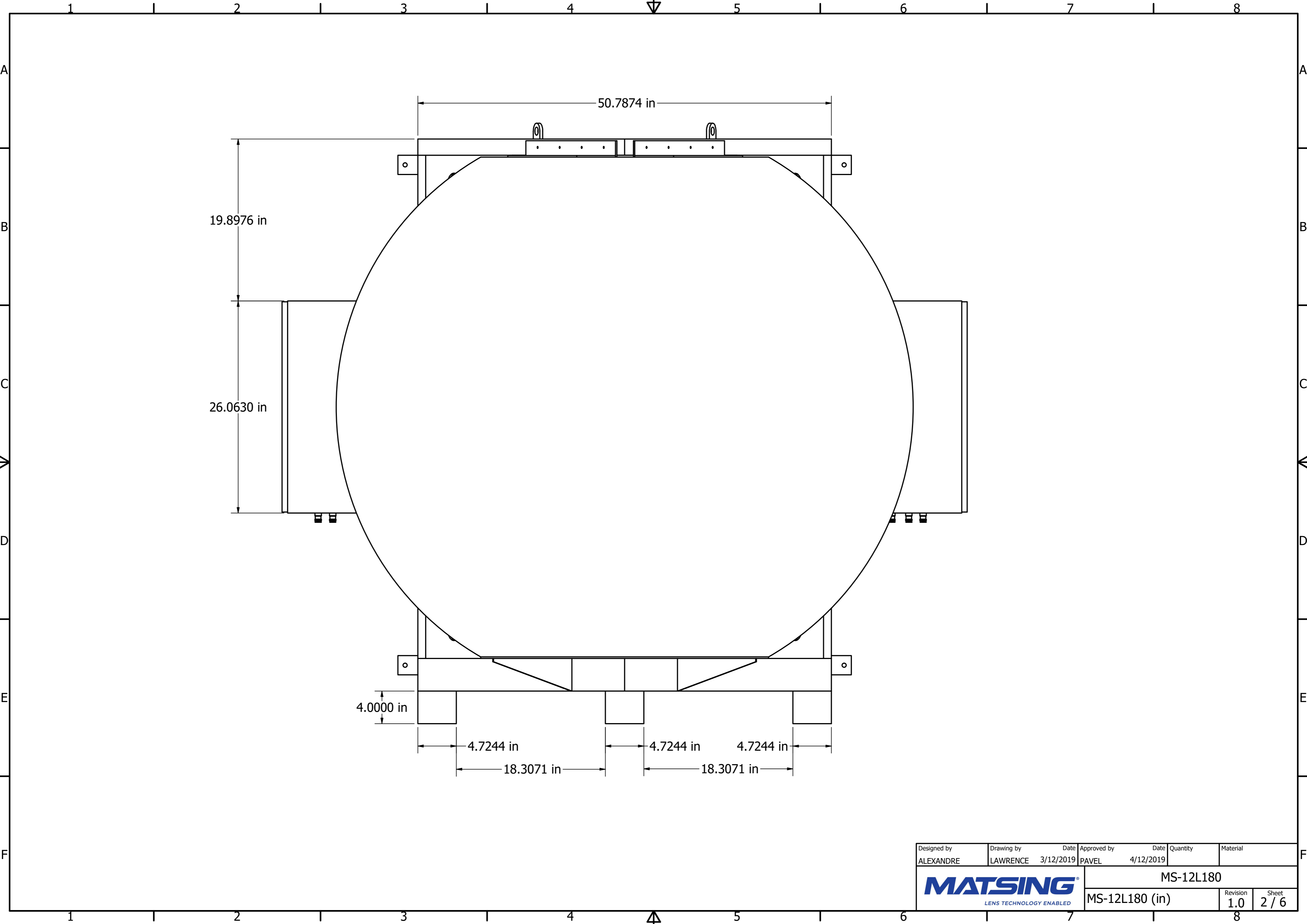
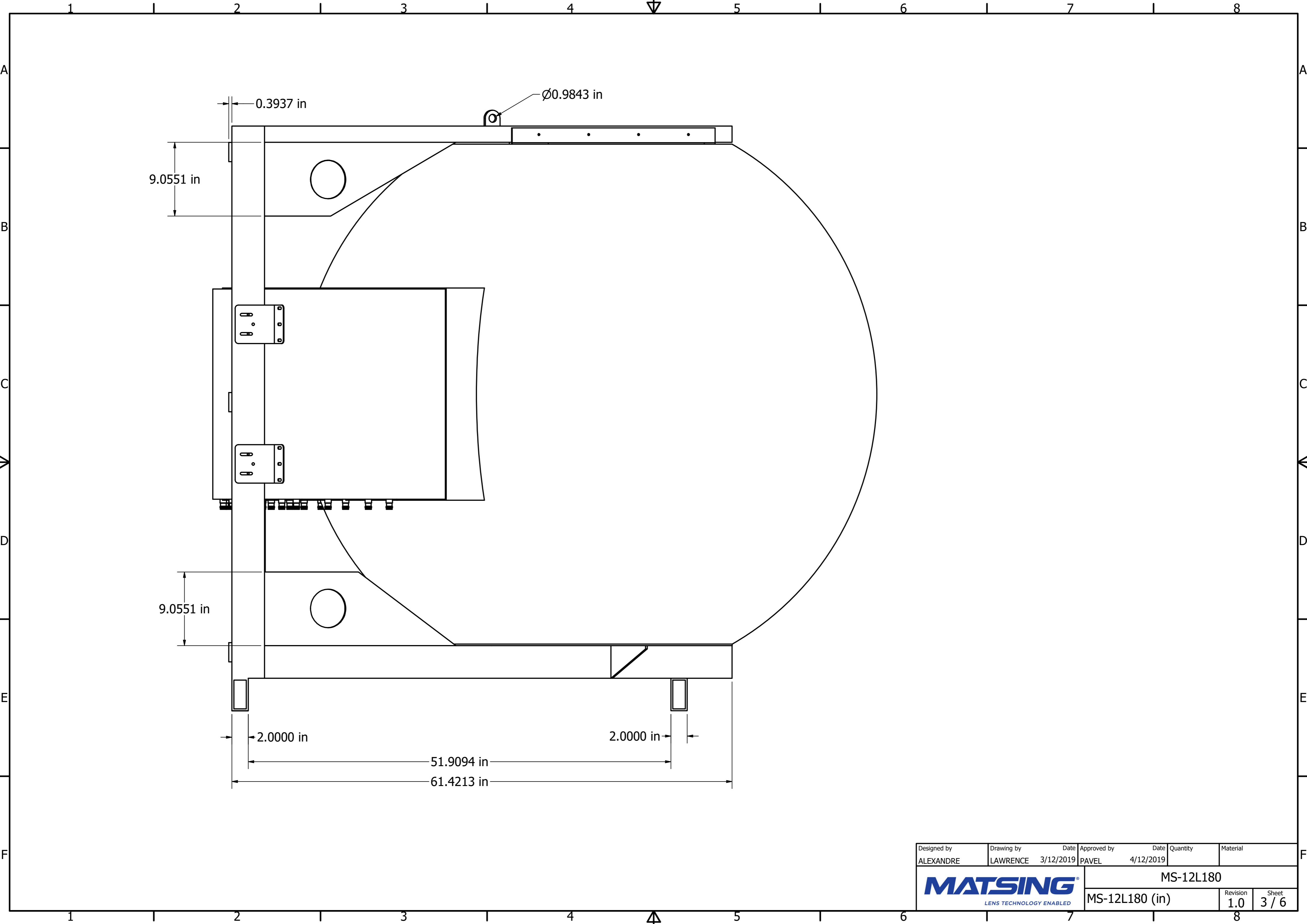


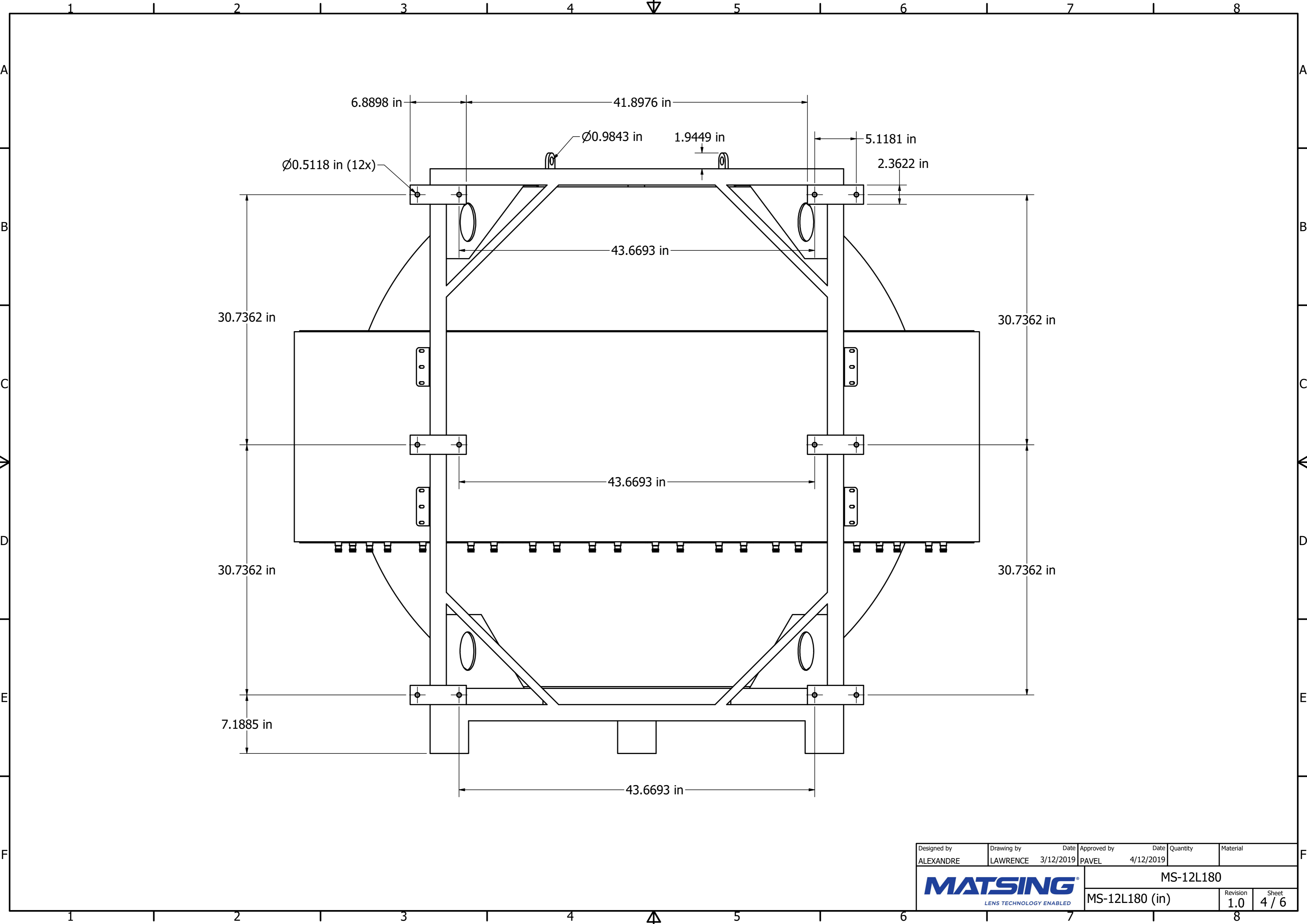
Designed by	Drawing by	Date	Approved by	Date	Quantity	Material	
ALEXANDRE	LAWRENCE	3/12/2019	PAVEL	4/12/2019			
MATSING LENS TECHNOLOGY ENABLED							
MS-12L180						Revision	Sheet
MS-12L180 (in)						1.0	1 / 6



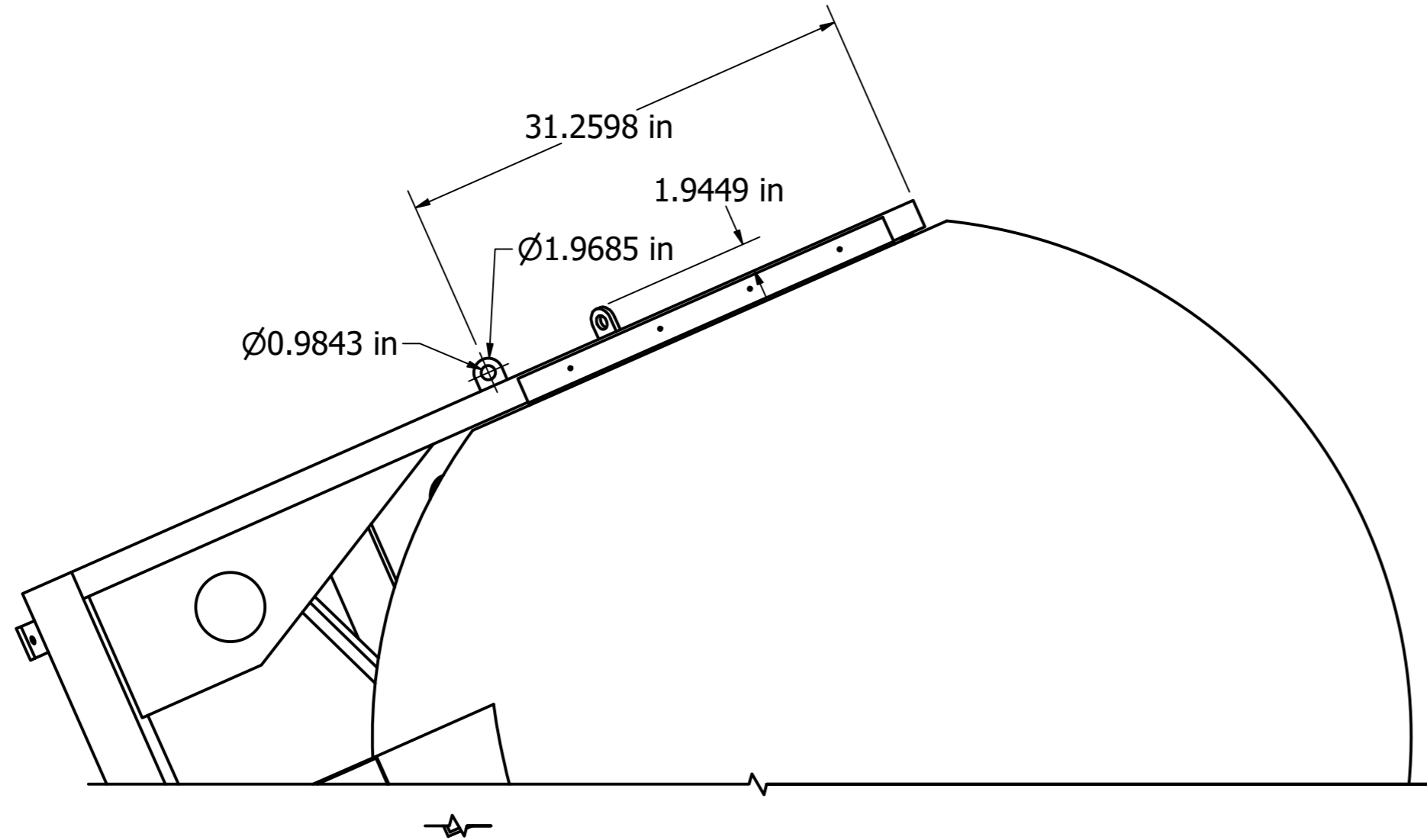
Designed by ALEXANDRE	Drawing by LAWRENCE	Date 3/12/2019	Approved by PAVEL	Date 4/12/2019	Quantity	Material
MATSING LENS TECHNOLOGY ENABLED						MS-12L180
MS-12L180 (in)					Revision 1.0	Sheet 2 / 6



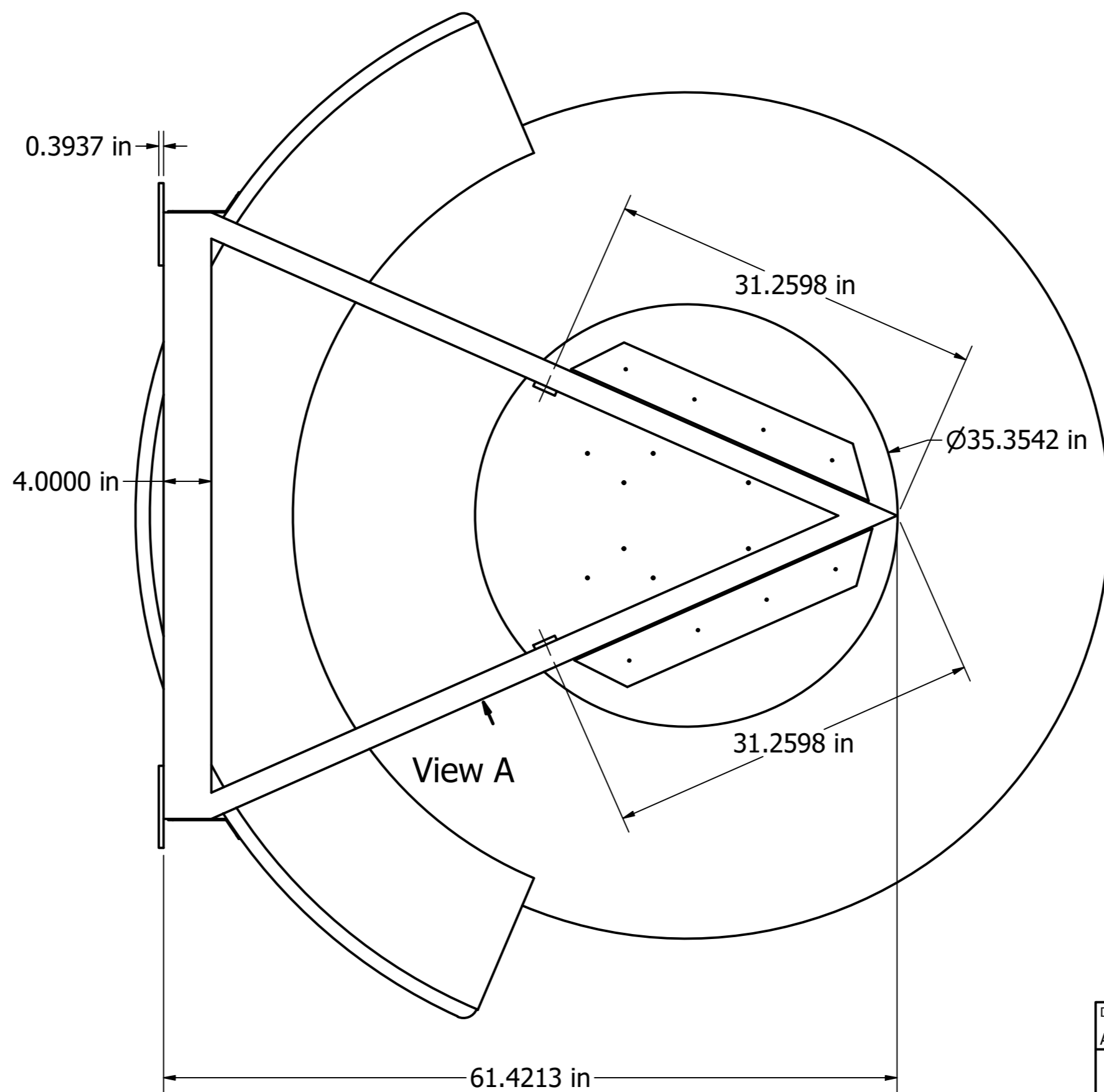
Designed by ALEXANDRE	Drawing by LAWRENCE	Date 3/12/2019	Approved by PAVEL	Date 4/12/2019	Quantity	Material
MATSING LENS TECHNOLOGY ENABLED						MS-12L180
MS-12L180 (in)					Revision 1.0	Sheet 3 / 6



Designed by ALEXANDRE	Drawing by LAWRENCE	Date 3/12/2019	Approved by PAVEL	Date 4/12/2019	Quantity	Material
MATSING LENS TECHNOLOGY ENABLED						MS-12L180
MS-12L180 (in)					Revision 1.0	Sheet 4 / 6

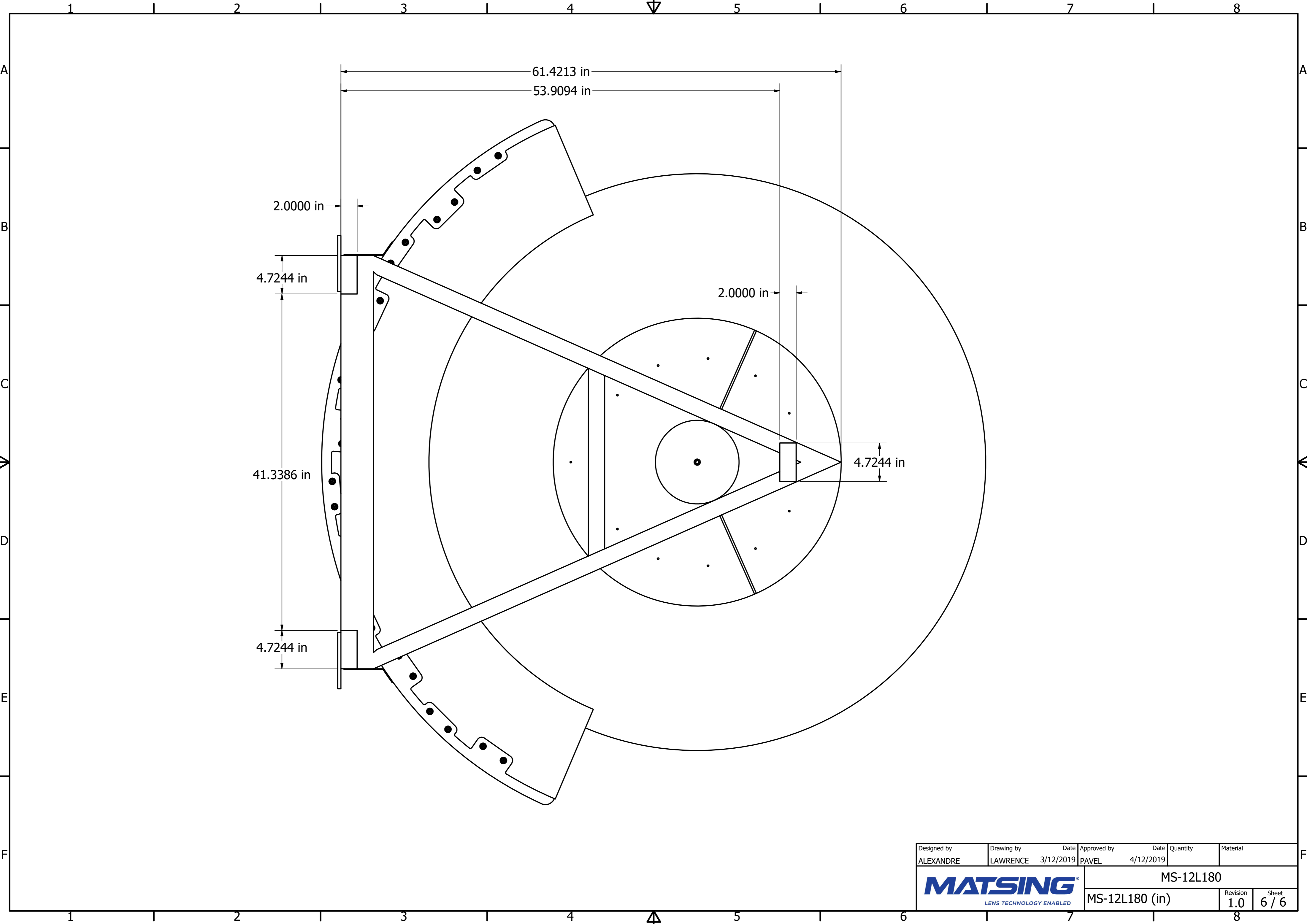


View A



View A

Designed by	Drawing by	Date	Approved by	Date	Quantity	Material
ALEXANDRE	LAWRENCE	3/12/2019	PAVEL	4/12/2019		
MATSING LENS TECHNOLOGY ENABLED						MS-12L180
						MS-12L180 (in)
					Revision	Sheet
					1.0	5 / 6



Designed by ALEXANDRE	Drawing by LAWRENCE	Date 3/12/2019	Approved by PAVEL	Date 4/12/2019	Quantity	Material
MATSING LENS TECHNOLOGY ENABLED						MS-12L180
MS-12L180 (in)					Revision 1.0	Sheet 6 / 6