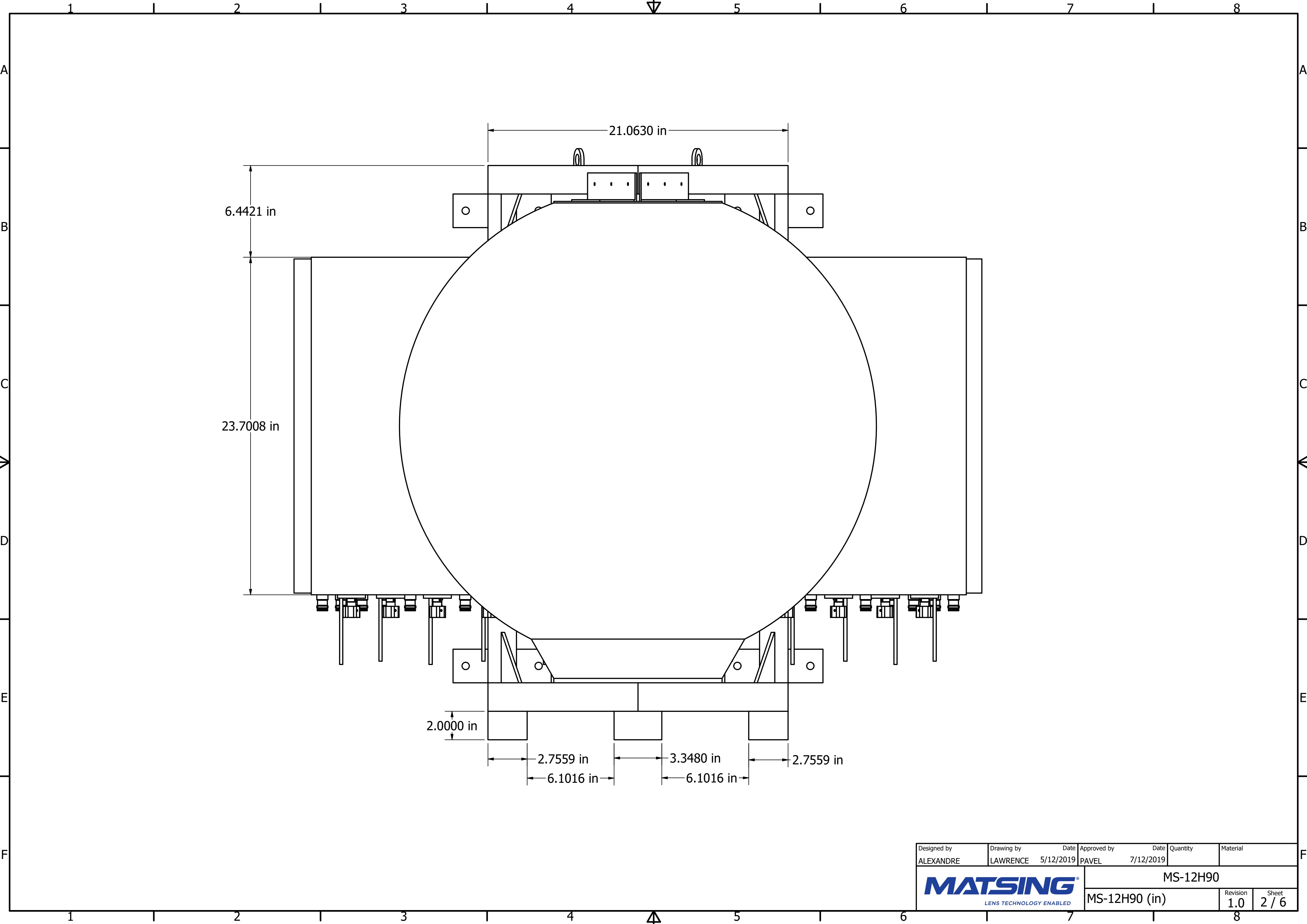


Designed by	Drawing by	Date	Approved by	Date	Quantity	Material	
ALEXANDRE	LAWRENCE	5/12/2019	PAVEL	7/12/2019			
MATSING LENS TECHNOLOGY ENABLED						MS-12H90	
						MS-12H90 (in)	Revision 1.0 Sheet 1 / 6



21.0630 in

6.4421 in

23.7008 in

2.0000 in


2.7559 in

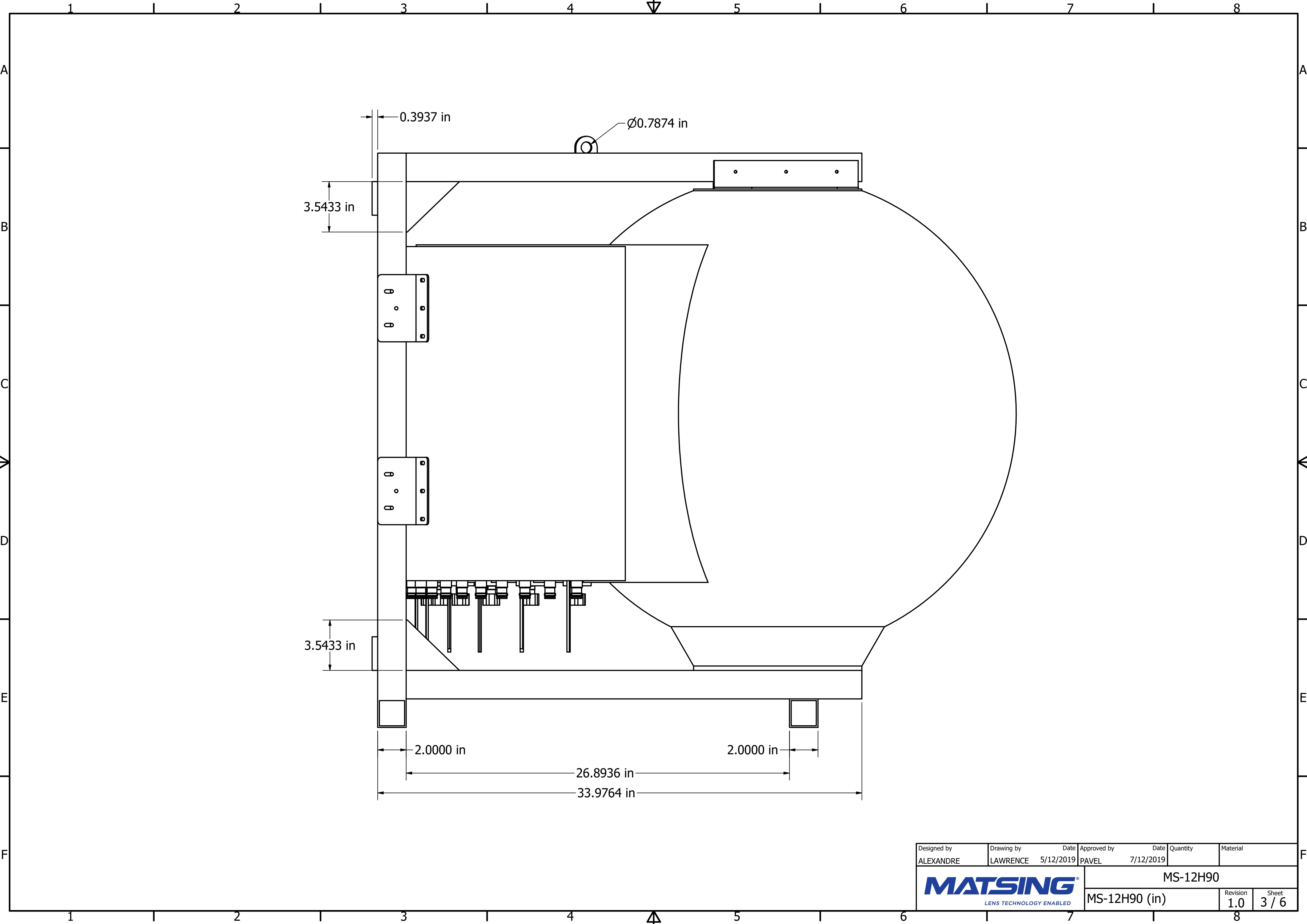
3.3480 in

2.7559 in

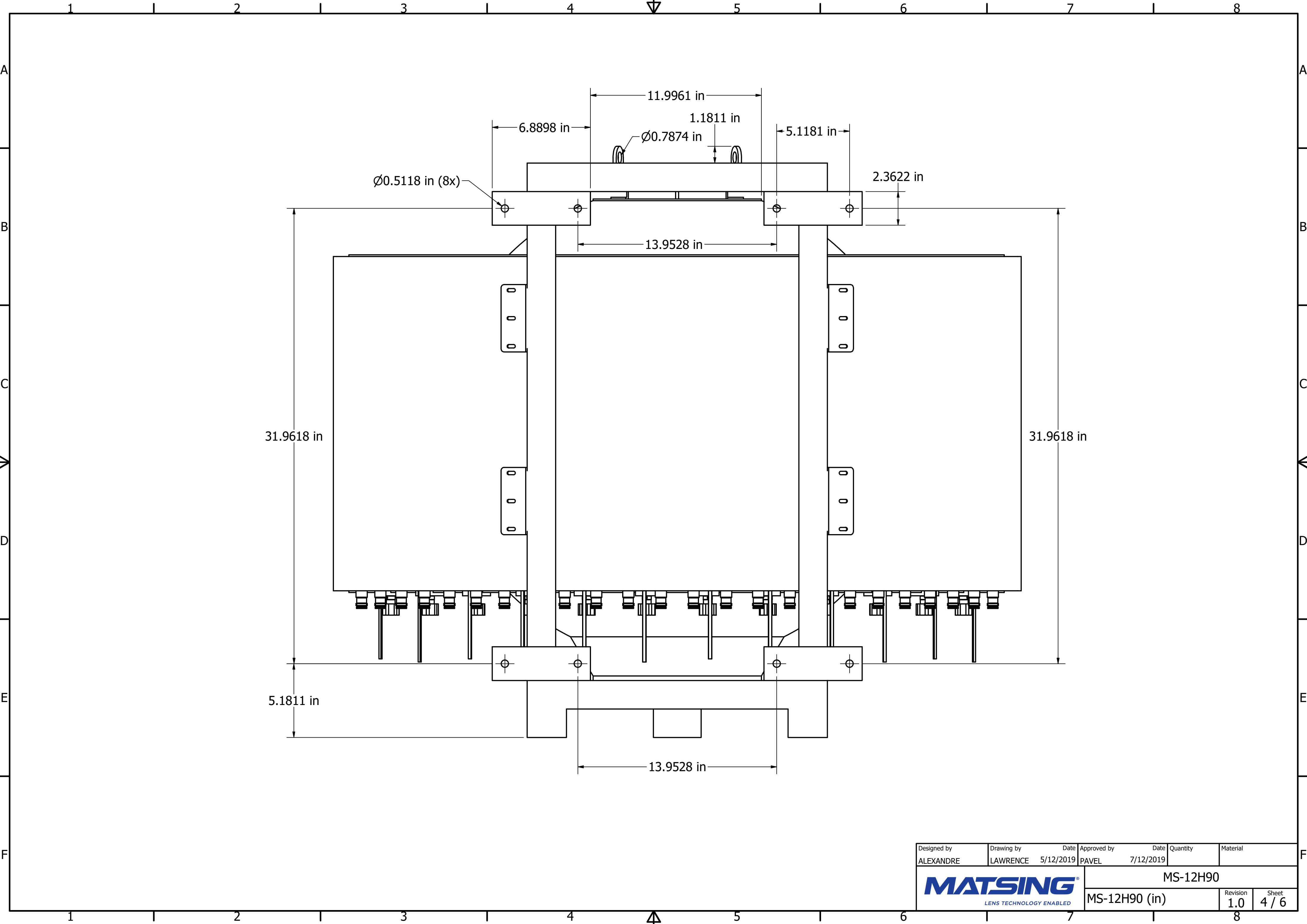
6.1016 in

6.1016 in

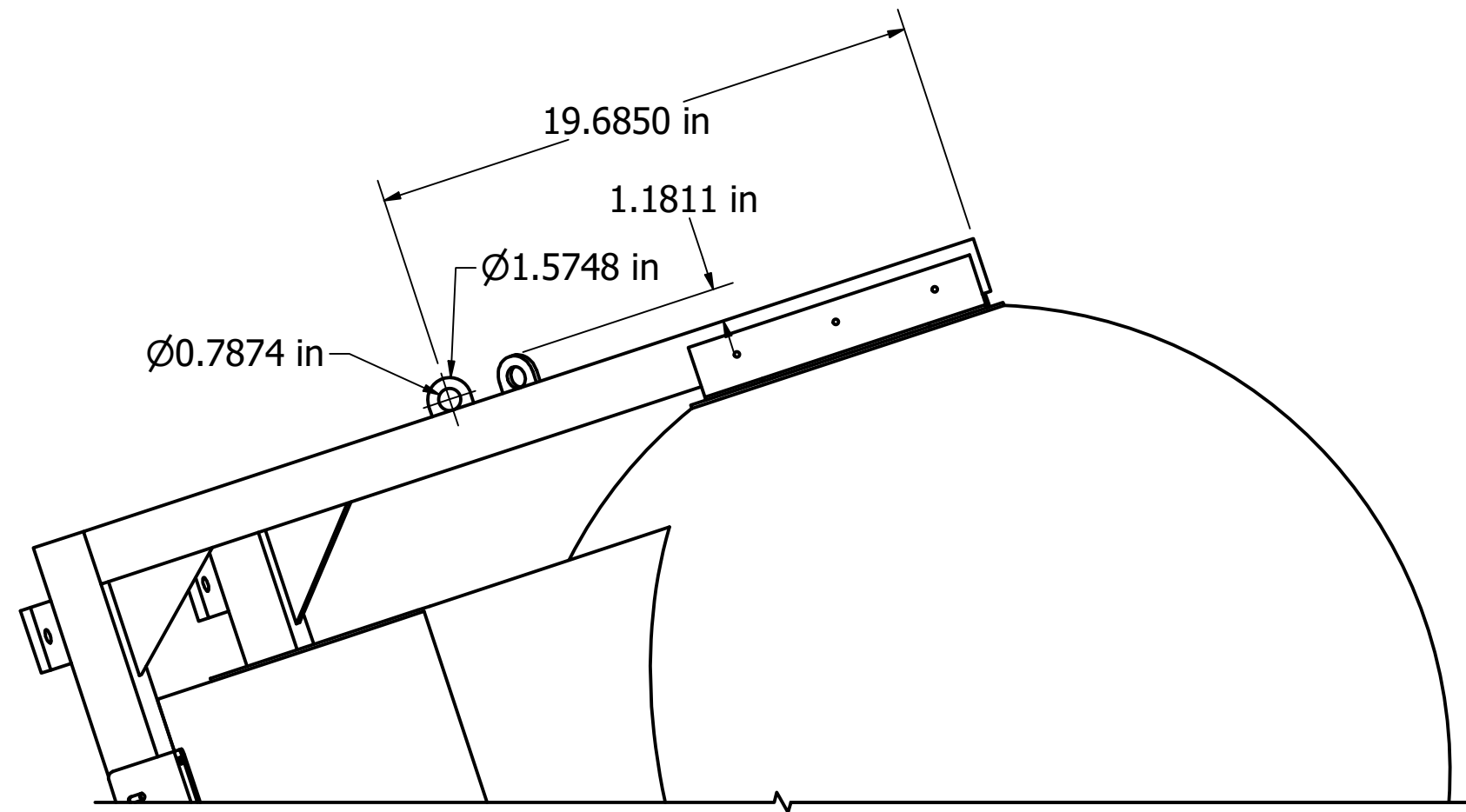
Designed by ALEXANDRE	Drawing by LAWRENCE	Date 5/12/2019	Approved by PAVEL	Date 7/12/2019	Quantity	Material
						MS-12H90
						MS-12H90 (in)



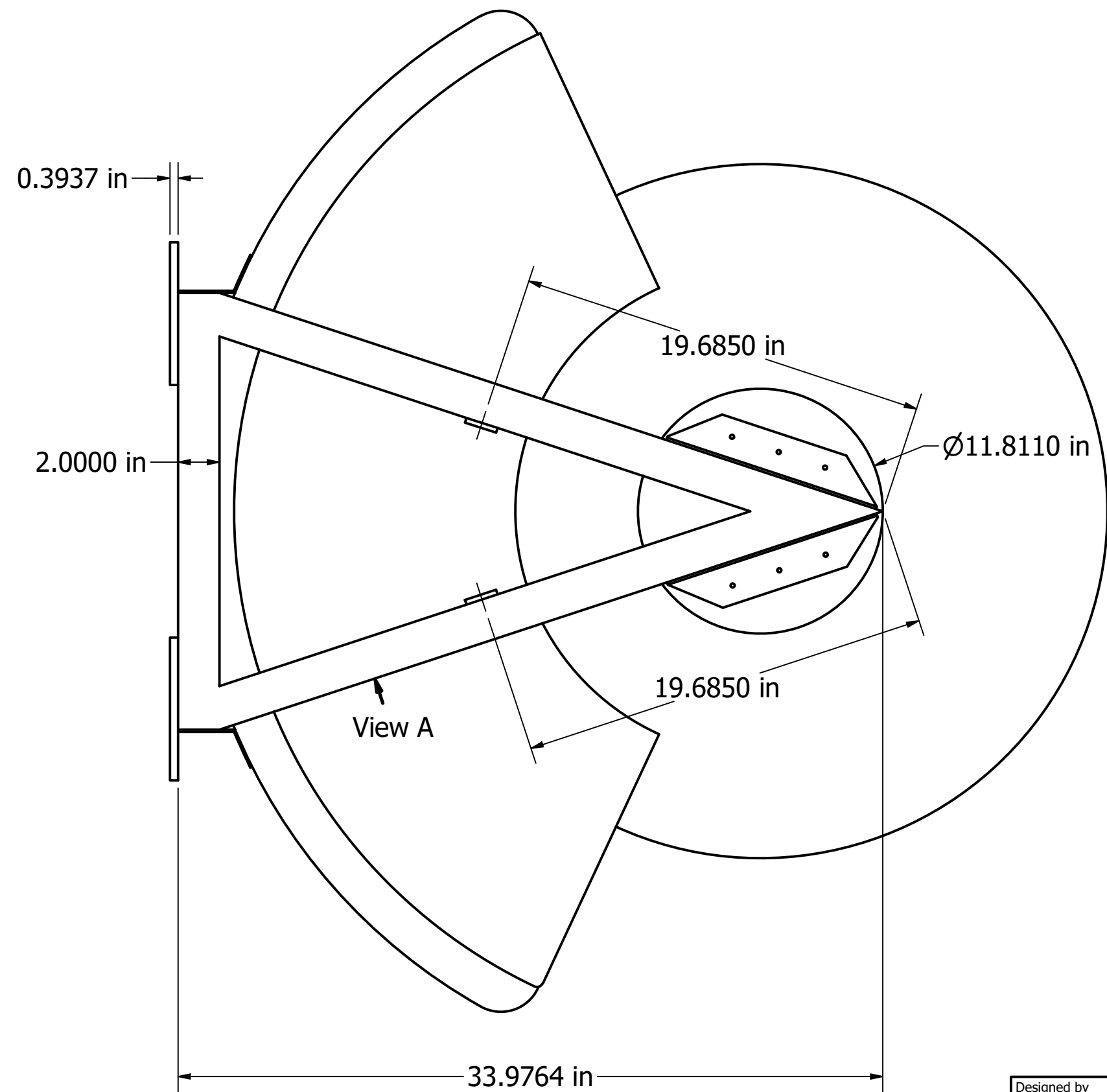
Designed by ALEXANDRE	Drawing by LAWRENCE	Date 5/12/2019	Approved by PAVEL	Date 7/12/2019	Quantity	Material
MATSING LENS TECHNOLOGY ENABLED						MS-12H90
MS-12H90 (in)					Revision 1.0	Sheet 3 / 6



Designed by ALEXANDRE	Drawing by LAWRENCE	Date 5/12/2019	Approved by PAVEL	Date 7/12/2019	Quantity	Material
MATSING LENS TECHNOLOGY ENABLED						MS-12H90
MS-12H90 (in)					Revision 1.0	Sheet 4 / 6

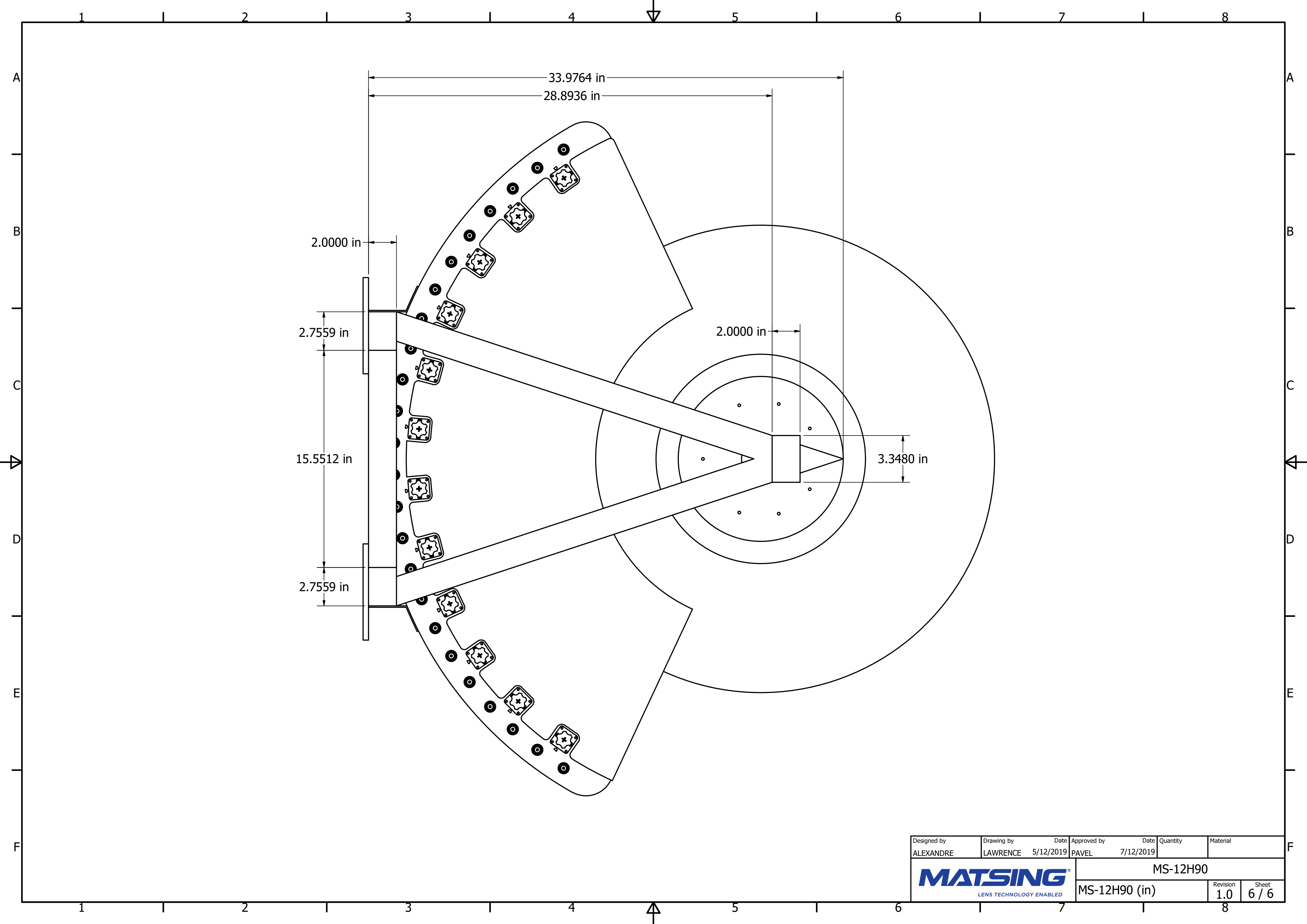


View A



View A

Designed by	Drawing by	Date	Approved by	Date	Quantity	Material
ALEXANDRE	LAWRENCE	5/12/2019	PAVEL	7/12/2019		
MATSING LENS TECHNOLOGY ENABLED						MS-12H90
						MS-12H90 (in)
					Revision	Sheet
					1.0	5 / 6



Designed by ALEXANDRE	Drawing by LAWRENCE	Date 5/12/2019	Approved by PAVEL	Date 7/12/2019	Quantity	Material
MATSING LENS TECHNOLOGY ENABLED						MS-12H90
MS-12H90 (in)					Revision 1.0	Sheet 6 / 6