

Wind Load

Antenna MS-12H90-FT

Antenna Model Number

MS-12H90-FT

Velocity [km/h]

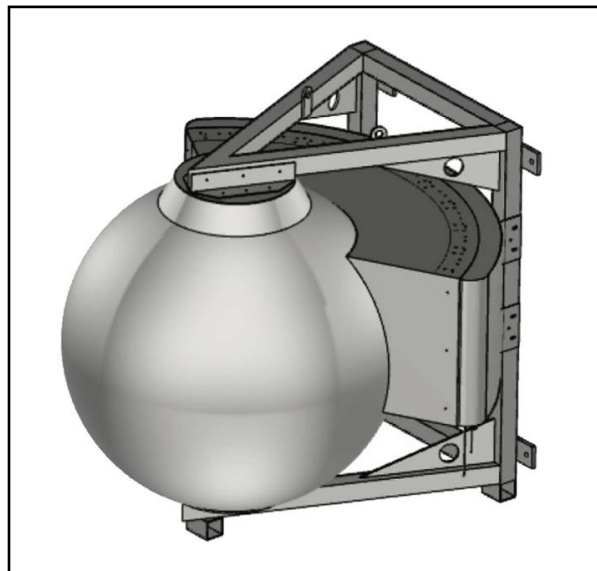
160

Dimensions: H x W x D [mm]

1054 x 1224 x 1146

Spherical Lens Diameter [mm]

900



Results

	Frontal	Lateral
Wind Load [N/lbf]	754/170	-