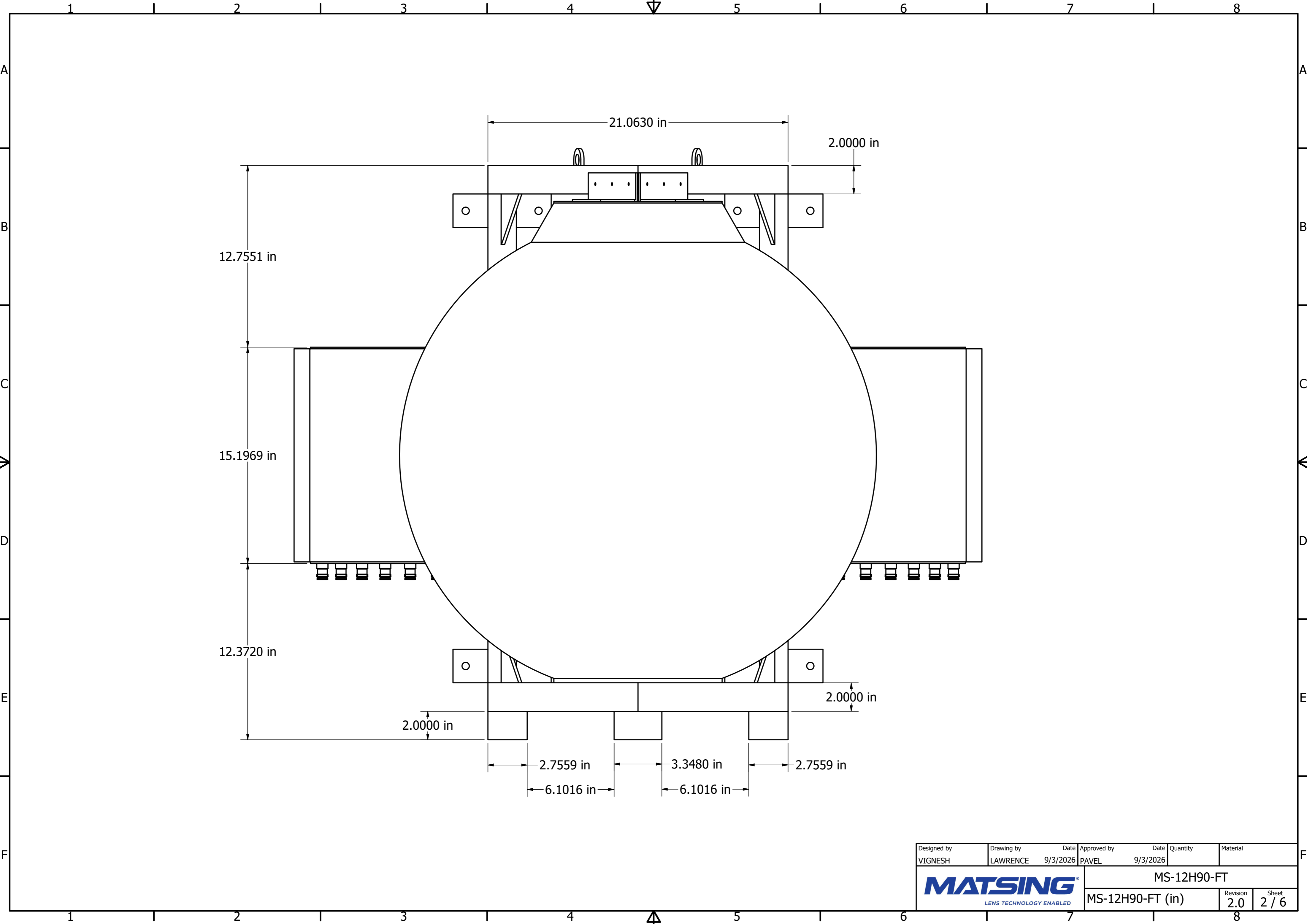

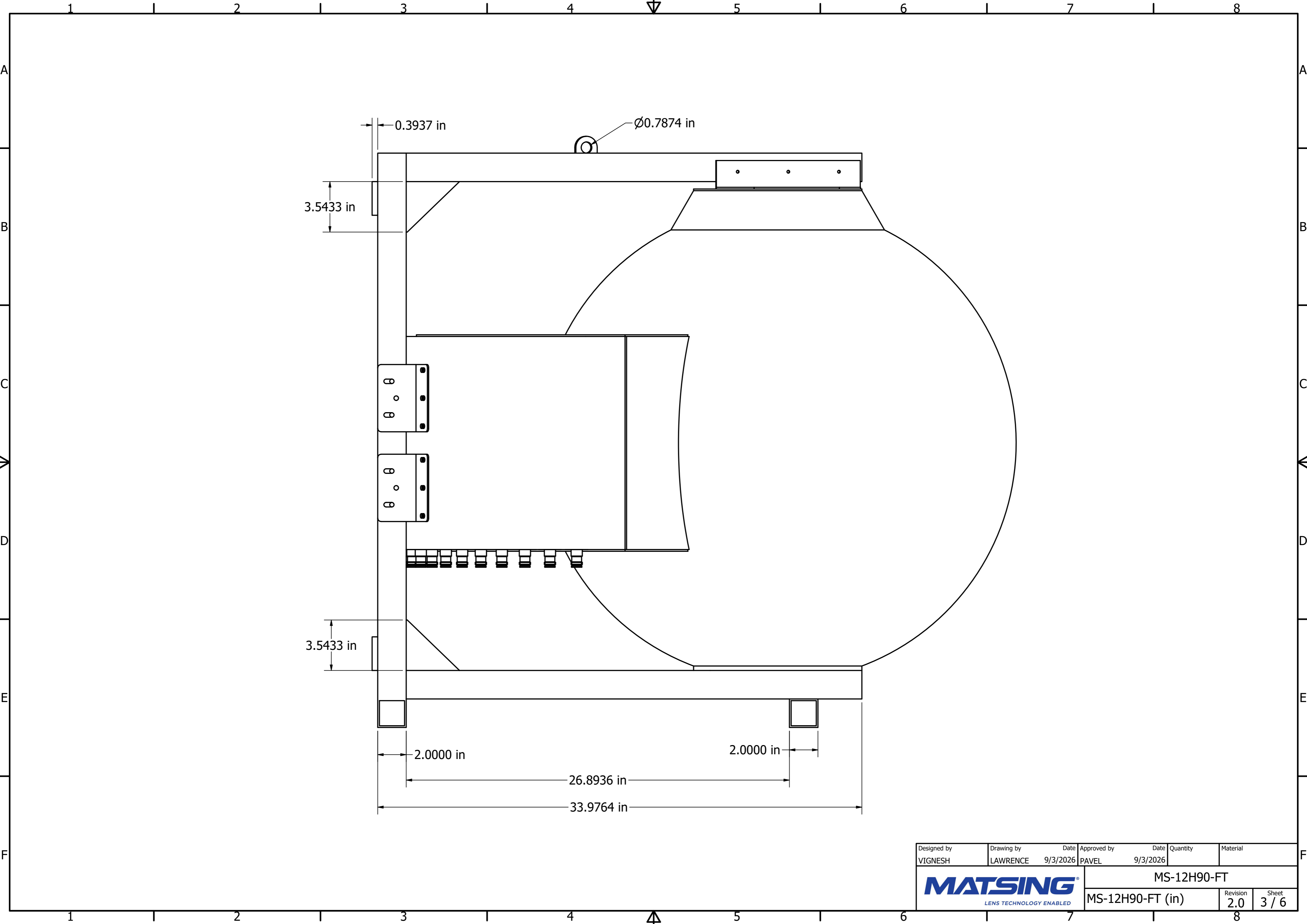



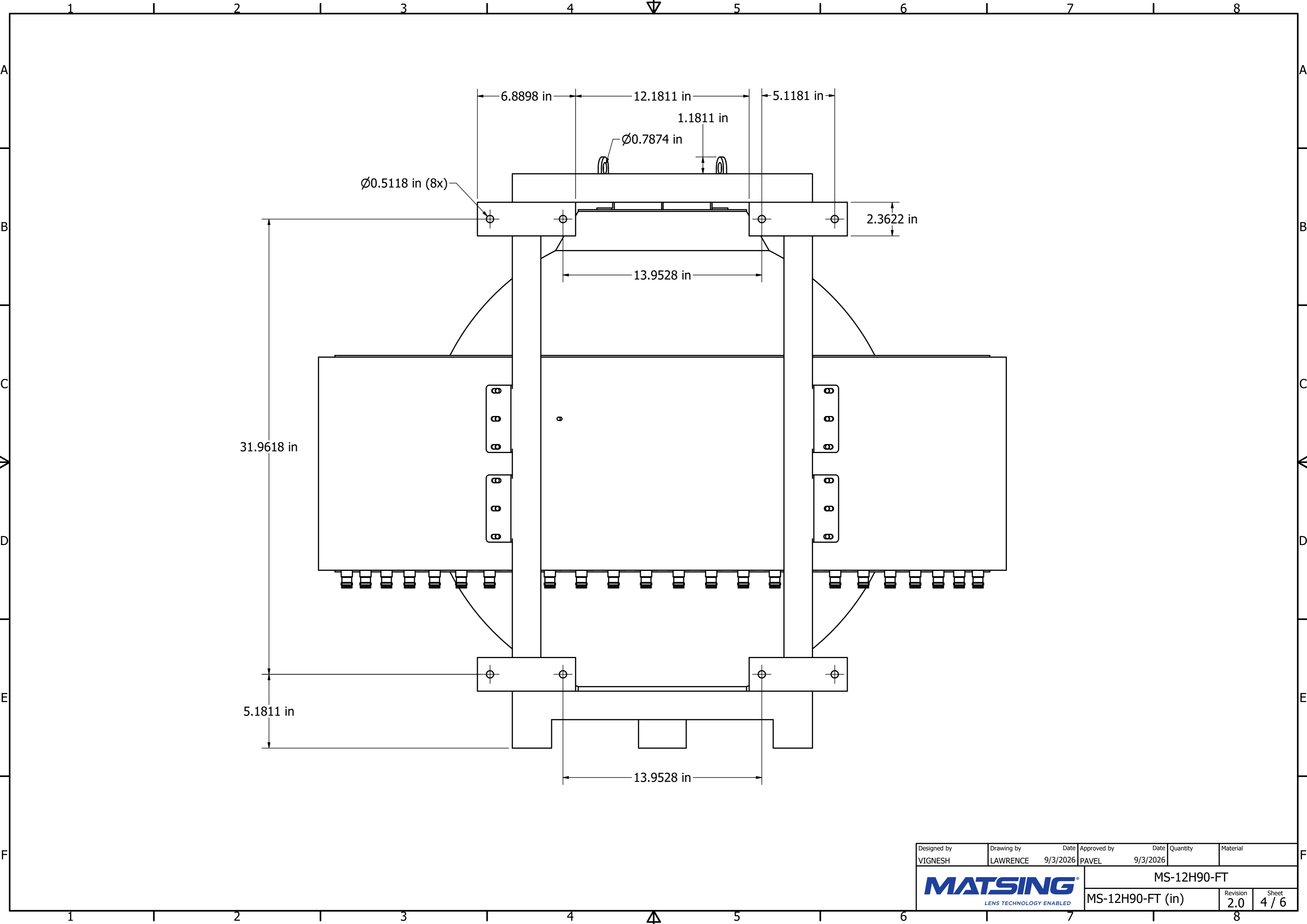
Designed by VIGNESH	Drawing by LAWRENCE	Date 9/3/2026	Approved by PAVEL	Date 9/3/2026	Quantity	Material
MATSING LENS TECHNOLOGY ENABLED						MS-12H90-FT
MS-12H90-FT (in)					Revision 2.0	Sheet 1 / 6



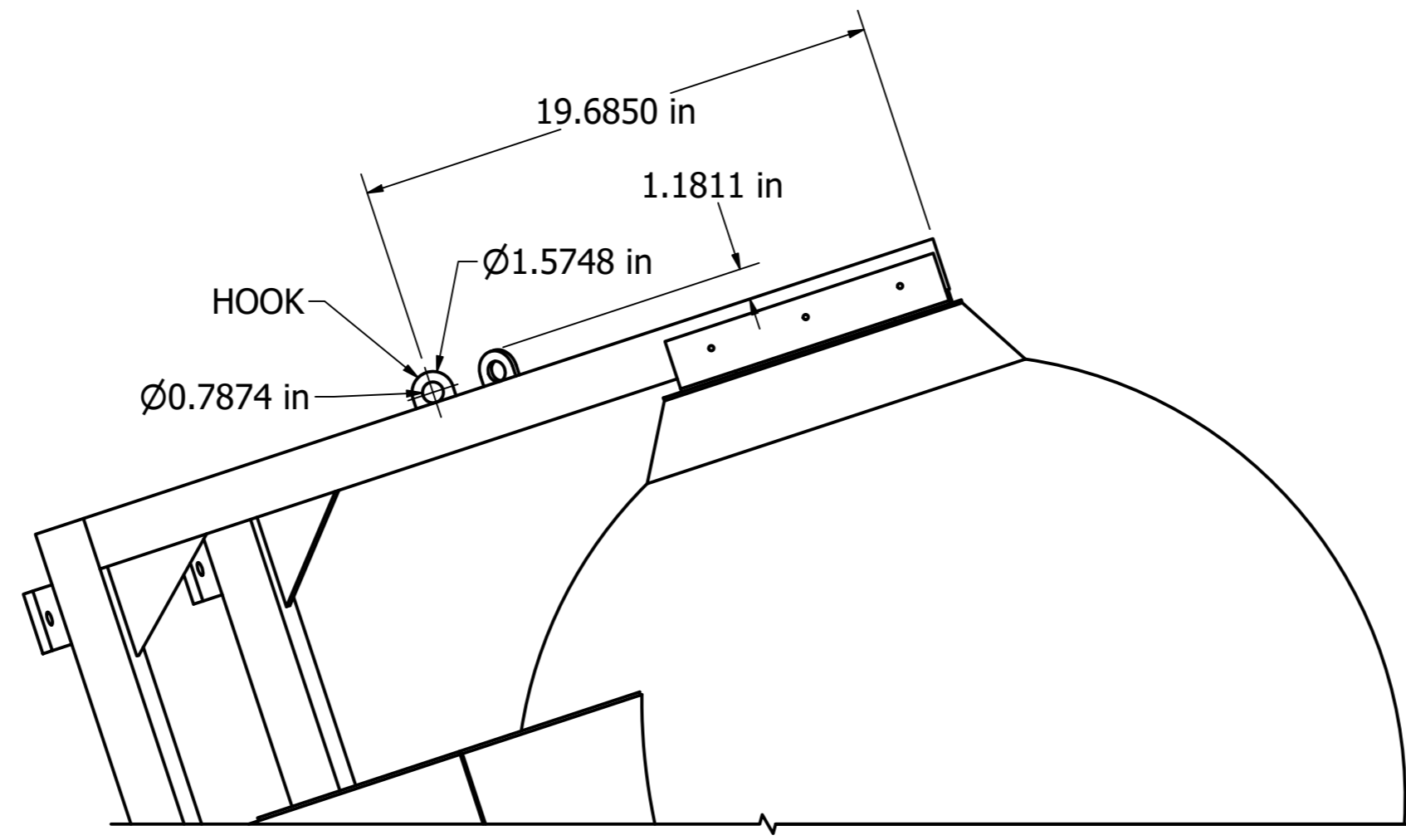
Designed by VIGNESH	Drawing by LAWRENCE	Date 9/3/2026	Approved by PAVEL	Date 9/3/2026	Quantity	Material
 MATSING <small>LENS TECHNOLOGY ENABLED</small>						MS-12H90-FT
						MS-12H90-FT (in)



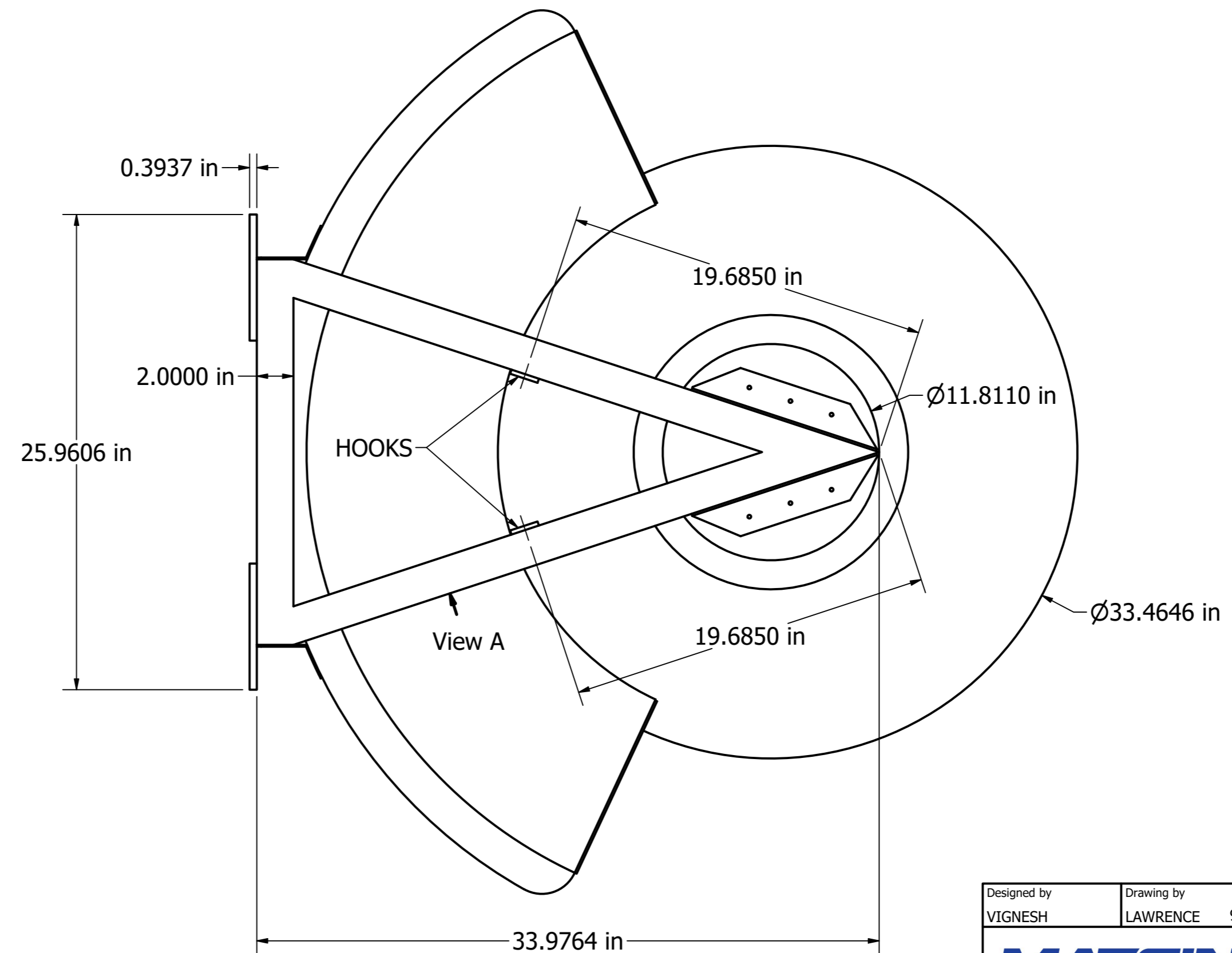
Designed by VIGNESH	Drawing by LAWRENCE	Date 9/3/2026	Approved by PAVEL	Date 9/3/2026	Quantity	Material
 MATSING <small>LENS TECHNOLOGY ENABLED</small>						MS-12H90-FT
						MS-12H90-FT (in)



Designed by VIGNESH	Drawing by LAWRENCE	Date 9/3/2026	Approved by PAVEL	Date 9/3/2026	Quantity	Material
MATSING LENS TECHNOLOGY ENABLED						MS-12H90-FT
MS-12H90-FT (in)					Revision 2.0	Sheet 4 / 6

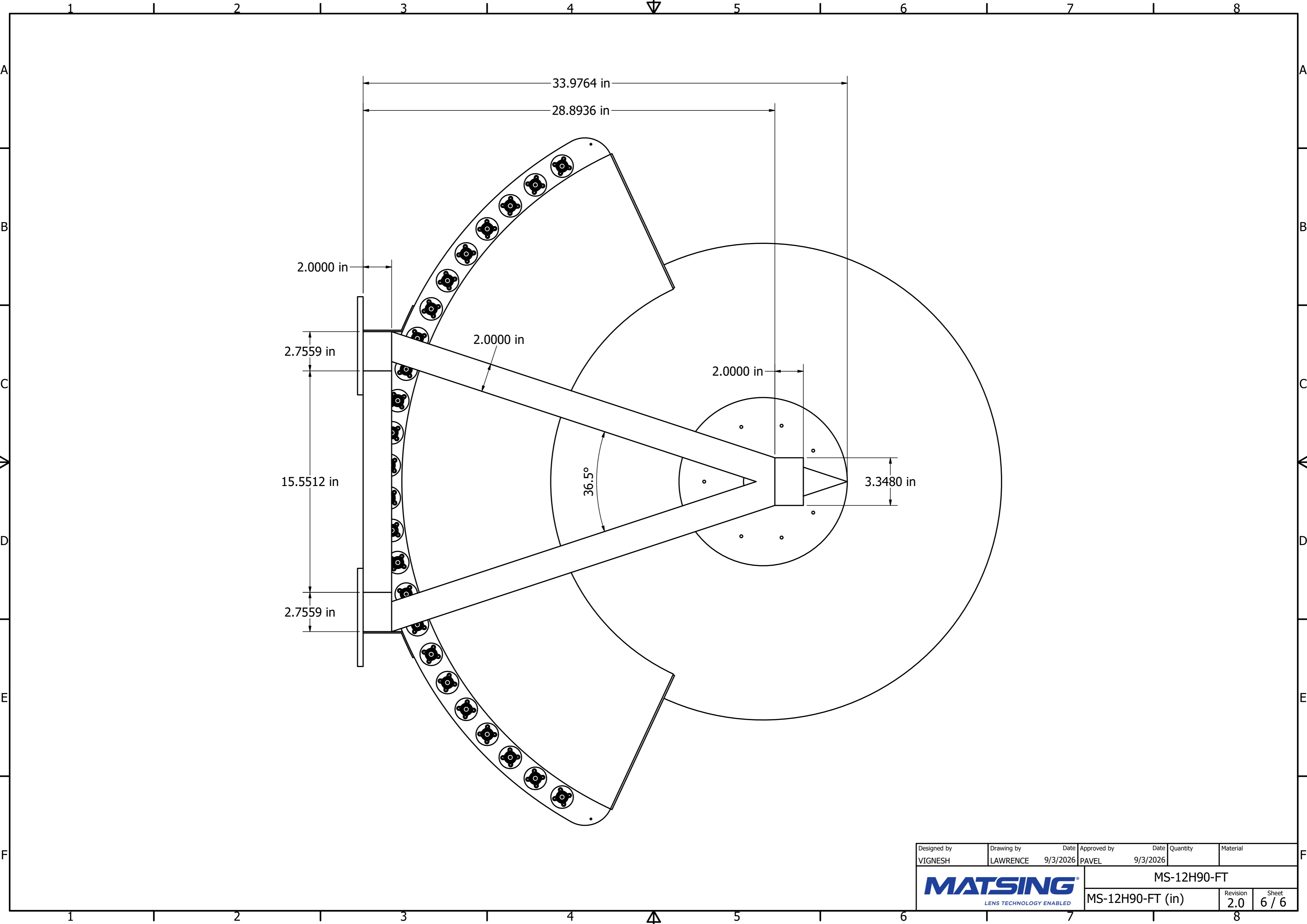



View A



View A

Designed by	Drawing by	Date	Approved by	Date	Quantity	Material
VIGNESH	LAWRENCE	9/3/2026	PAVEL	9/3/2026		
MATSING LENS TECHNOLOGY ENABLED						MS-12H90-FT
						MS-12H90-FT (in)
					Revision	Sheet
					2.0	5 / 6



Designed by VIGNESH	Drawing by LAWRENCE	Date 9/3/2026	Approved by PAVEL	Date 9/3/2026	Quantity	Material
						MS-12H90-FT
						MS-12H90-FT (in)