

## Wind Load

## Antenna MS-12H180

**Antenna Model Number**

MS-12H180

**Velocity [km/h]**

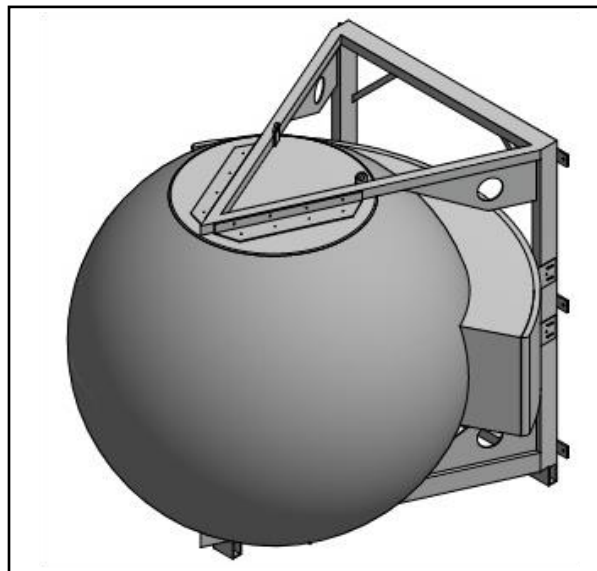
150

**Dimensions: H x W x D [mm]**

1820 x 2050 x 2070

**Spherical Lens Diameter [mm]**

1800



## Results

	<b>Frontal</b>	<b>Lateral</b>
<b>Antenna Drag Coefficient</b>	0.59	0.63
<b>Wind Load [N/lbf]</b>	1838/413	2053/462