

Wind Load

Antenna MS-12F90

Antenna Model Number

MS-12F90

Velocity [km/h]

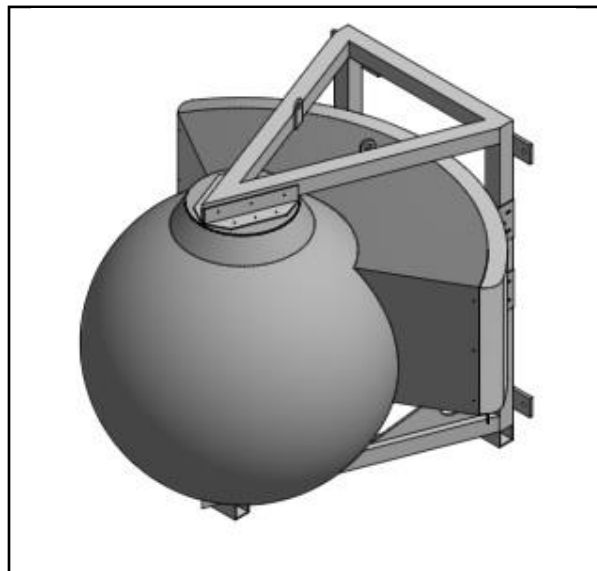
150

Dimensions: H x W x D [mm]

1100 x 1050 x 1210

Spherical Lens Diameter [mm]

850



Results

	Frontal	Lateral
Antenna Drag Coefficient	0.69	0.63
Wind Load [N/lbf]	489 / 110	543 / 122