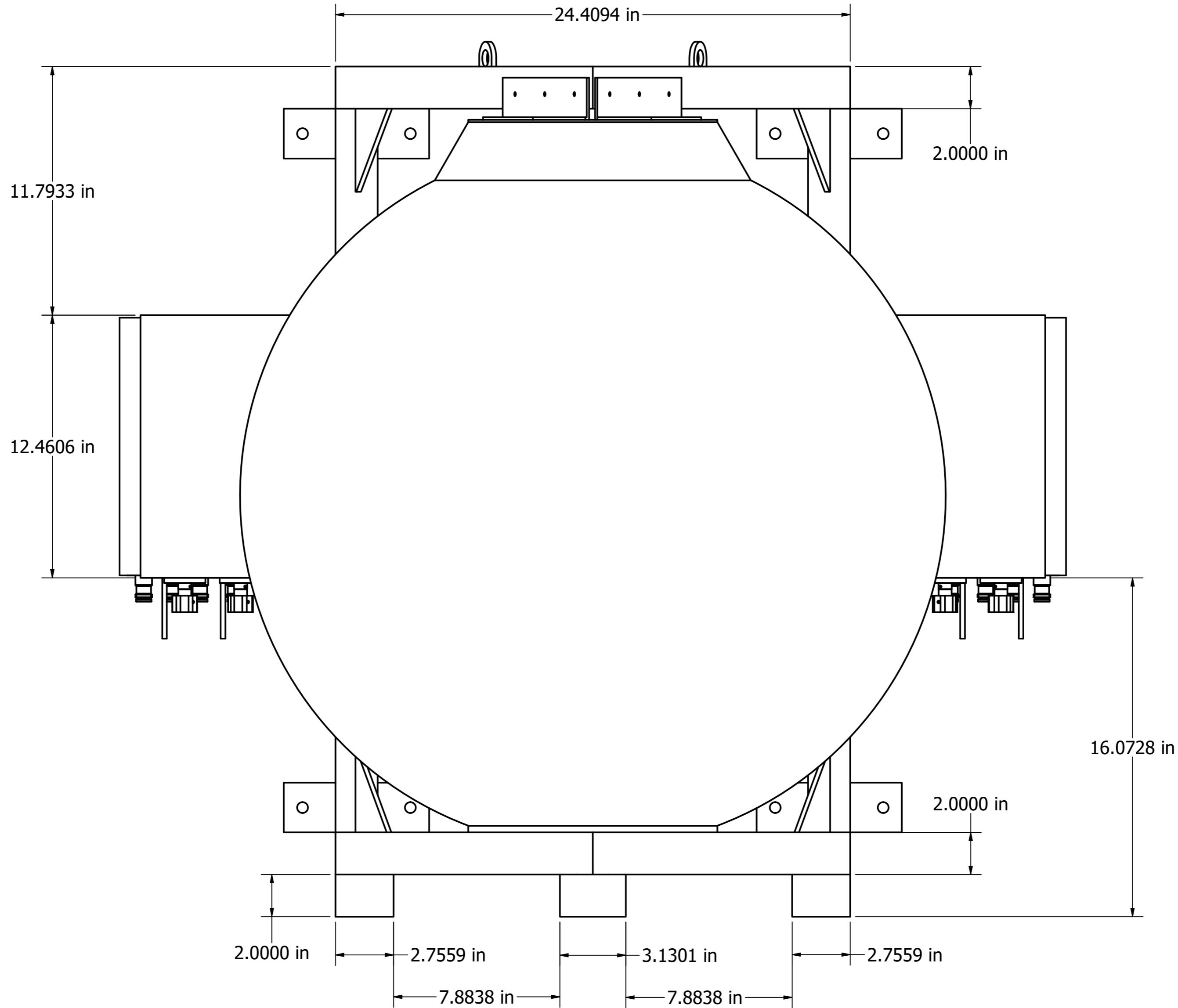
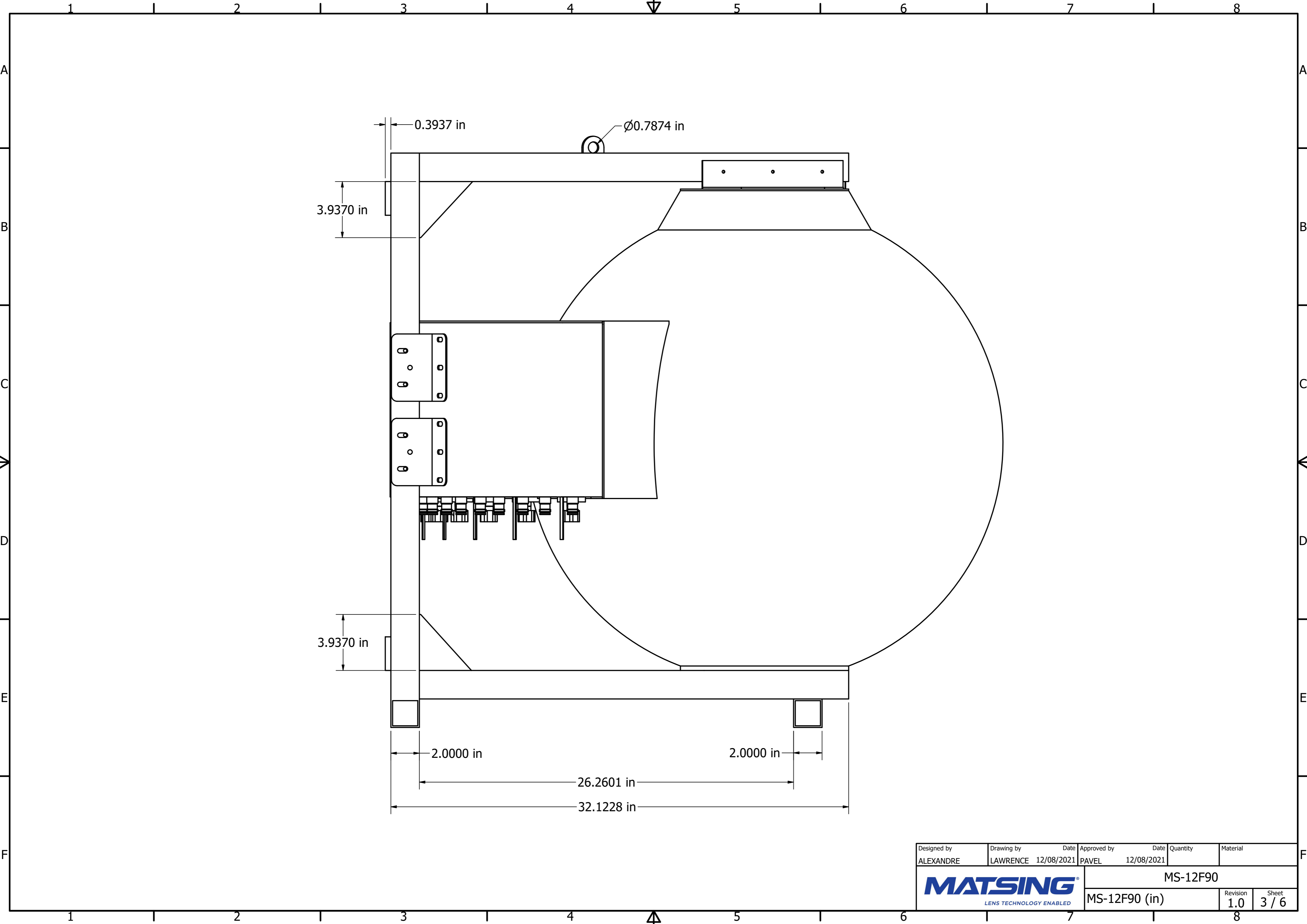


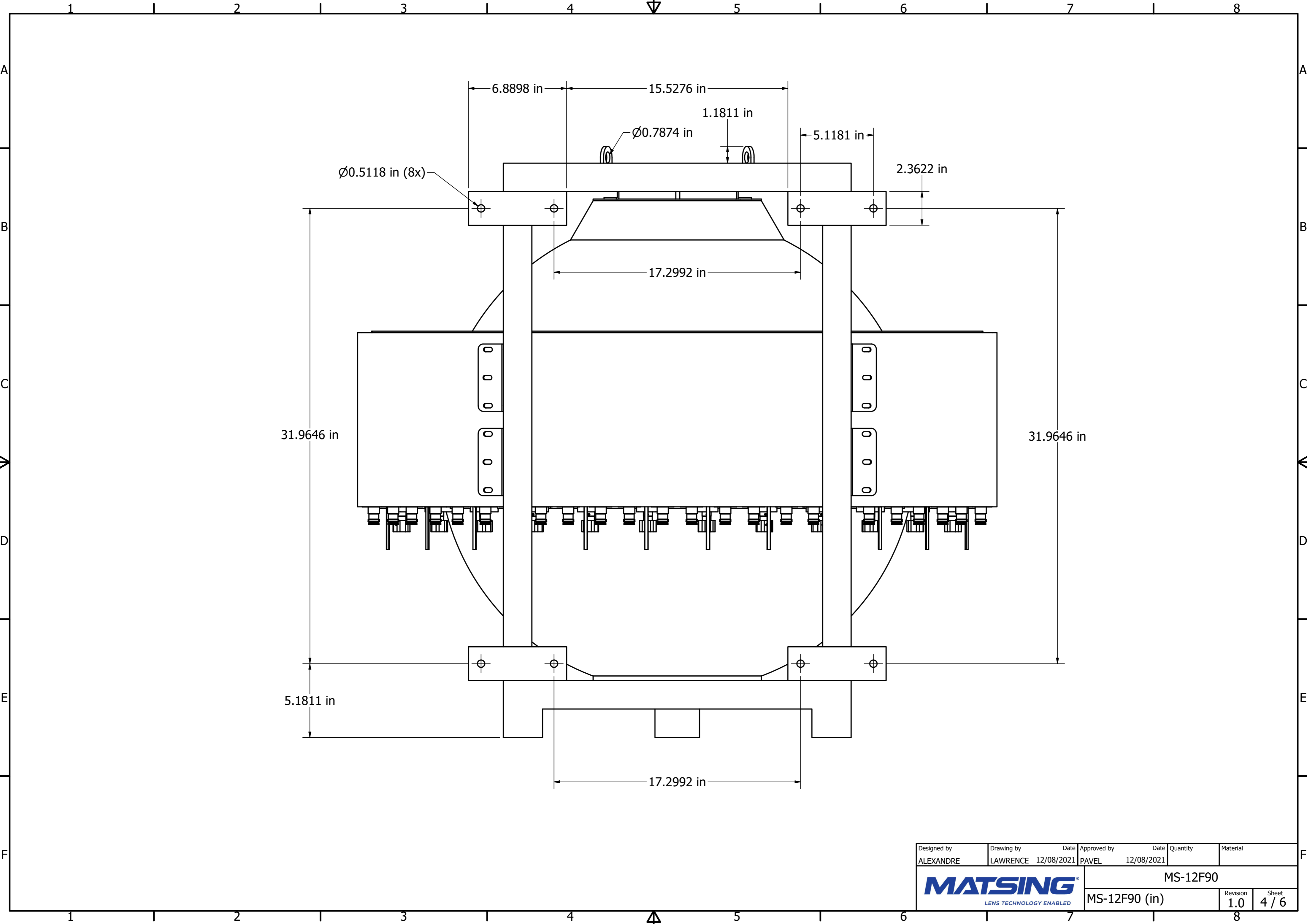
Designed by	Drawing by	Date	Approved by	Date	Quantity	Material	
ALEXANDRE	LAWRENCE	12/08/2021	PAVEL	12/08/2021			
MATSING LENS TECHNOLOGY ENABLED						MS-12F90	
MS-12F90 (in)						Revision 1.0	Sheet 1 / 6



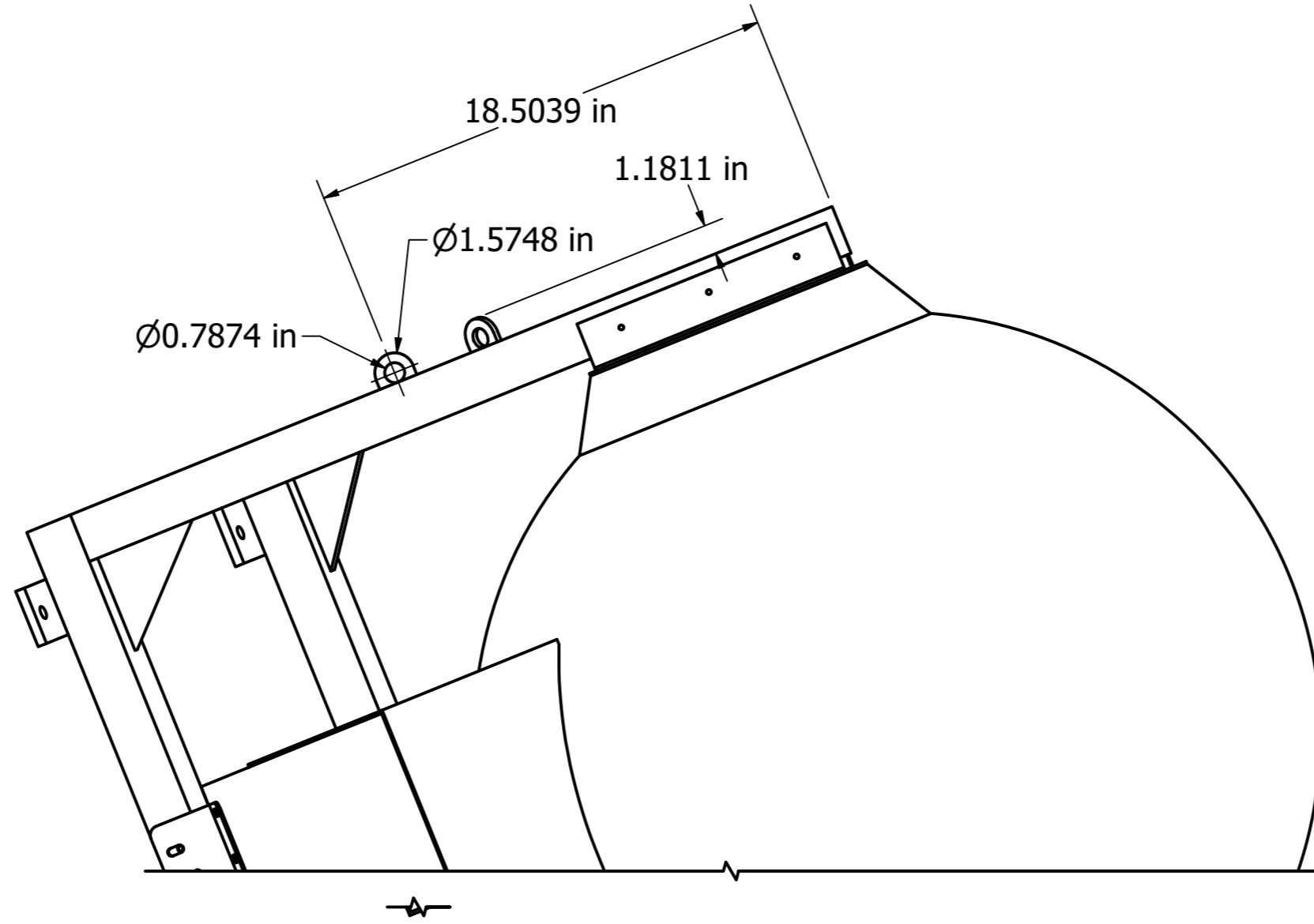
Designed by	Drawing by	Date	Approved by	Date	Quantity	Material	
ALEXANDRE	LAWRENCE	12/08/2021	PAVEL	12/08/2021			
MATSING LENS TECHNOLOGY ENABLED						MS-12F90	
MS-12F90 (in)						Revision 1.0	Sheet 2 / 6



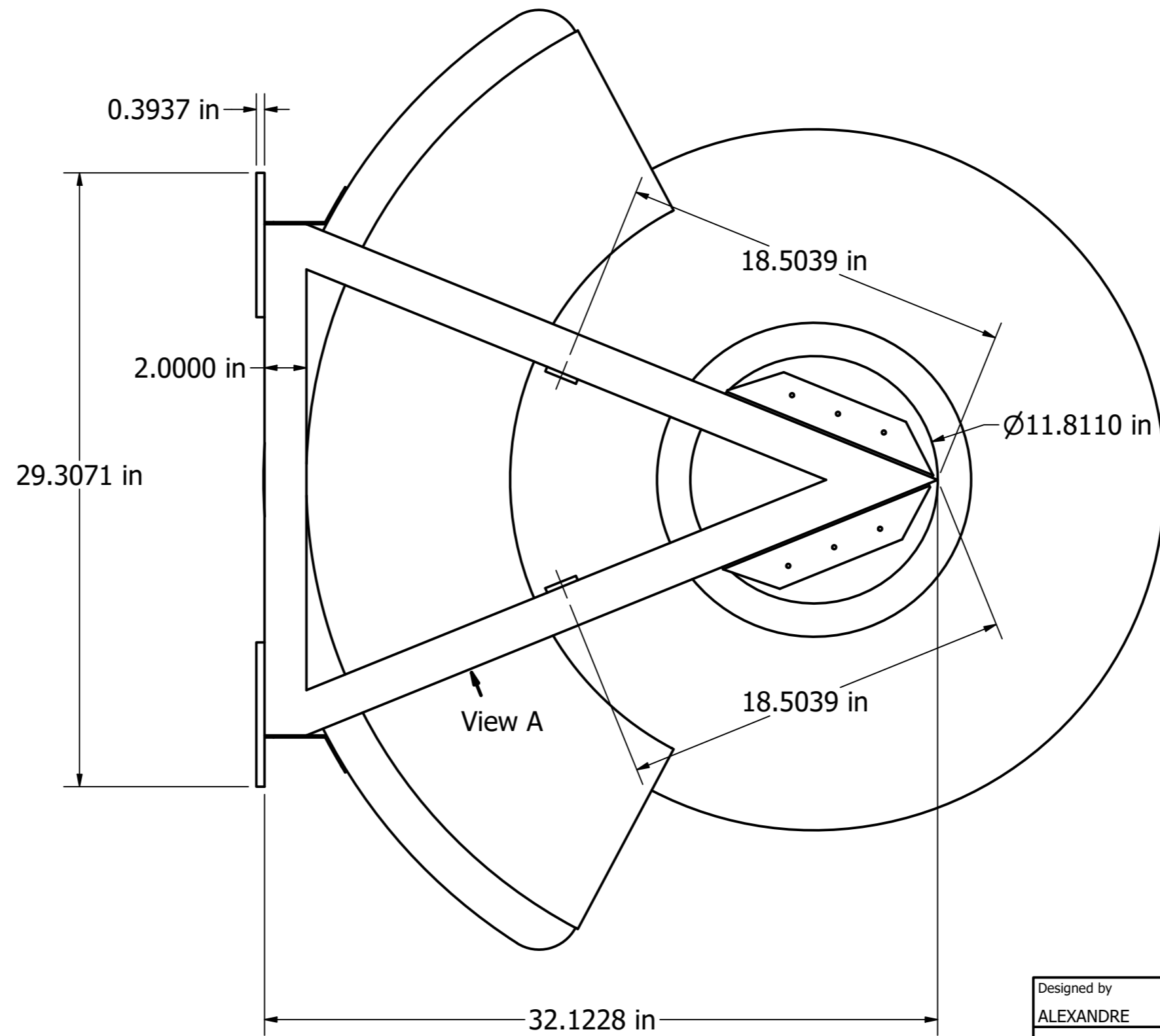
Designed by ALEXANDRE	Drawing by LAWRENCE	Date 12/08/2021	Approved by PAVEL	Date 12/08/2021	Quantity	Material
MATSING LENS TECHNOLOGY ENABLED						MS-12F90
MS-12F90 (in)					Revision 1.0	Sheet 3 / 6



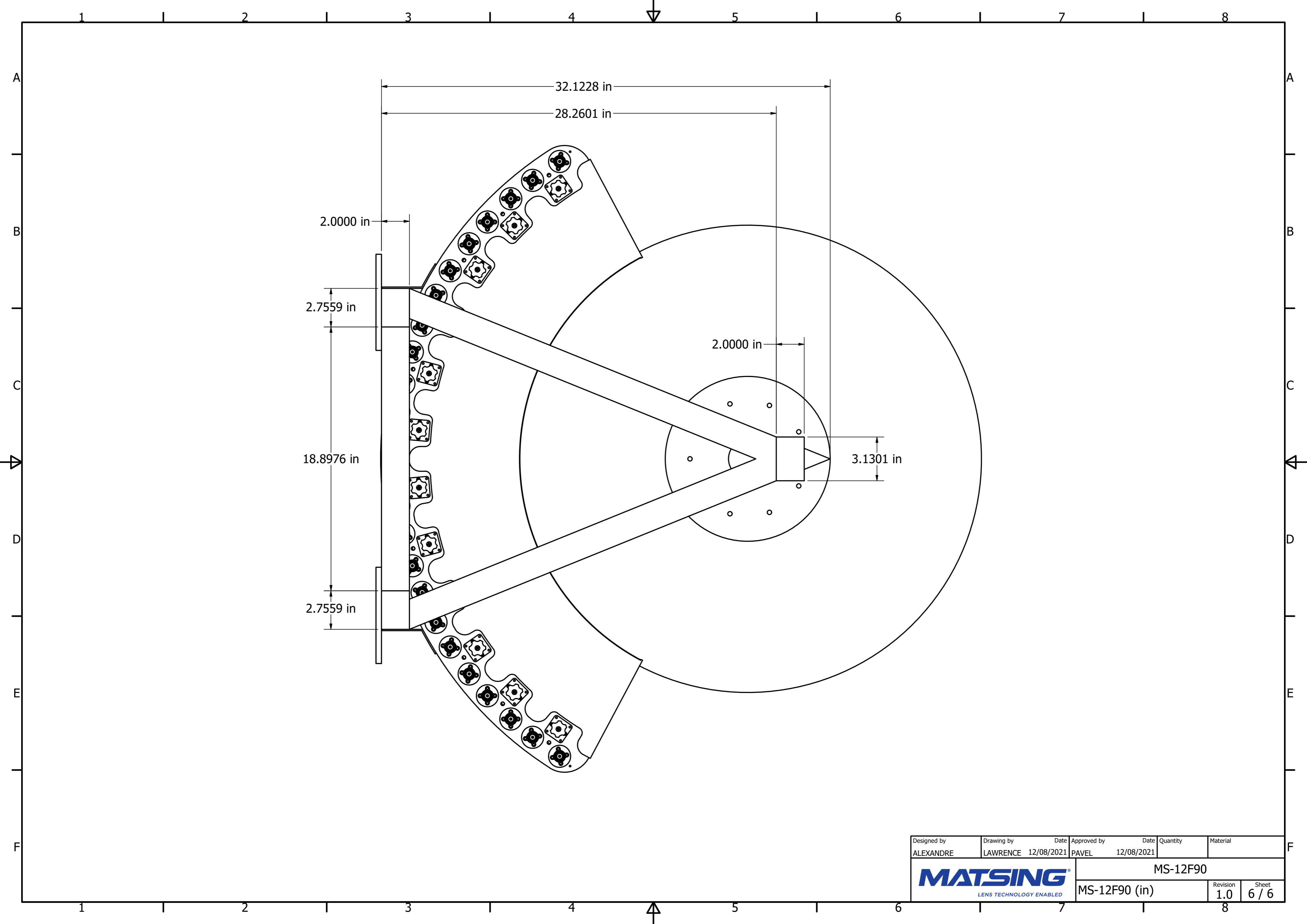
Designed by ALEXANDRE	Drawing by LAWRENCE	Date 12/08/2021	Approved by PAVEL	Date 12/08/2021	Quantity	Material
MATSING LENS TECHNOLOGY ENABLED						MS-12F90
MS-12F90 (in)					Revision 1.0	Sheet 4 / 6



View A



Designed by	Drawing by	Date	Approved by	Date	Quantity	Material	
ALEXANDRE	LAWRENCE	12/08/2021	PAVEL	12/08/2021			
MATSING LENS TECHNOLOGY ENABLED							
MS-12F90						Revision	Sheet
MS-12F90 (in)						1.0	5 / 6



Designed by ALEXANDRE	Drawing by LAWRENCE	Date 12/08/2021	Approved by PAVEL	Date 12/08/2021	Quantity	Material
MATSING LENS TECHNOLOGY ENABLED						MS-12F90
MS-12F90 (in)					Revision 1.0	Sheet 6 / 6