

Wind Load

Antenna MS-12F45

Antenna Model Number

MS-12F45

Velocity [km/h]

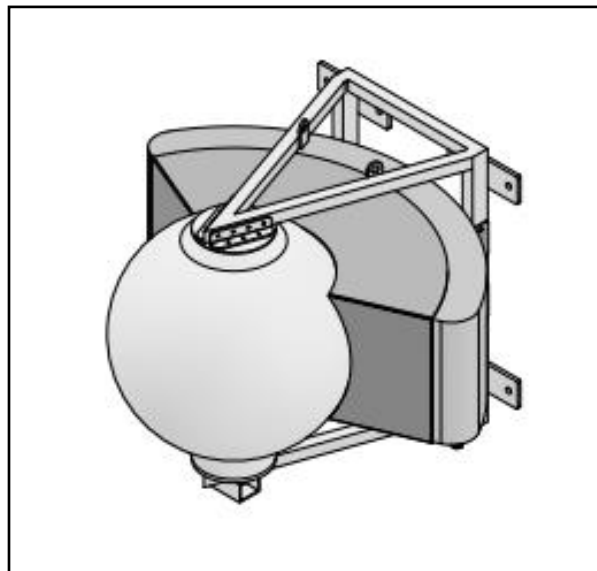
150

Dimensions: H x W x D [mm]

610 x 610 x 700

Spherical Lens Diameter [mm]

450



Results

	Frontal	Lateral
Antenna Drag Coefficient	0.72	0.54
Frontal Wind Load [N/lbf]	284.8/64	245/55