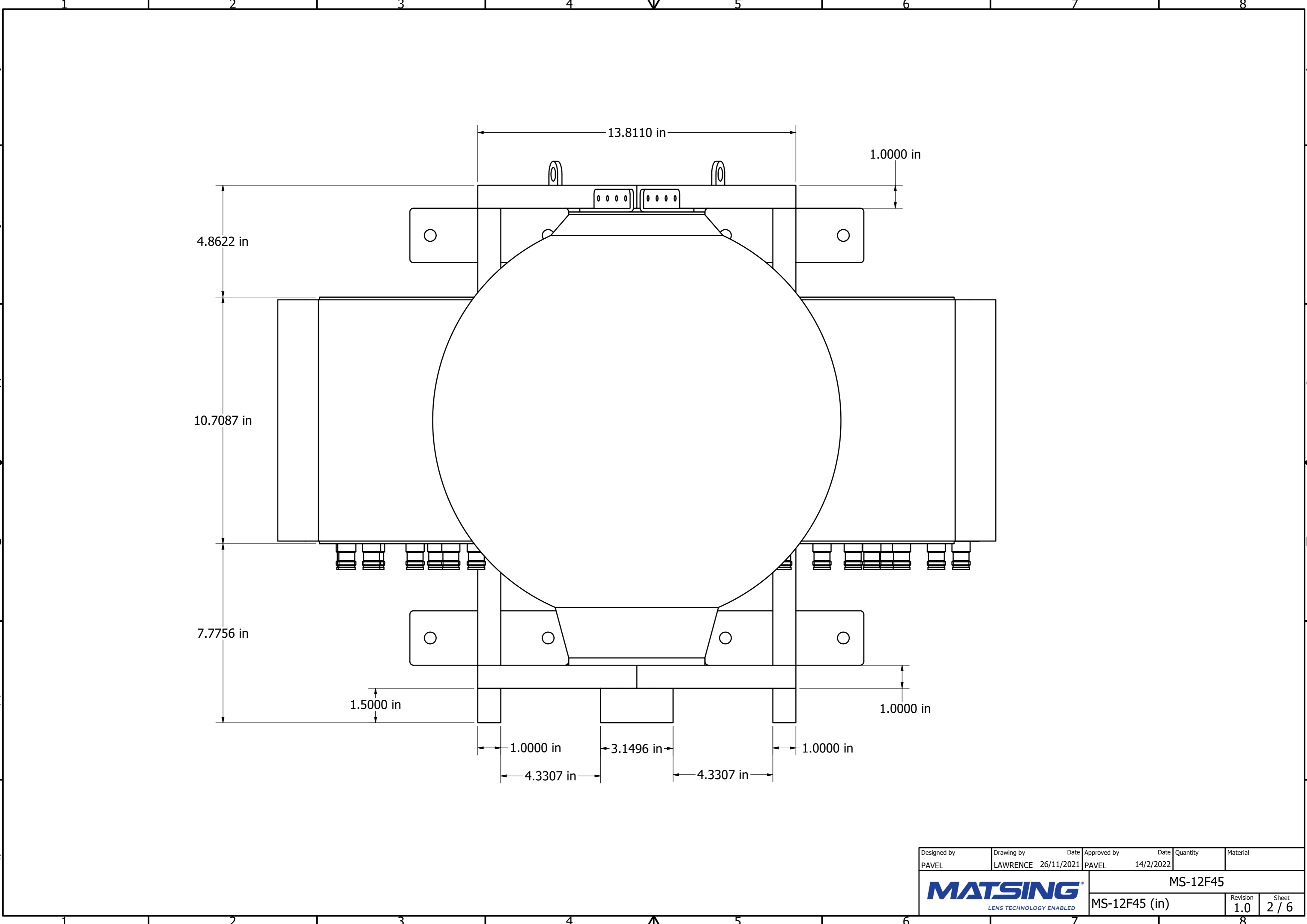
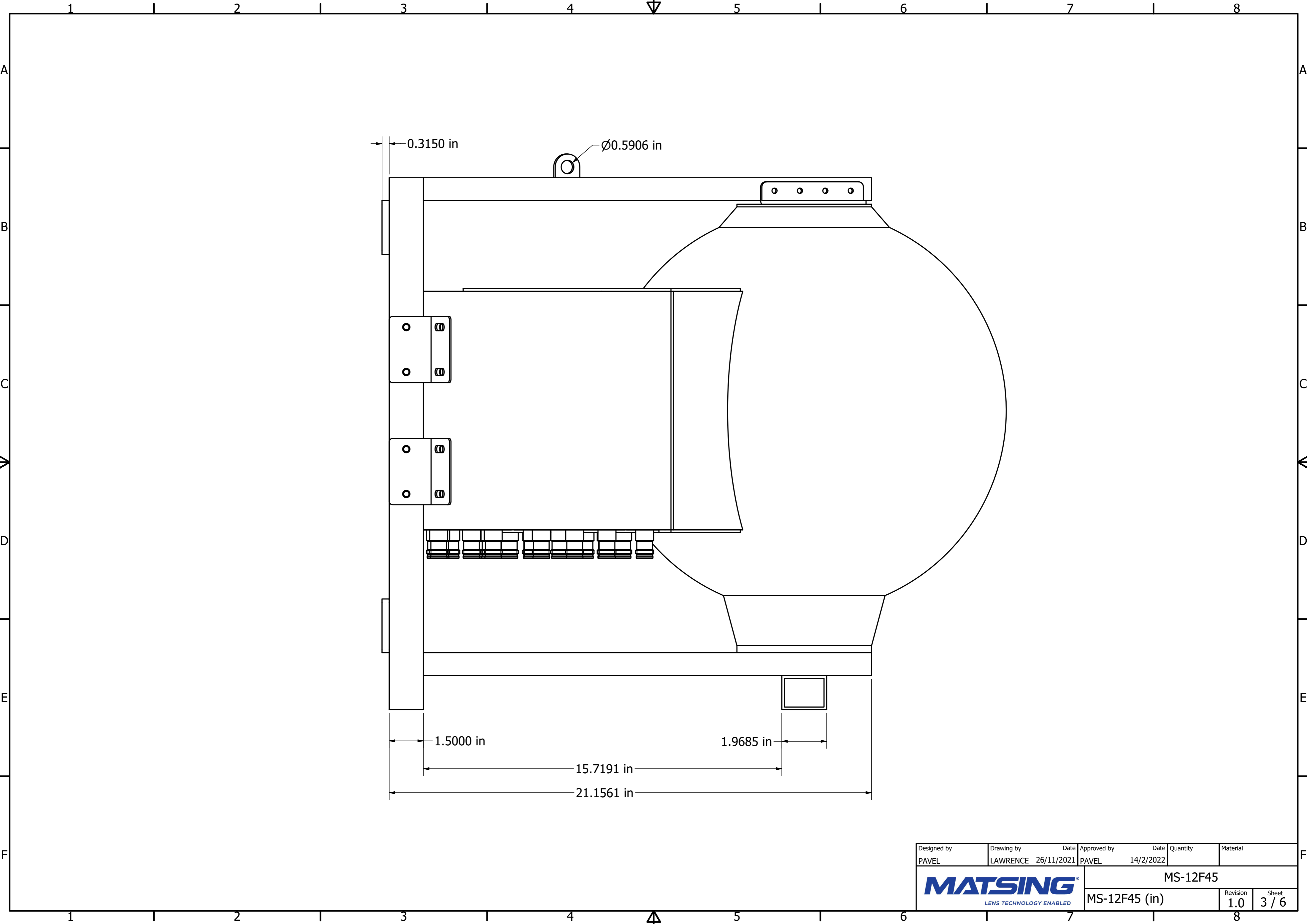


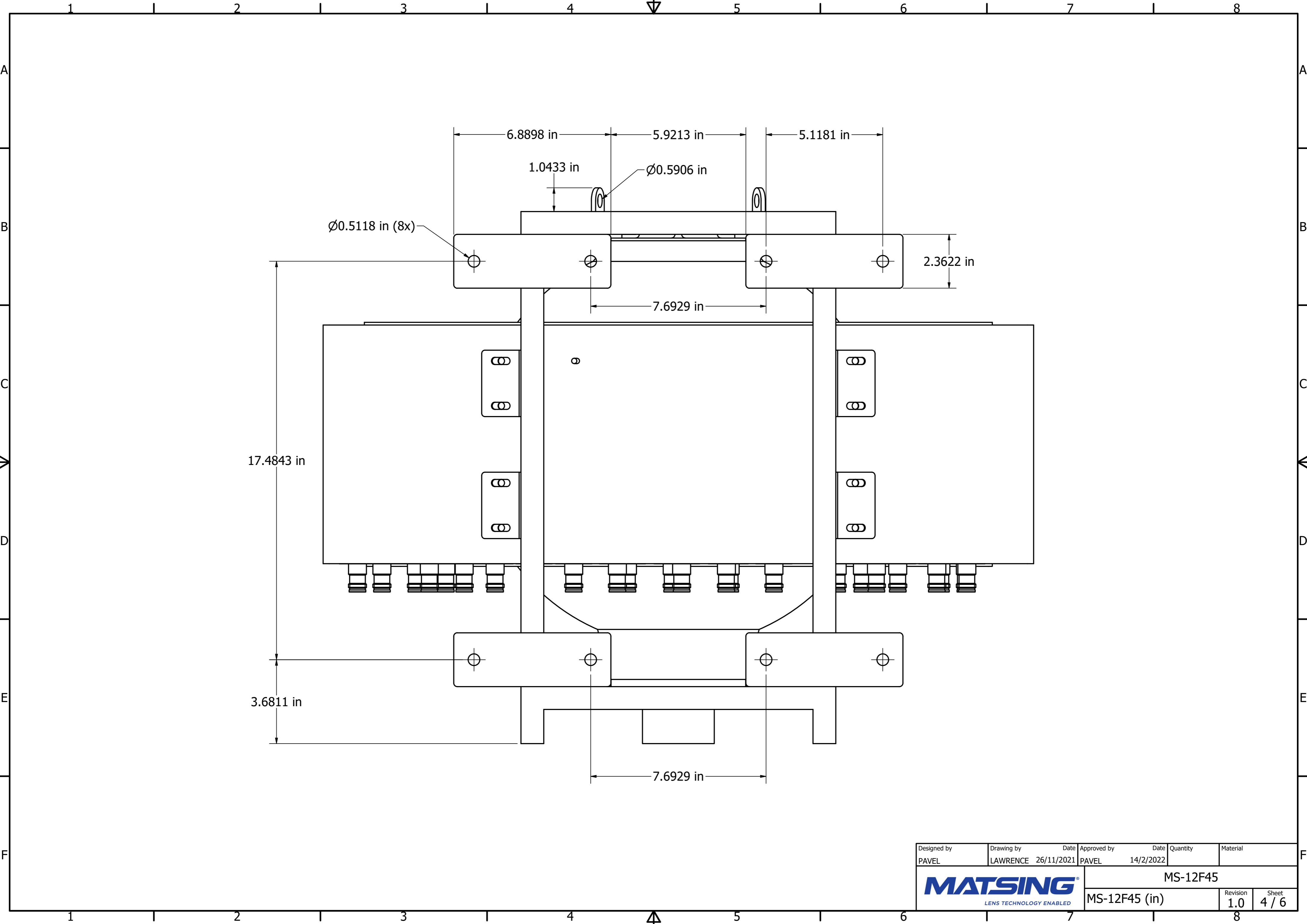
| Designed by                               | Drawing by | Date       | Approved by | Date      | Quantity | Material      |              |             |
|---|------------|------------|-------------|-----------|----------|---------------|--------------|-------------|
| PAVEL                                     | LAWRENCE   | 26/11/2021 | PAVEL       | 14/2/2022 |          |               |              |             |
| <b>MATSING</b><br>LENS TECHNOLOGY ENABLED |            |            |             |           |          | MS-12F45      |              |             |
|   |            |            |             |           |          | MS-12F45 (in) | Revision 1.0 | Sheet 1 / 6 |



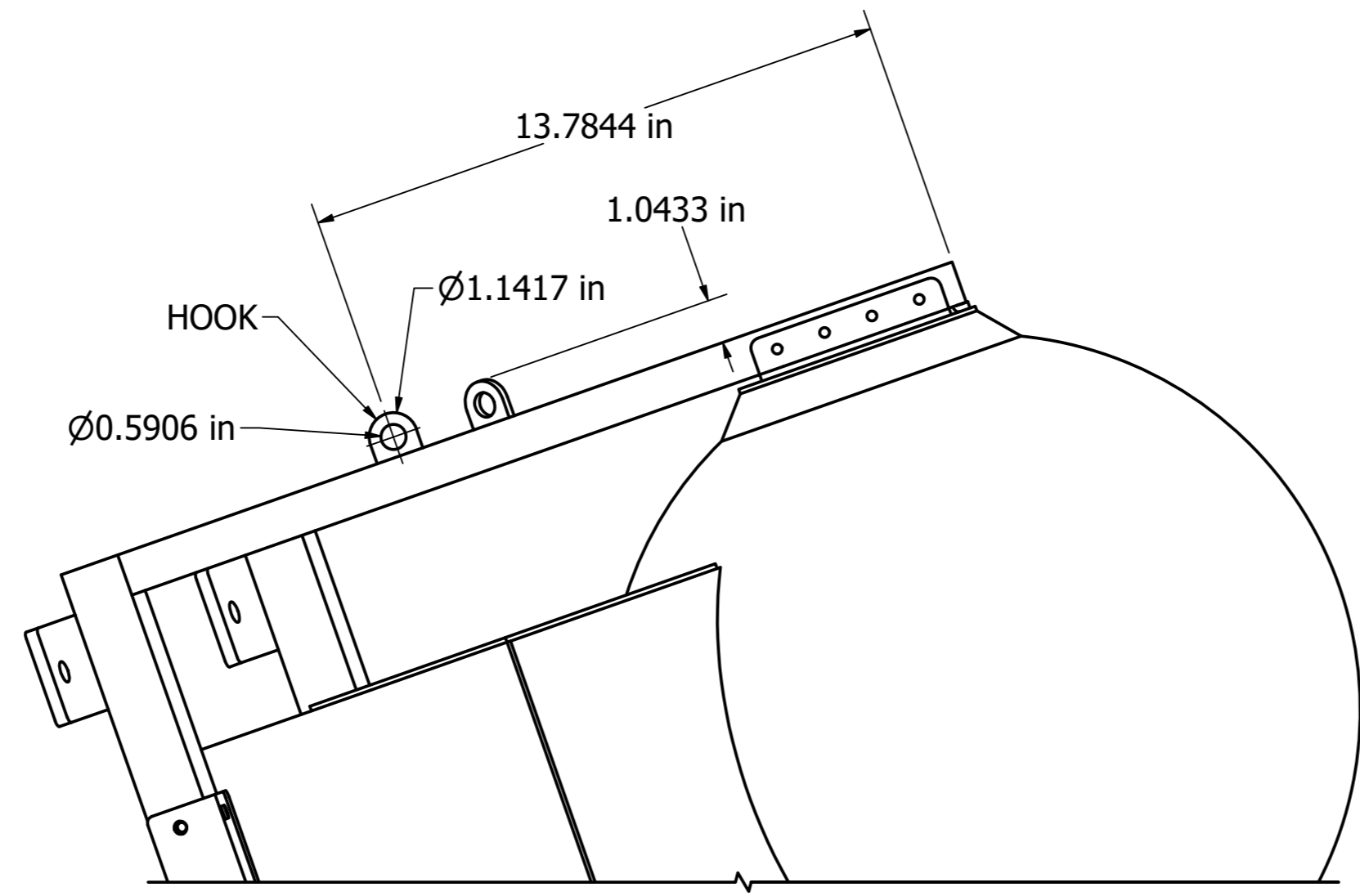
|   |                        |                    |                      |                   |                 |                |
|---|------------------------|--------------------|----------------------|-------------------|-----------------|----------------|
| Designed by<br>PAVEL                      | Drawing by<br>LAWRENCE | Date<br>26/11/2021 | Approved by<br>PAVEL | Date<br>14/2/2022 | Quantity        | Material       |
| <b>MATSING</b><br>LENS TECHNOLOGY ENABLED |                        |                    |                      |                   |                 | MS-12F45       |
| MS-12F45 (in)                             |                        |                    |                      |                   | Revision<br>1.0 | Sheet<br>2 / 6 |



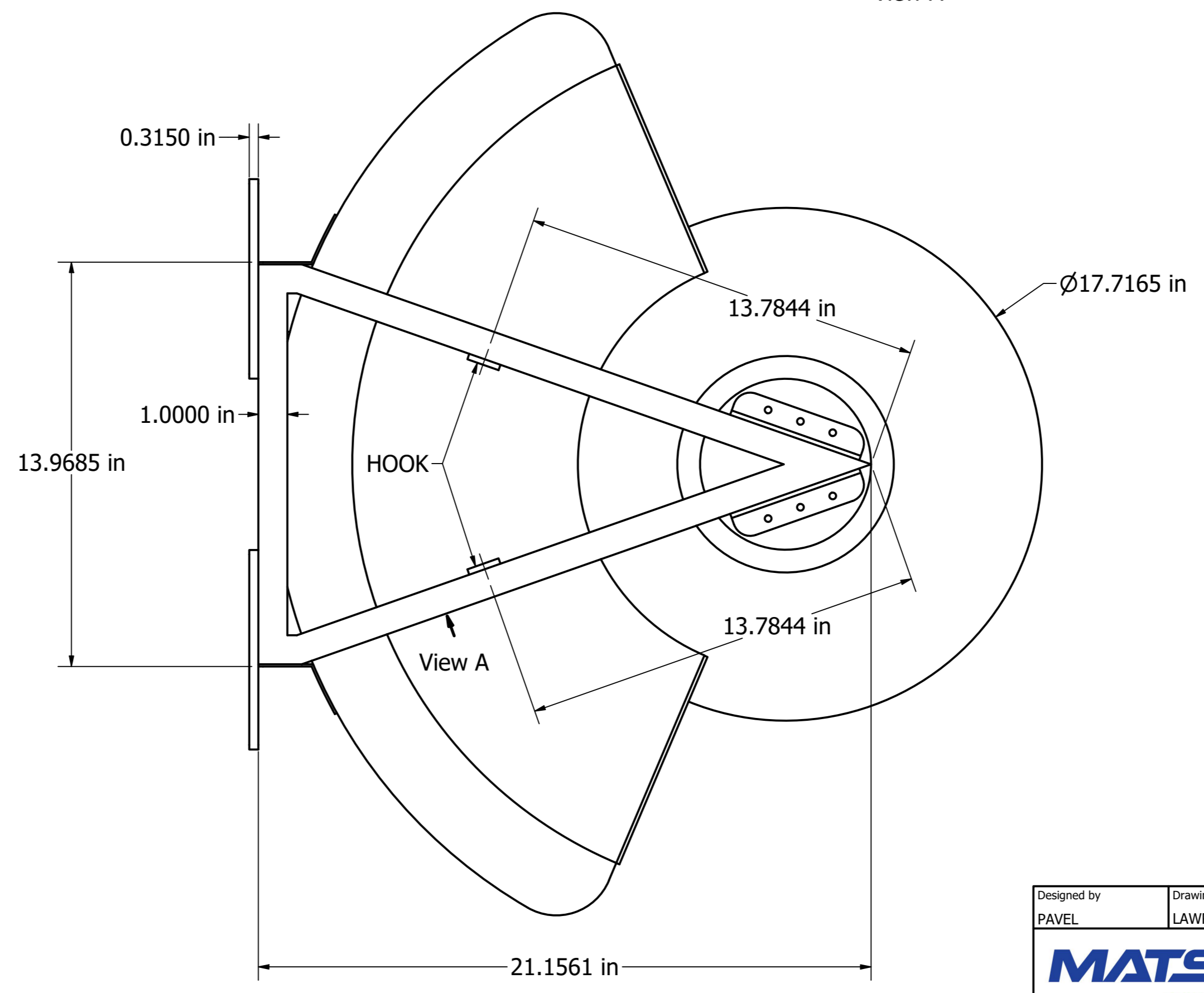
|   |                        |                    |                      |                   |                 |                |
|---|------------------------|--------------------|----------------------|-------------------|-----------------|----------------|
| Designed by<br>PAVEL                      | Drawing by<br>LAWRENCE | Date<br>26/11/2021 | Approved by<br>PAVEL | Date<br>14/2/2022 | Quantity        | Material       |
| <b>MATSING</b><br>LENS TECHNOLOGY ENABLED |                        |                    |                      |                   |                 | MS-12F45       |
| MS-12F45 (in)                             |                        |                    |                      |                   | Revision<br>1.0 | Sheet<br>3 / 6 |



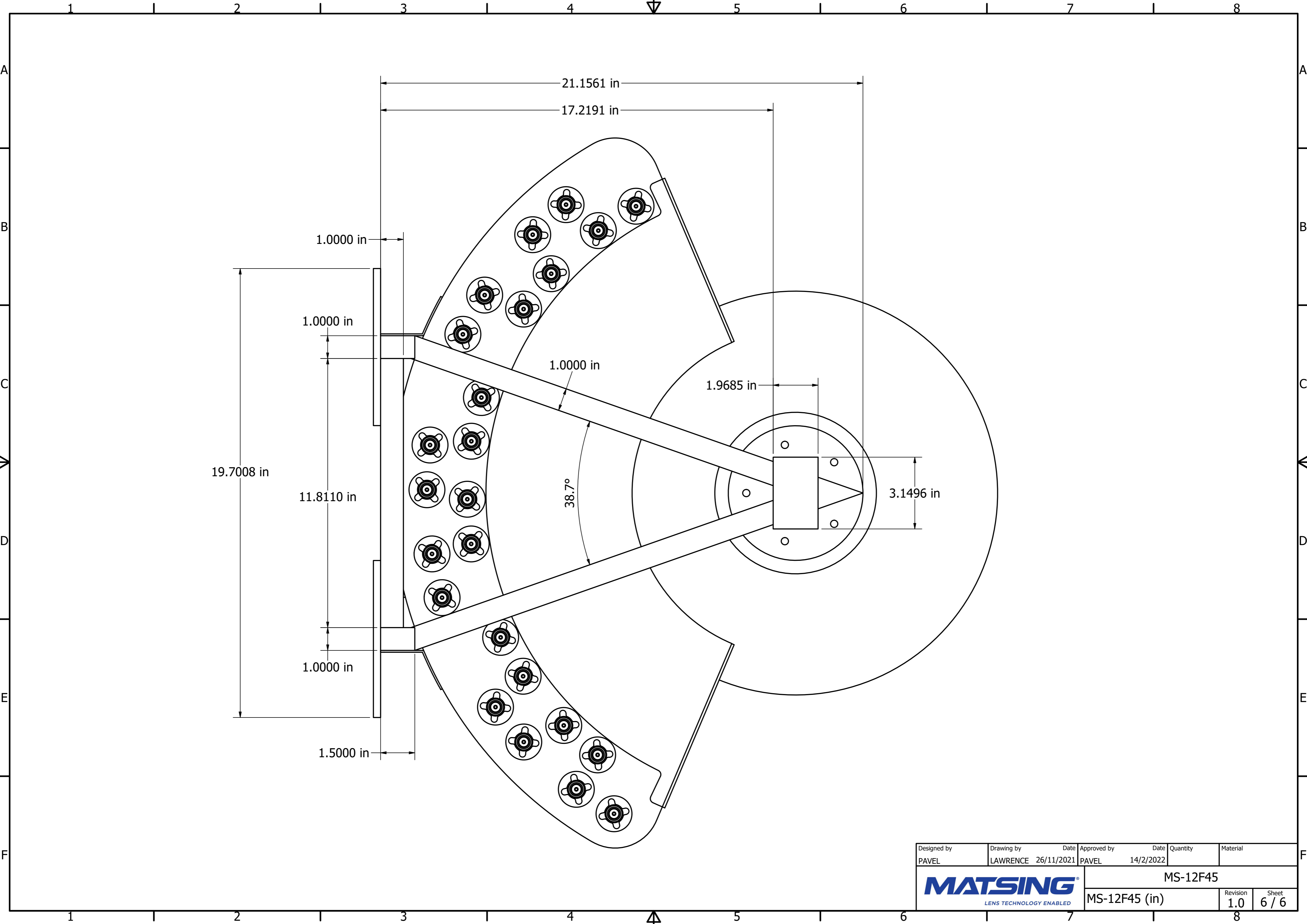
|   |                        |                    |                      |                   |                 |                |
|---|------------------------|--------------------|----------------------|-------------------|-----------------|----------------|
| Designed by<br>PAVEL                      | Drawing by<br>LAWRENCE | Date<br>26/11/2021 | Approved by<br>PAVEL | Date<br>14/2/2022 | Quantity        | Material       |
| <b>MATSING</b><br>LENS TECHNOLOGY ENABLED |                        |                    |                      |                   |                 | MS-12F45       |
| MS-12F45 (in)                             |                        |                    |                      |                   | Revision<br>1.0 | Sheet<br>4 / 6 |



View A



| Designed by                               | Drawing by | Date       | Approved by | Date      | Quantity | Material      |
|---|------------|------------|-------------|-----------|----------|---------------|
| PAVEL                                     | LAWRENCE   | 26/11/2021 | PAVEL       | 14/2/2022 |          |               |
| <b>MATSING</b><br>LENS TECHNOLOGY ENABLED |            |            |             |           |          | MS-12F45      |
|   |            |            |             |           |          | MS-12F45 (in) |
|   |            |            |             |           | Revision | Sheet         |
|   |            |            |             |           | 1.0      | 5 / 6         |



|   |                        |                    |                      |                   |                 |                |
|---|------------------------|--------------------|----------------------|-------------------|-----------------|----------------|
| Designed by<br>PAVEL                      | Drawing by<br>LAWRENCE | Date<br>26/11/2021 | Approved by<br>PAVEL | Date<br>14/2/2022 | Quantity        | Material       |
| <b>MATSING</b><br>LENS TECHNOLOGY ENABLED |                        |                    |                      |                   |                 | MS-12F45       |
| MS-12F45 (in)                             |                        |                    |                      |                   | Revision<br>1.0 | Sheet<br>6 / 6 |