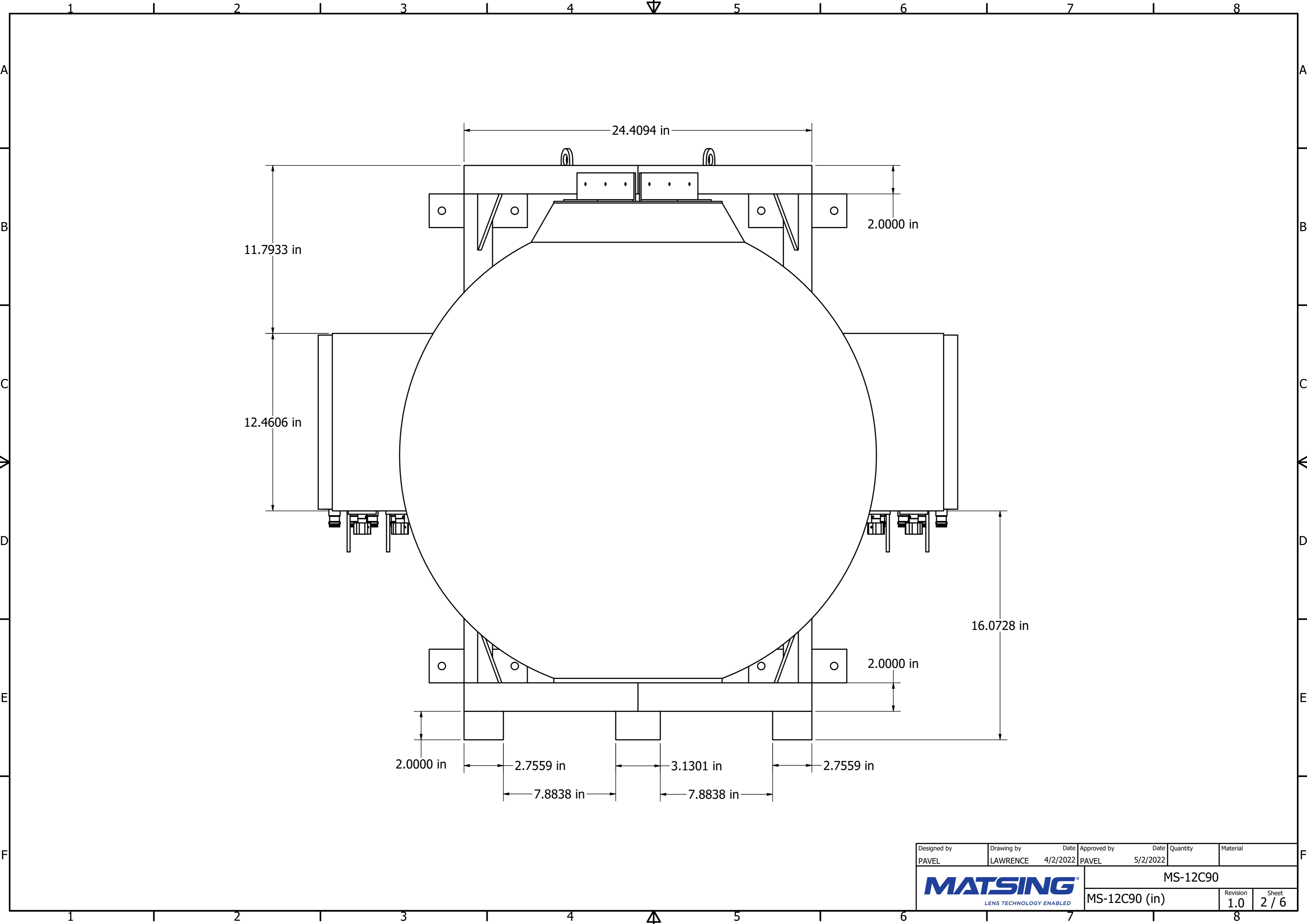
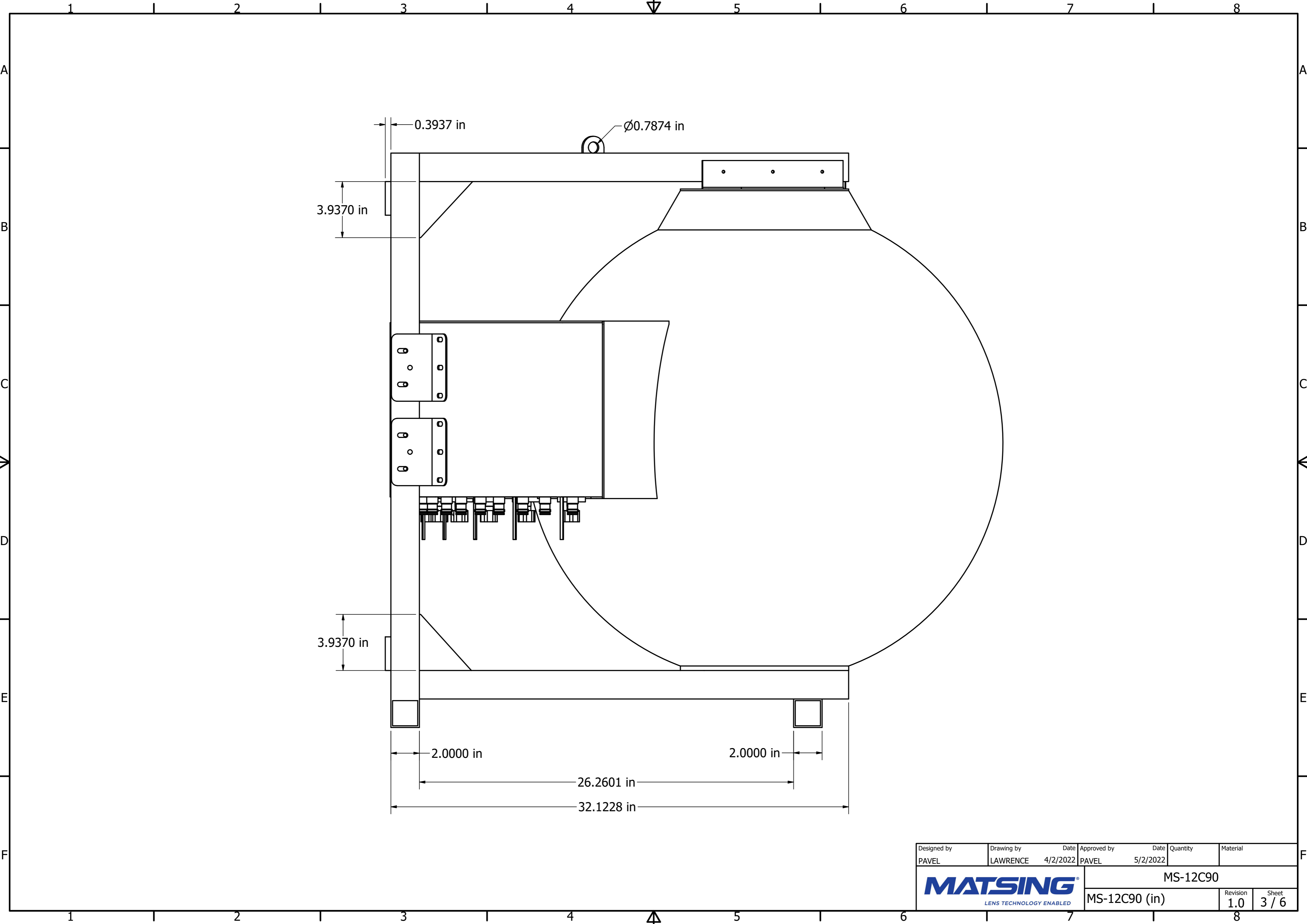


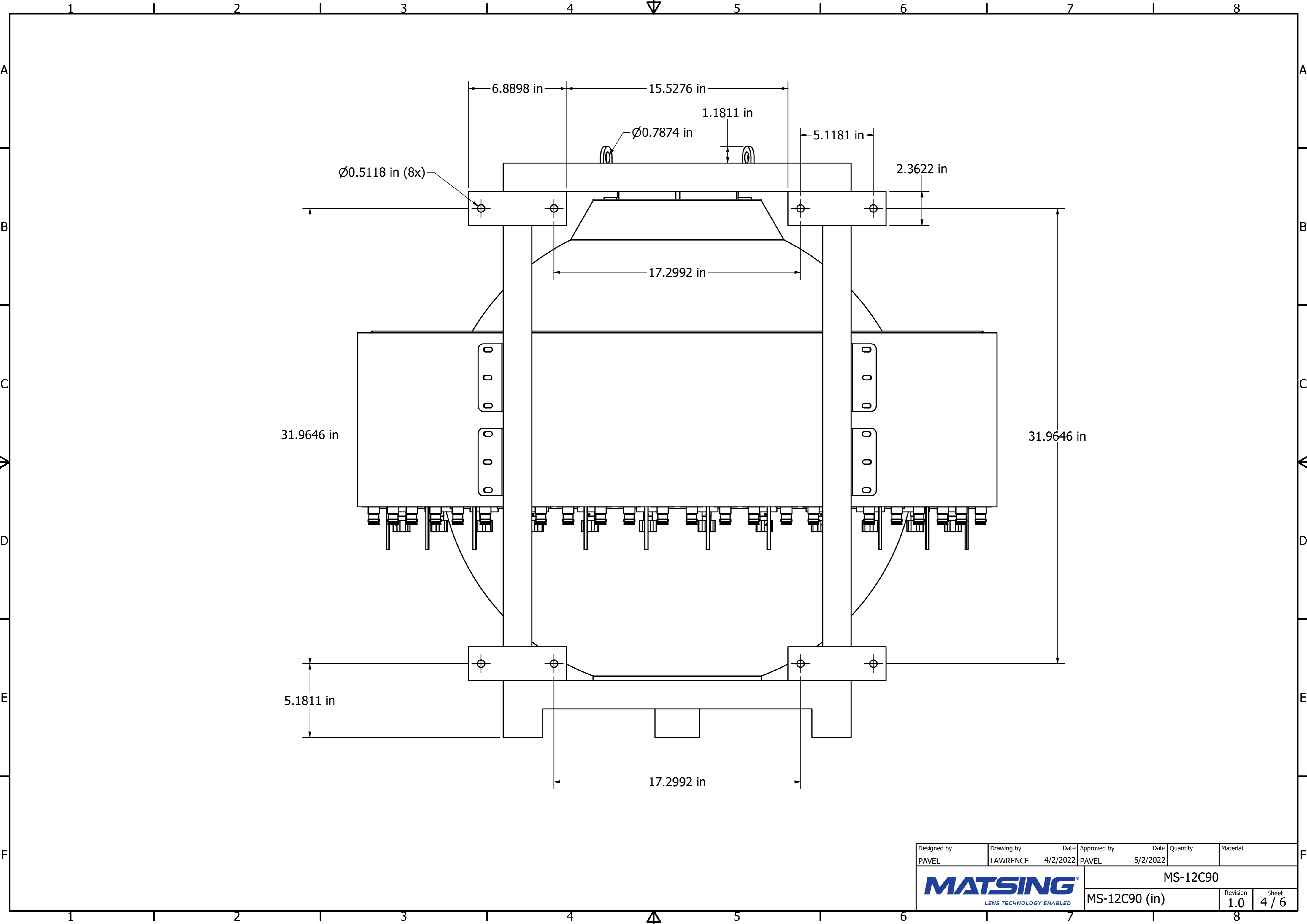
Designed by	Drawing by	Date	Approved by	Date	Quantity	Material
PAVEL	LAWRENCE	4/2/2022	PAVEL	5/2/2022		
MATSING LENS TECHNOLOGY ENABLED						MS-12C90
						MS-12C90 (in)
						Revision 1.0
						Sheet 1 / 6



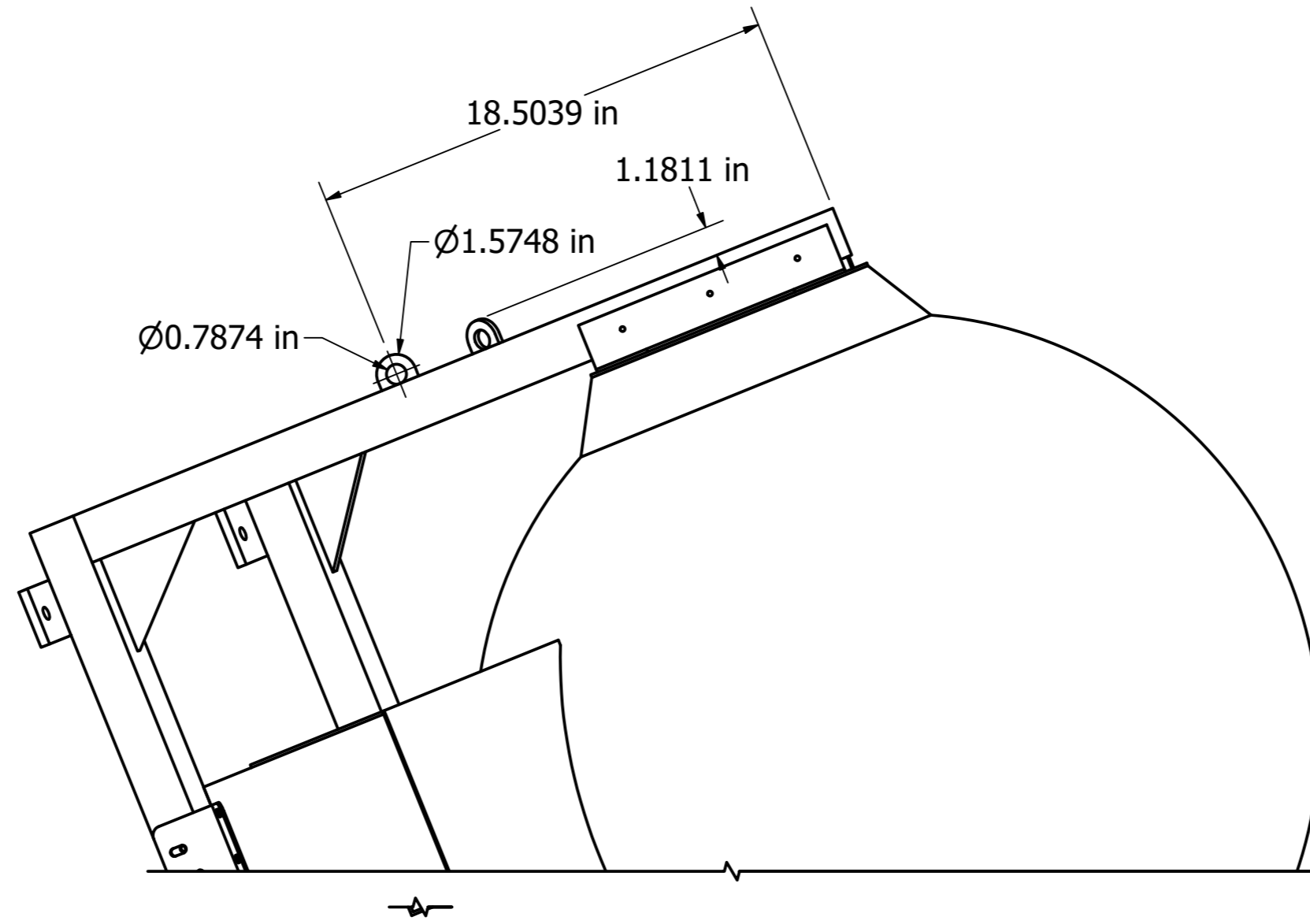
Designed by	Drawing by	Date	Approved by	Date	Quantity	Material	
PAVEL	LAWRENCE	4/2/2022	PAVEL	5/2/2022			
MATSING LENS TECHNOLOGY ENABLED						MS-12C90	
MS-12C90 (in)						Revision 1.0	Sheet 2 / 6



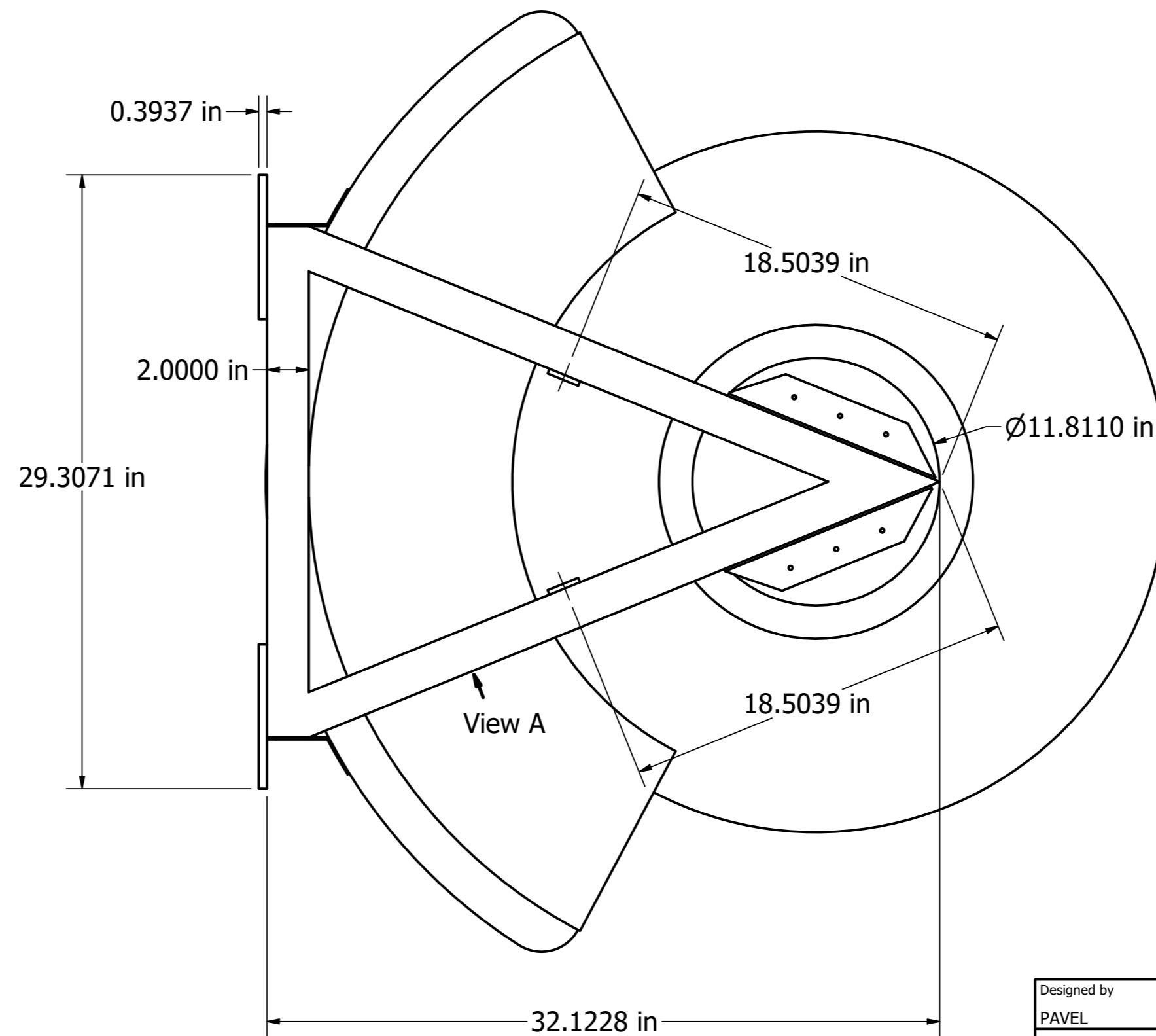
Designed by PAVEL	Drawing by LAWRENCE	Date 4/2/2022	Approved by PAVEL	Date 5/2/2022	Quantity	Material
MATSING LENS TECHNOLOGY ENABLED						MS-12C90
MS-12C90 (in)					Revision 1.0	Sheet 3 / 6



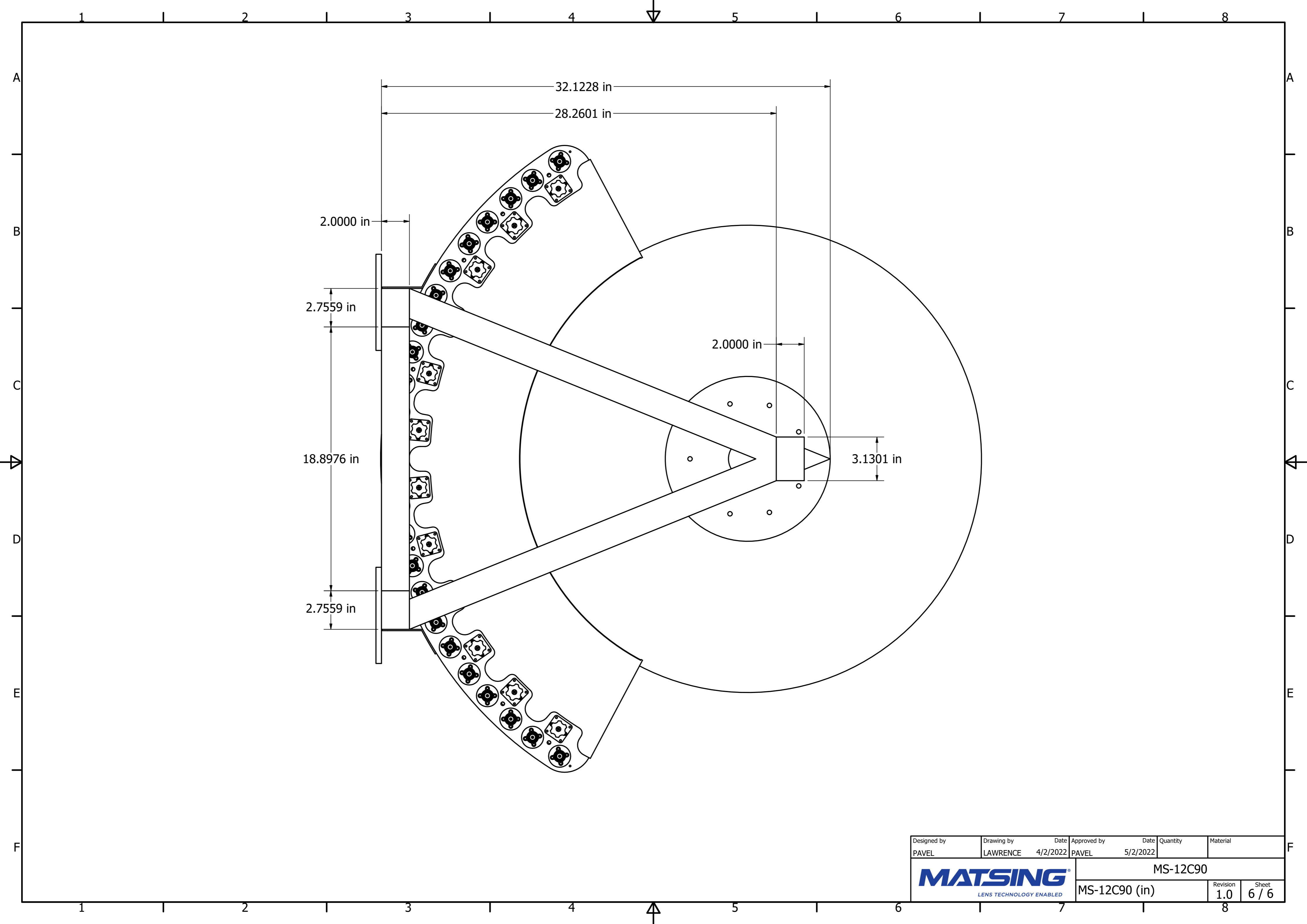
Designed by PAVEL	Drawing by LAWRENCE	Date 4/2/2022	Approved by PAVEL	Date 5/2/2022	Quantity	Material
MATSING LENS TECHNOLOGY ENABLED						MS-12C90
MS-12C90 (in)					Revision 1.0	Sheet 4 / 6



View A



Designed by	Drawing by	Date	Approved by	Date	Quantity	Material
PAVEL	LAWRENCE	4/2/2022	PAVEL	5/2/2022		
MATSING LENS TECHNOLOGY ENABLED						MS-12C90
						MS-12C90 (in)
					Revision	Sheet
					1.0	5 / 6



Designed by PAVEL	Drawing by LAWRENCE	Date 4/2/2022	Approved by PAVEL	Date 5/2/2022	Quantity	Material
MATSING LENS TECHNOLOGY ENABLED						MS-12C90
MS-12C90 (in)					Revision 1.0	Sheet 6 / 6