

## Wind Load

## Antenna MS-12C45

**Antenna Model Number**

MS-12C45

**Velocity [km/h]**

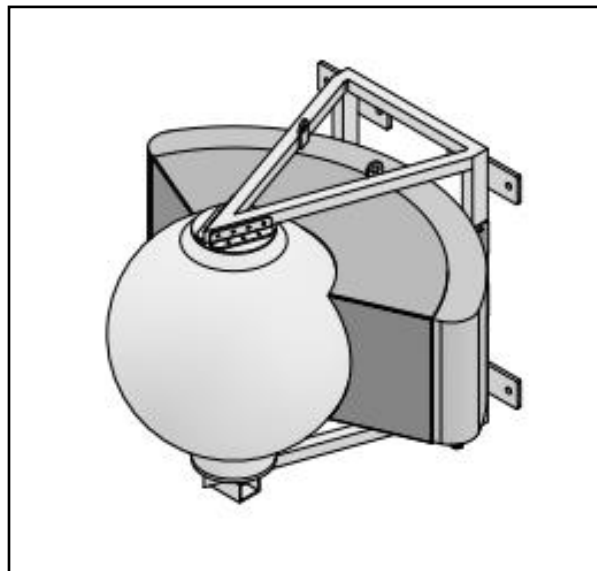
150

**Dimensions: H x W x D [mm]**

610 x 610 x 700

**Spherical Lens Diameter [mm]**

450



## Results

	<b>Frontal</b>	<b>Lateral</b>
<b>Antenna Drag Coefficient</b>	0.72	0.54
<b>Frontal Wind Load [N/lbf]</b>	284.8/64	245/55