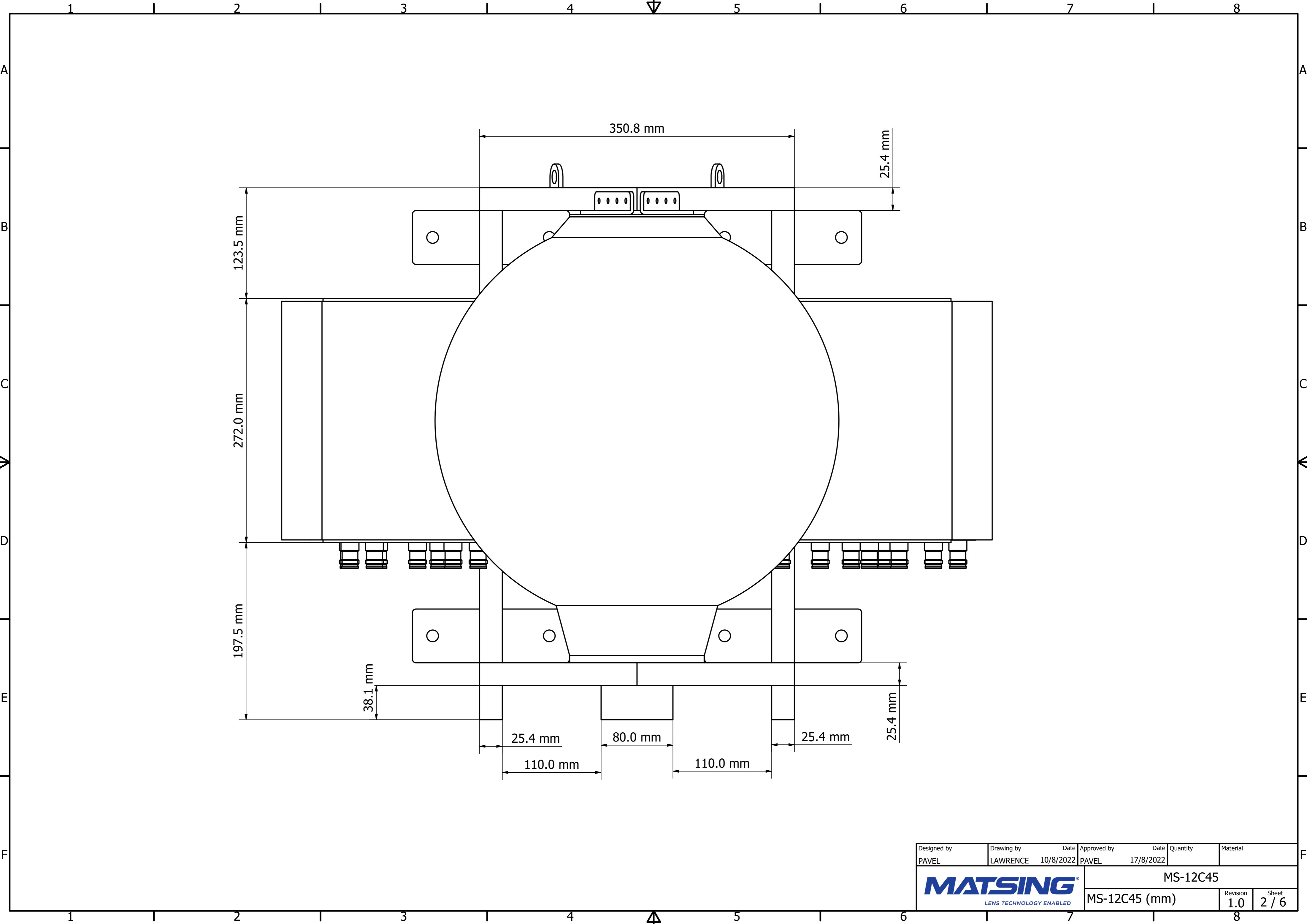
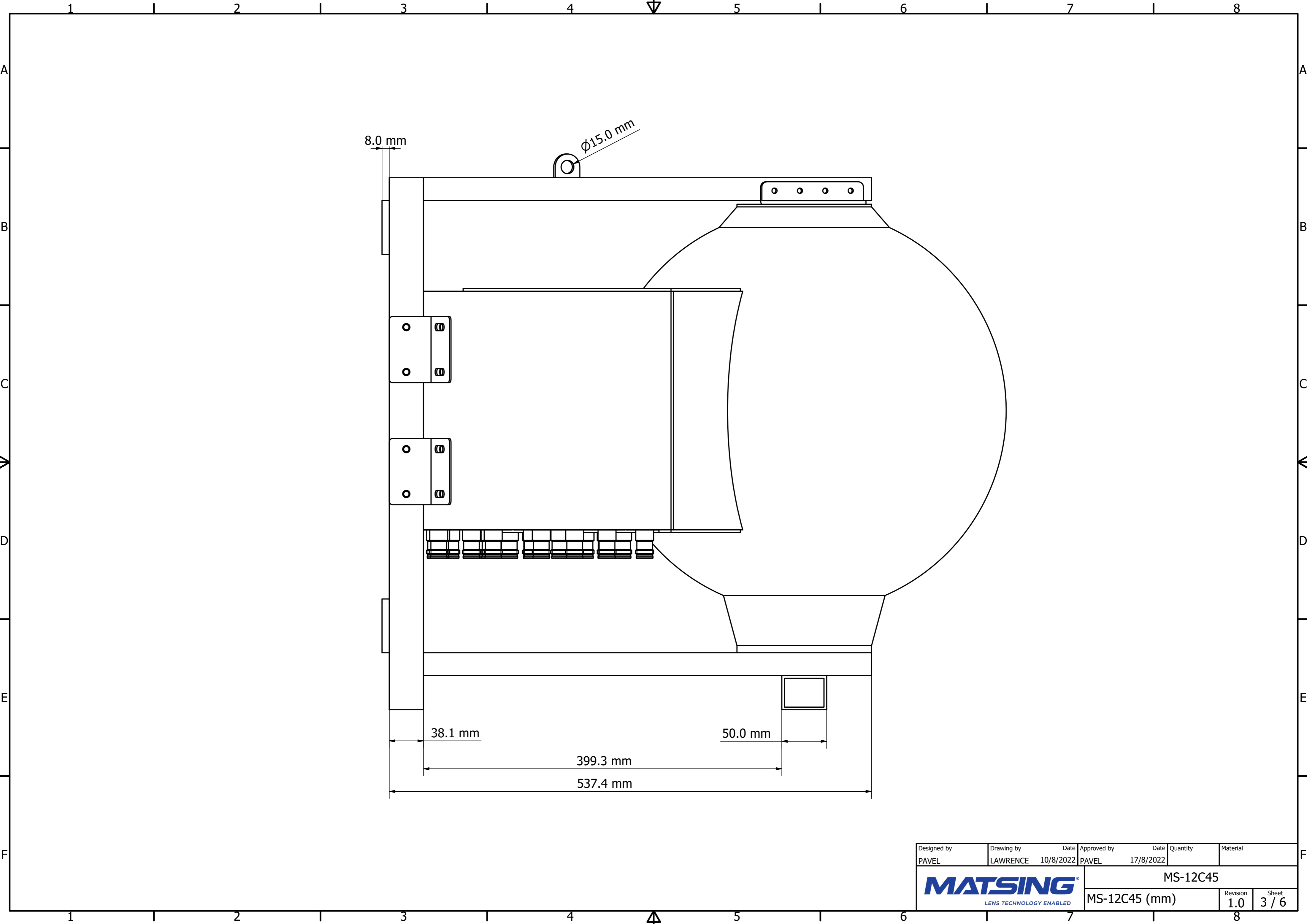


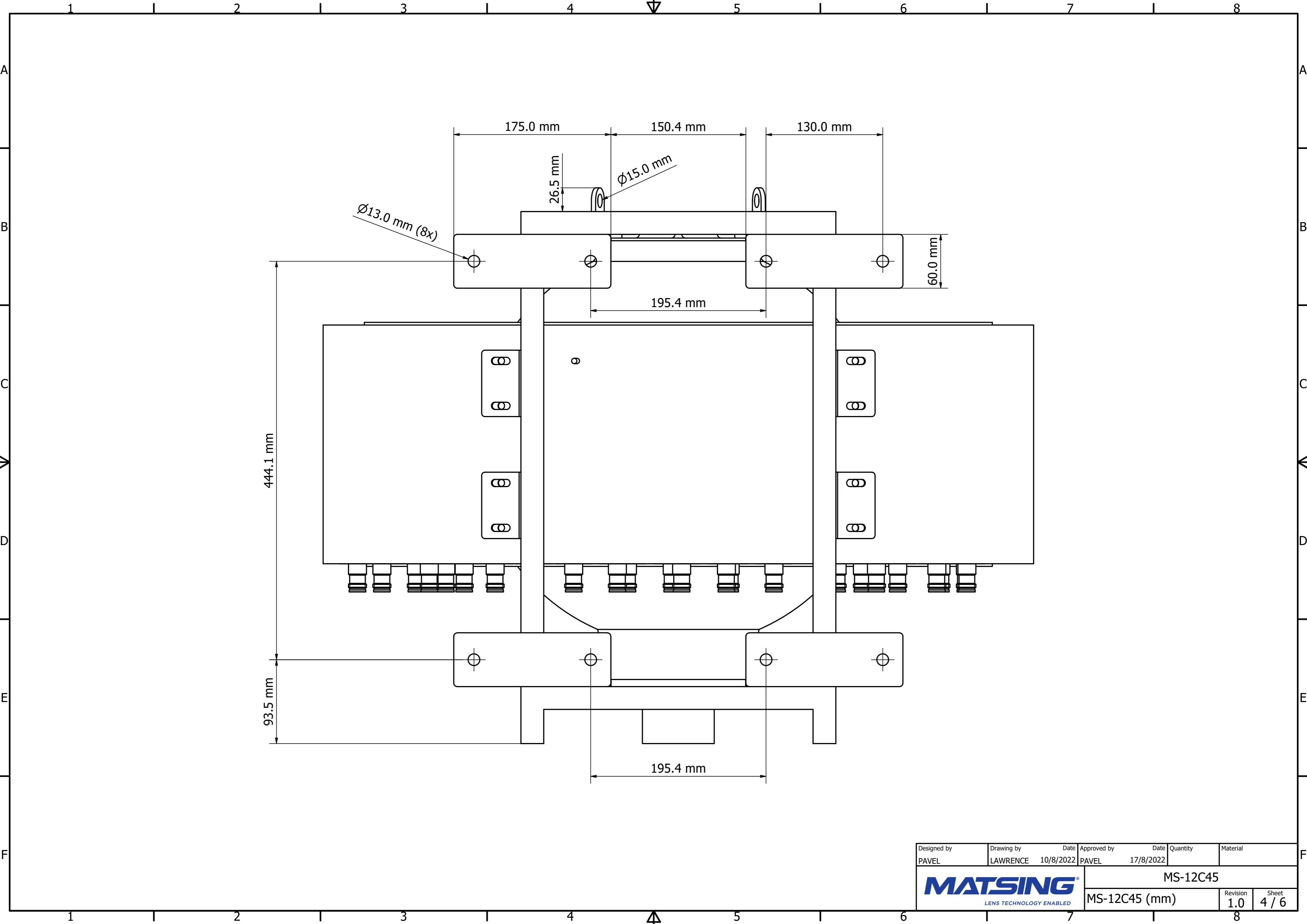
Designed by	Drawing by	Date	Approved by	Date	Quantity	Material	
PAVEL	LAWRENCE	10/8/2022	PAVEL	17/8/2022			
MATSING LENS TECHNOLOGY ENABLED						MS-12C45	
MS-12C45 (mm)						Revision 1.0	Sheet 1 / 6



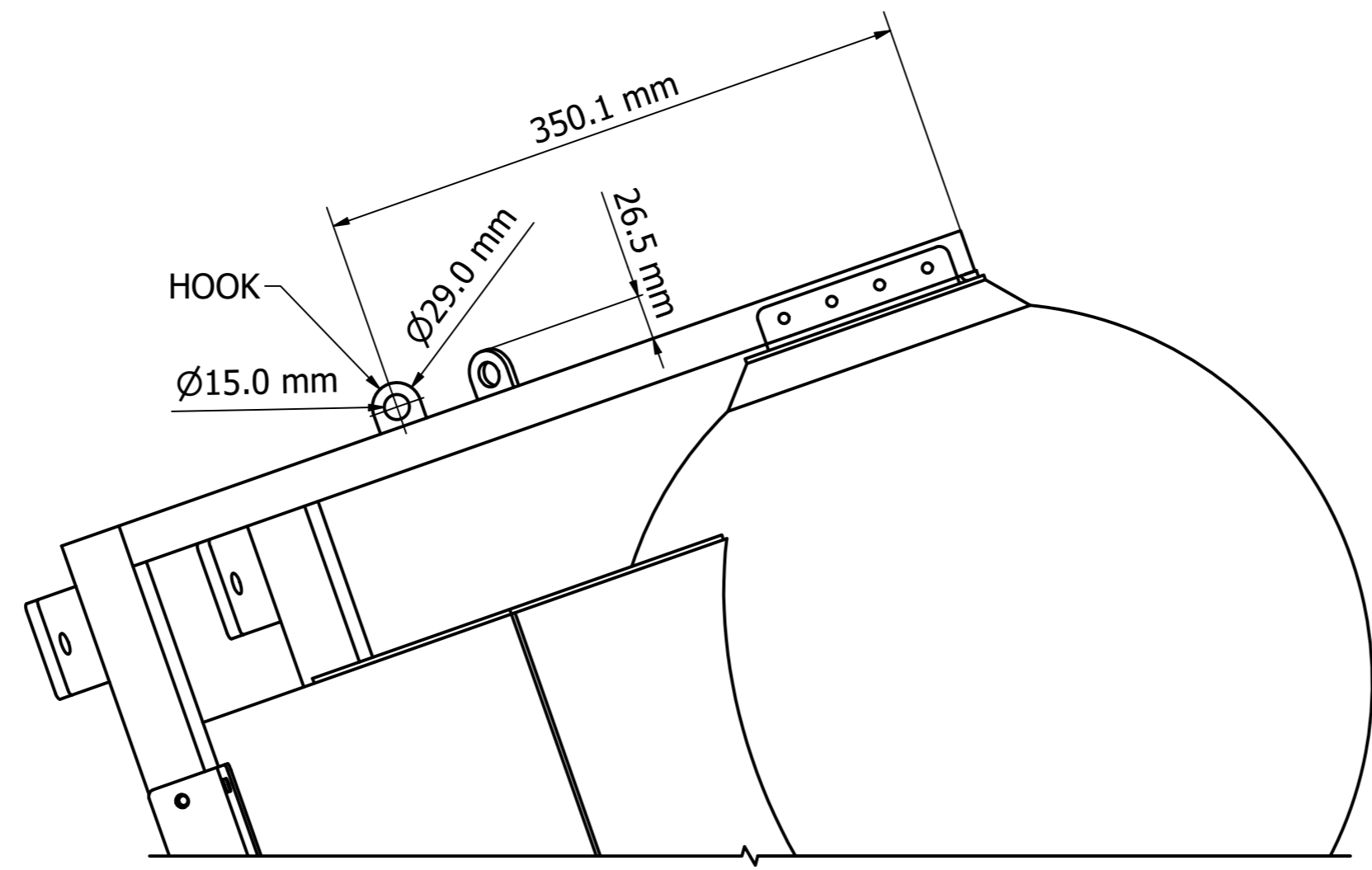
Designed by PAVEL	Drawing by LAWRENCE	Date 10/8/2022	Approved by PAVEL	Date 17/8/2022	Quantity	Material
MATSING LENS TECHNOLOGY ENABLED						MS-12C45
MS-12C45 (mm)					Revision 1.0	Sheet 2 / 6



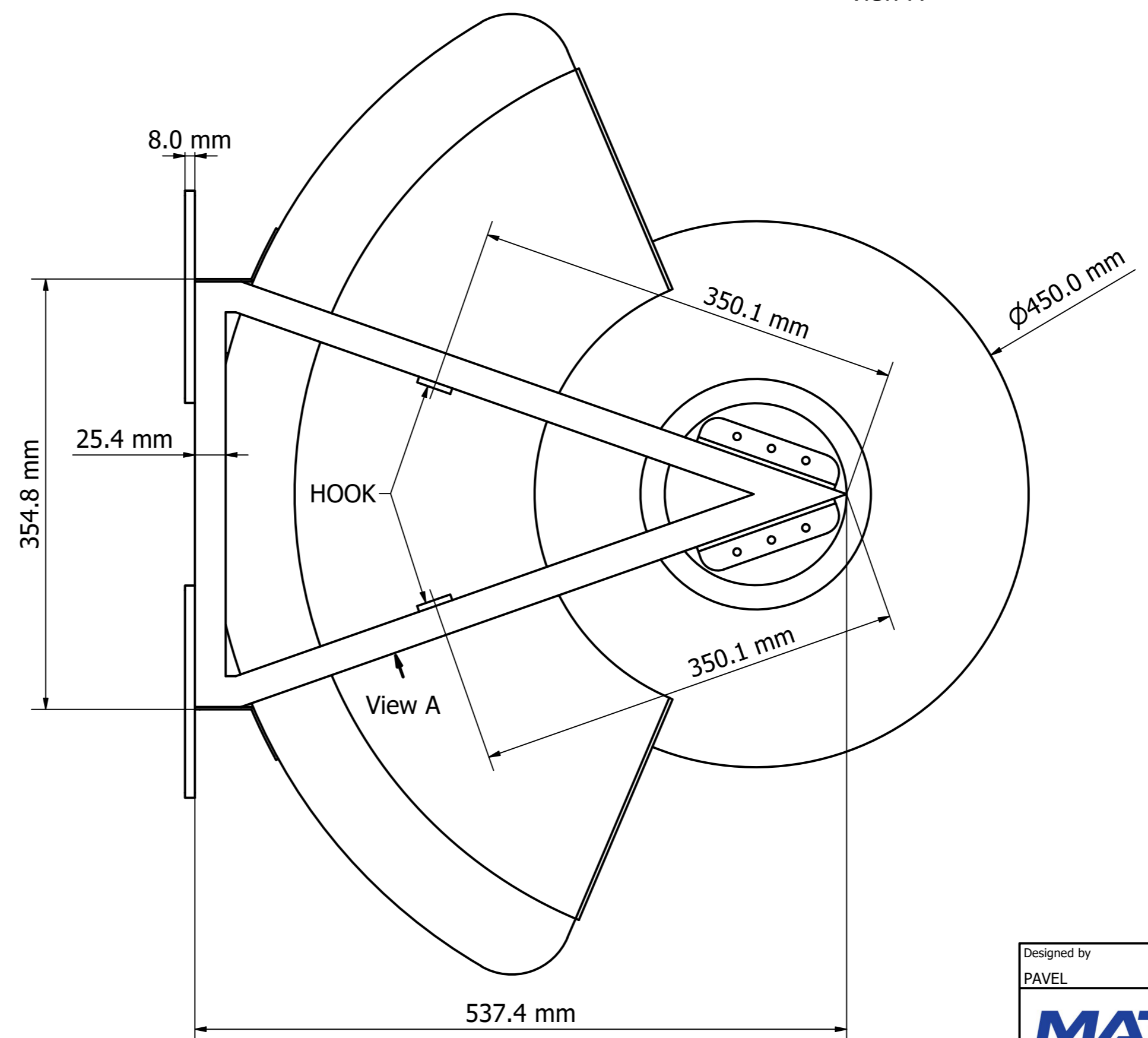
Designed by PAVEL	Drawing by LAWRENCE	Date 10/8/2022	Approved by PAVEL	Date 17/8/2022	Quantity	Material
MATSING LENS TECHNOLOGY ENABLED						MS-12C45
MS-12C45 (mm)					Revision 1.0	Sheet 3 / 6



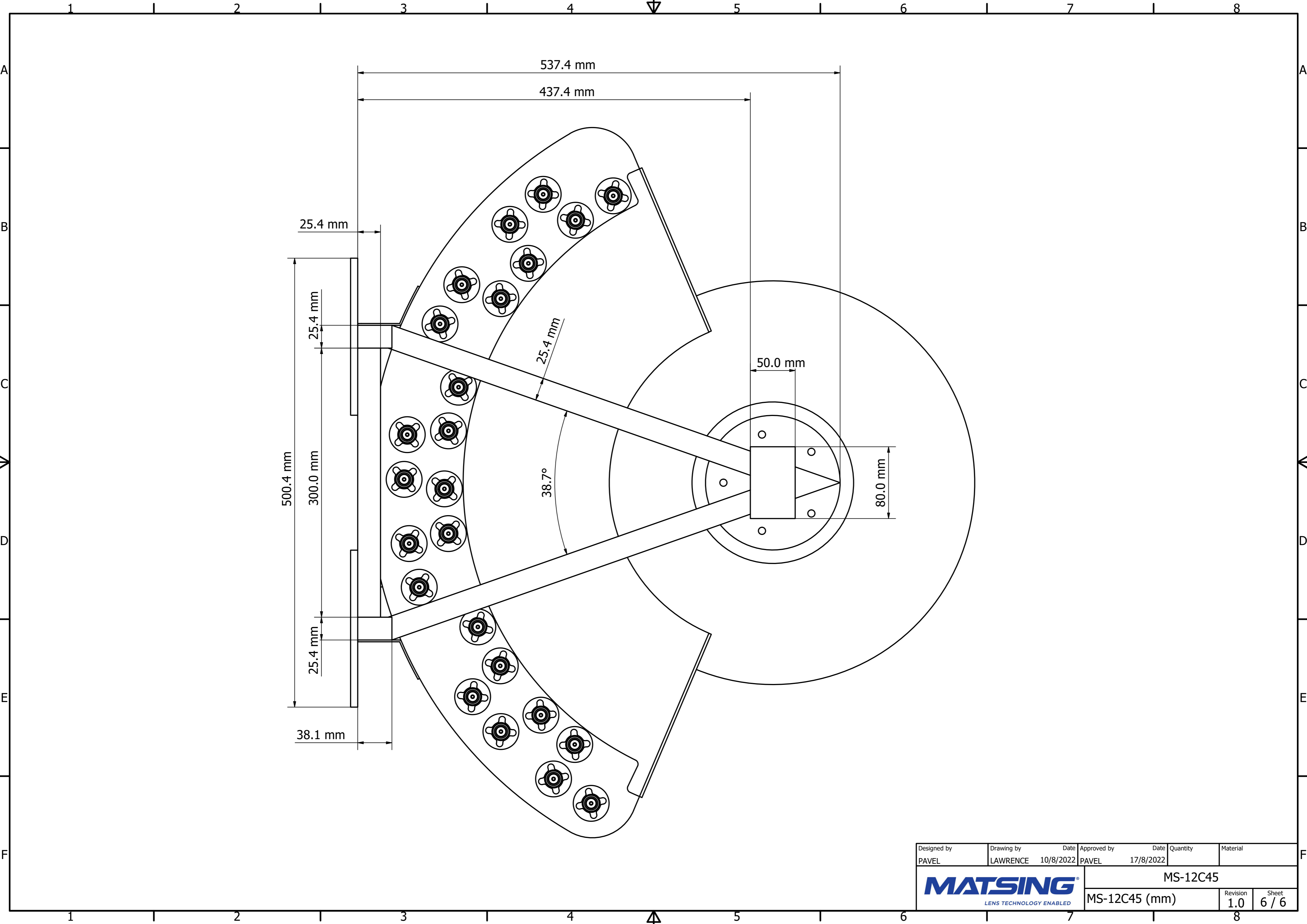
Designed by PAVEL	Drawing by LAWRENCE	Date 10/8/2022	Approved by PAVEL	Date 17/8/2022	Quantity	Material
MATSING LENS TECHNOLOGY ENABLED						MS-12C45
MS-12C45 (mm)					Revision 1.0	Sheet 4 / 6



View A



Designed by PAVEL	Drawing by LAWRENCE	Date 10/8/2022	Approved by PAVEL	Date 17/8/2022	Quantity	Material
MATSING LENS TECHNOLOGY ENABLED						MS-12C45
MS-12C45 (mm)					Revision 1.0	Sheet 5 / 6



Designed by PAVEL	Drawing by LAWRENCE	Date 10/8/2022	Approved by PAVEL	Date 17/8/2022	Quantity	Material
MATSING LENS TECHNOLOGY ENABLED						MS-12C45
MS-12C45 (mm)					Revision 1.0	Sheet 6 / 6