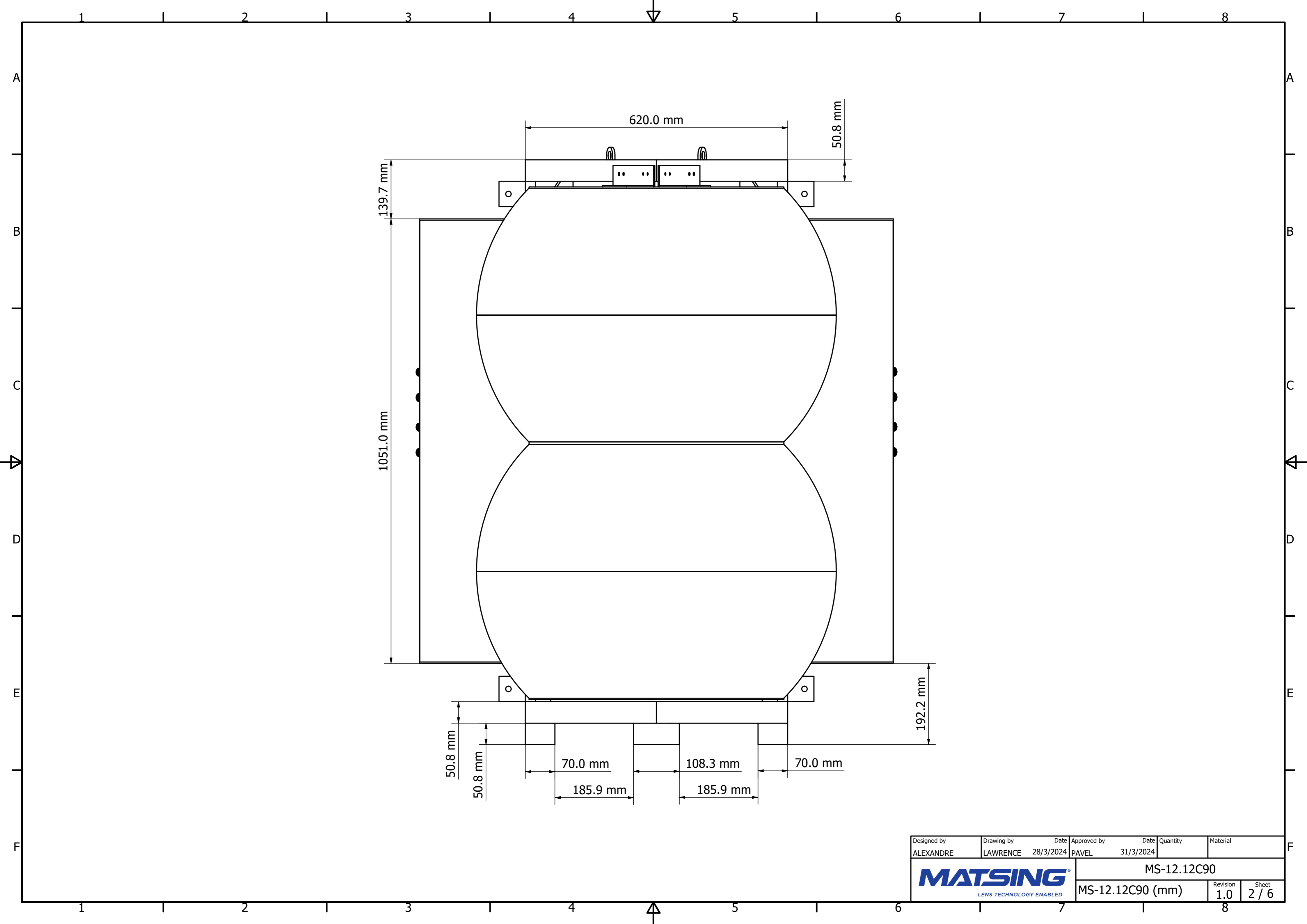
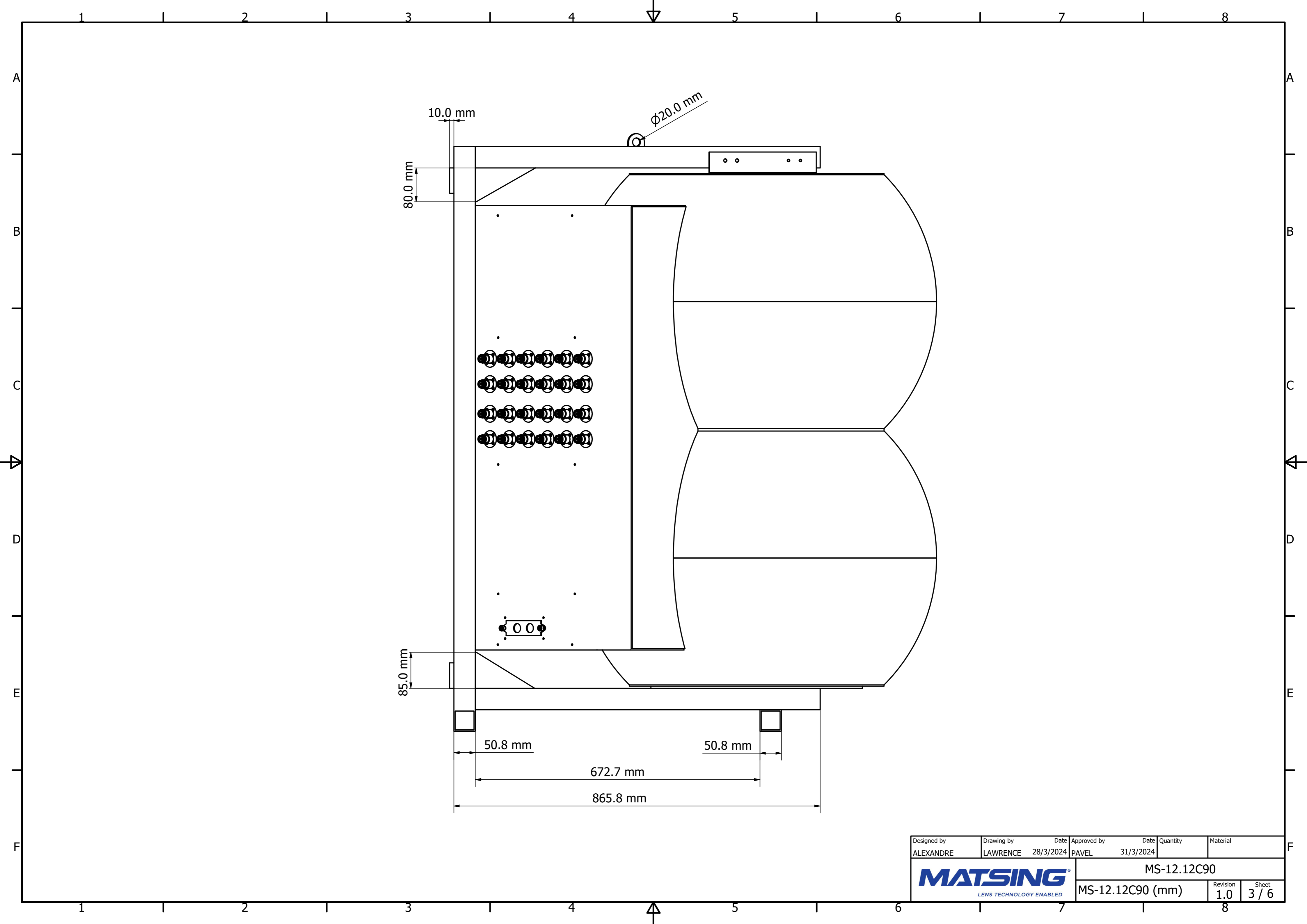
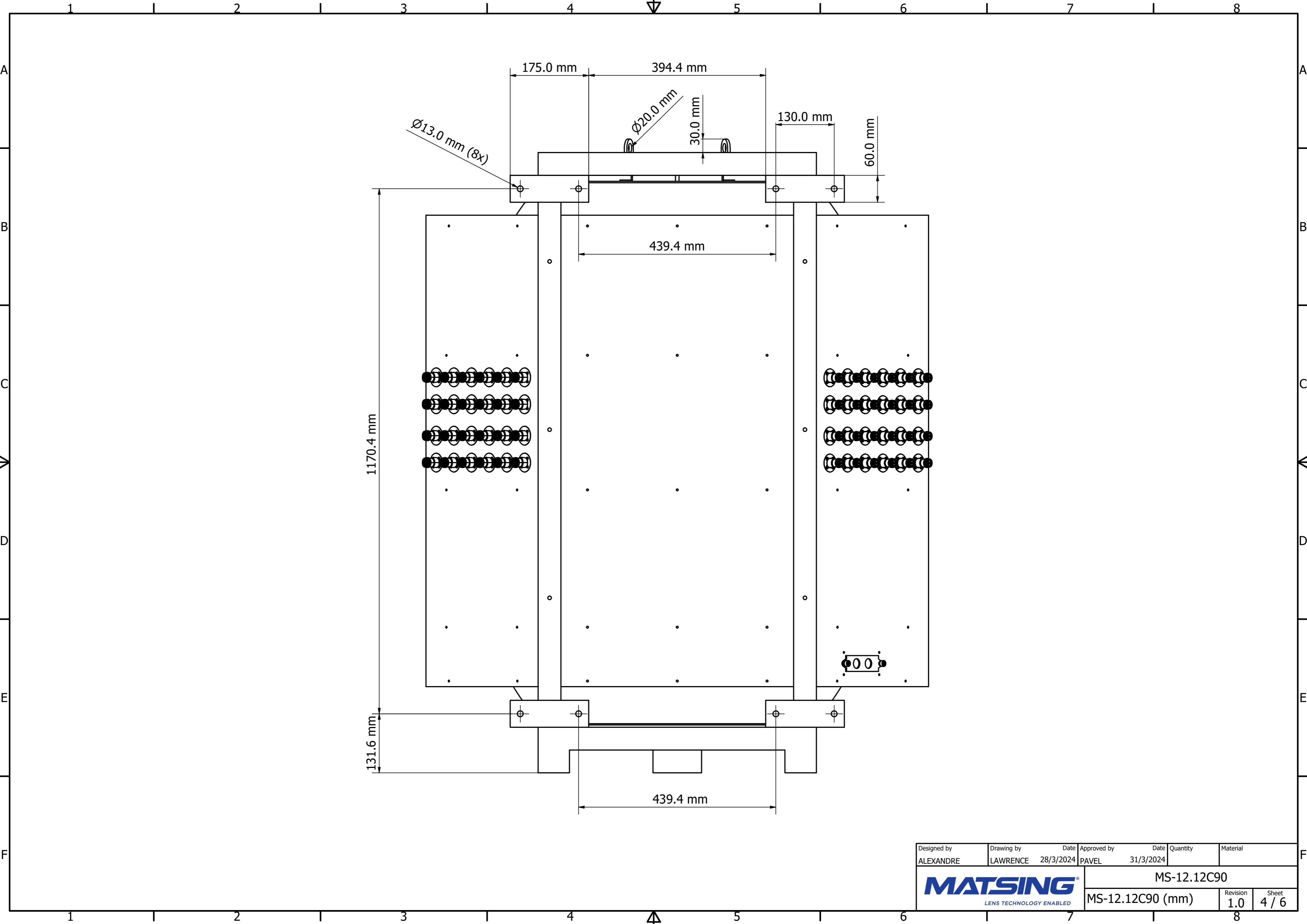


Designed by ALEXANDRE	Drawing by LAWRENCE	Date 28/3/2024	Approved by PAVEL	Date 31/3/2024	Quantity	Material
<b>MATSING</b> LENS TECHNOLOGY ENABLED						MS-12.12C90
MS-12.12C90 (mm)					Revision 1.0	Sheet 1 / 6

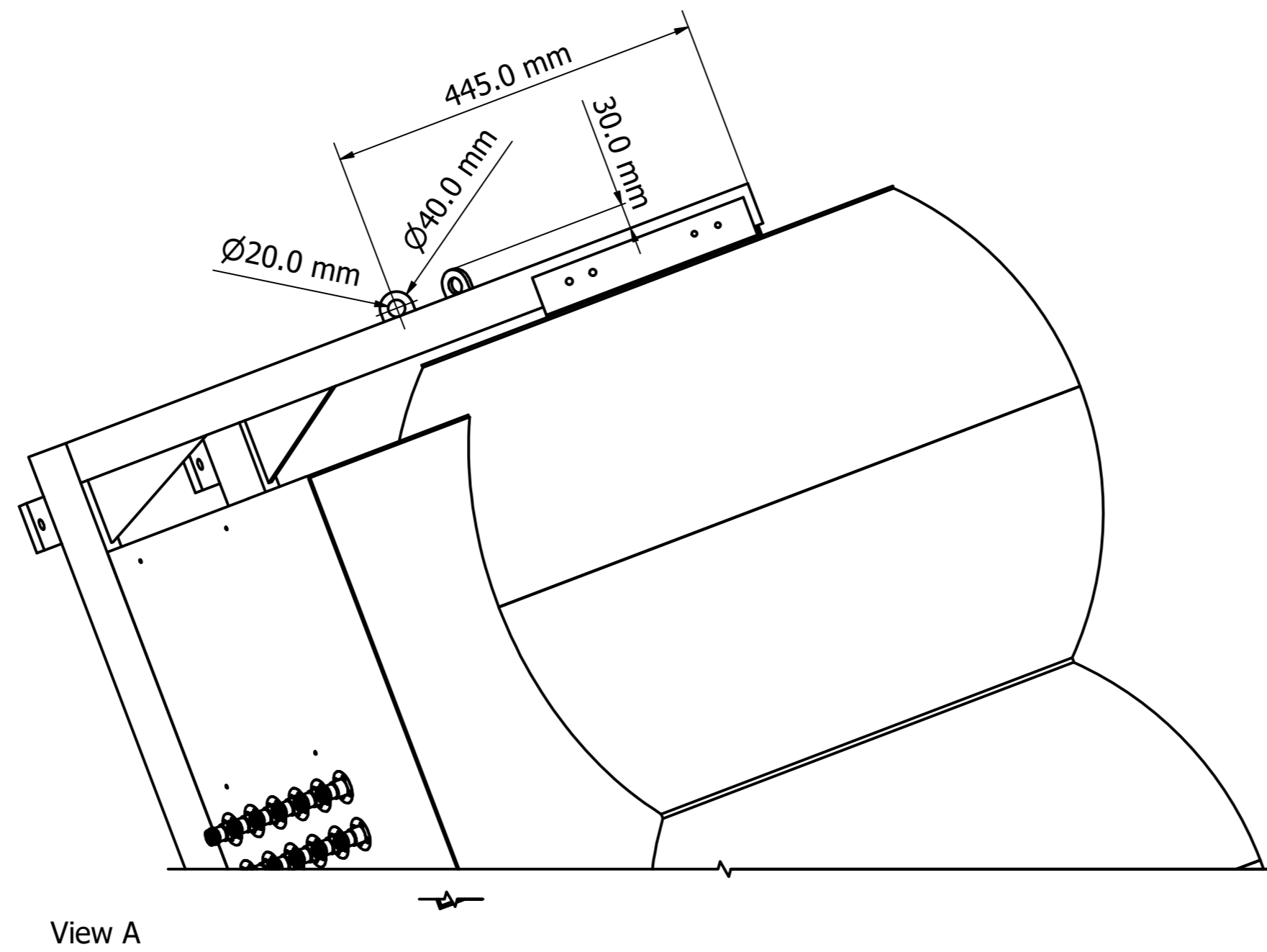




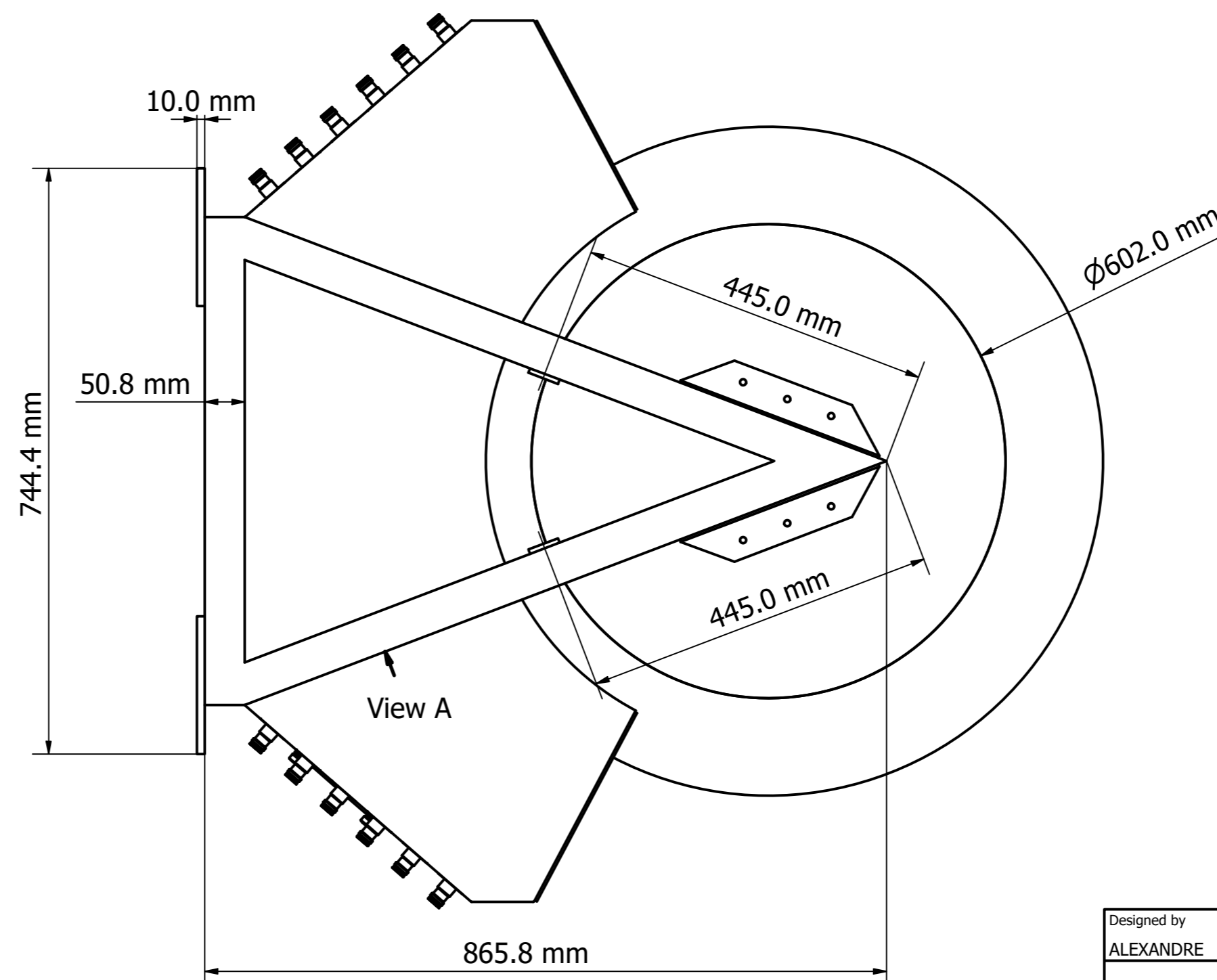
Designed by ALEXANDRE	Drawing by LAWRENCE	Date 28/3/2024	Approved by PAVEL	Date 31/3/2024	Quantity	Material	
<b>MATSING</b> LENS TECHNOLOGY ENABLED						MS-12.12C90	
MS-12.12C90 (mm)						Revision 1.0	Sheet 3 / 6



Designed by ALEXANDRE	Drawing by LAWRENCE	Date 28/3/2024	Approved by PAVEL	Date 31/3/2024	Quantity	Material
						MS-12.12C90
						MS-12.12C90 (mm)

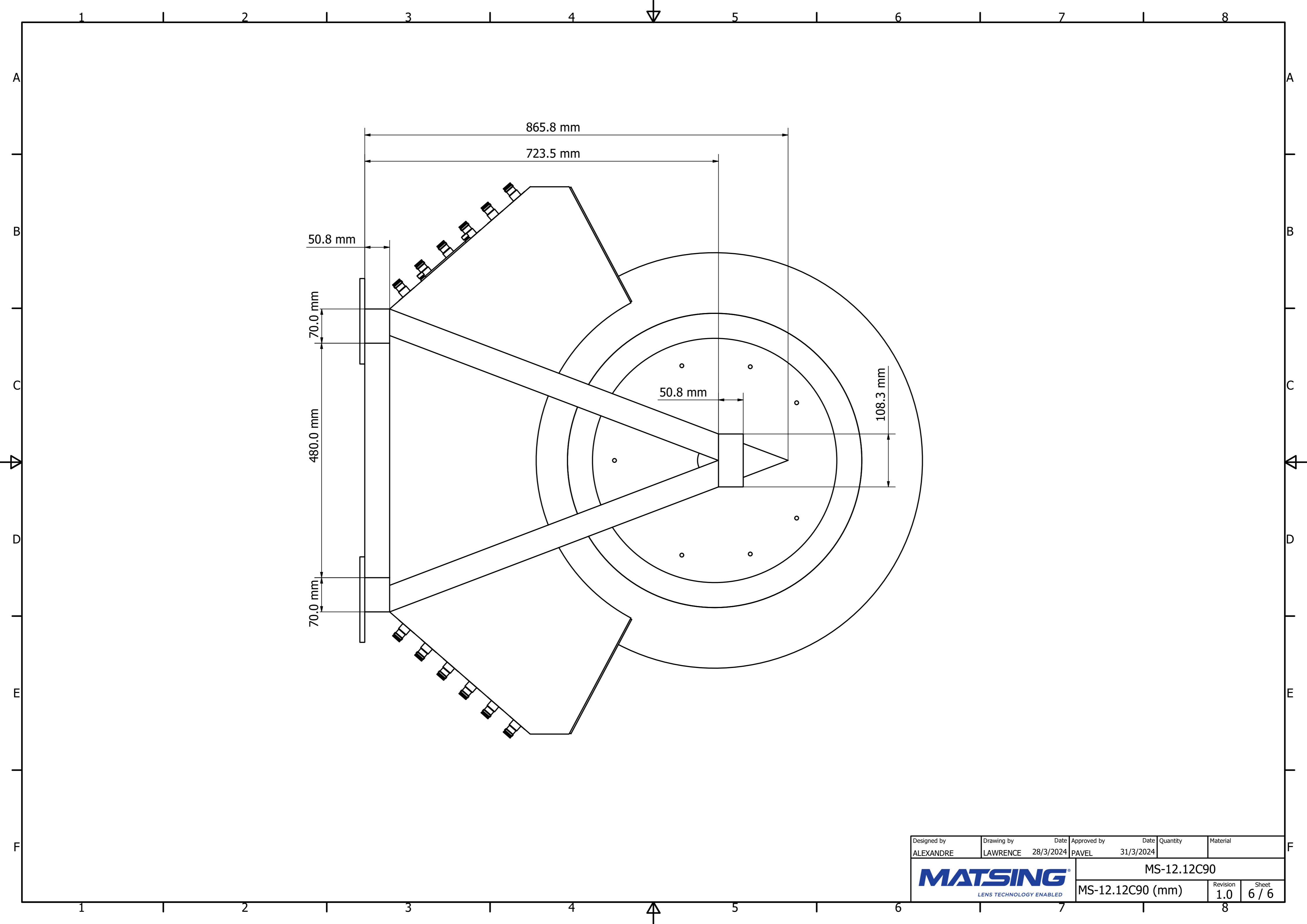



View A



View A

Designed by	Drawing by	Date	Approved by	Date	Quantity	Material
ALEXANDRE	LAWRENCE	28/3/2024	PAVEL	31/3/2024		
<b>MATSING</b> LENS TECHNOLOGY ENABLED						MS-12.12C90
						MS-12.12C90 (mm)
					Revision	Sheet
					1.0	5 / 6



Designed by	Drawing by	Date	Approved by	Date	Quantity	Material	
ALEXANDRE	LAWRENCE	28/3/2024	PAVEL	31/3/2024			
						MS-12.12C90	
						MS-12.12C90 (mm)	Revision
						1.0	6 / 6