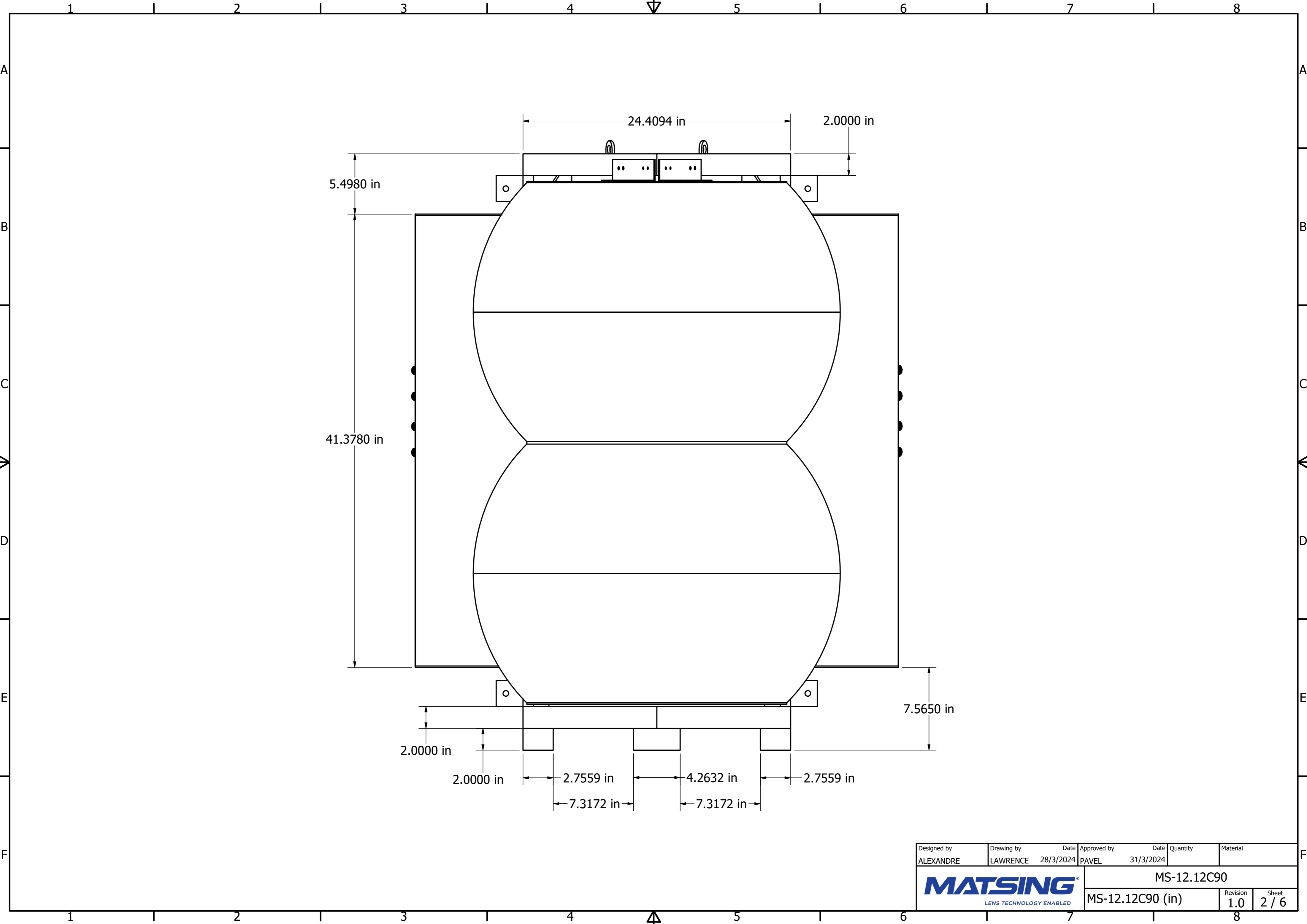

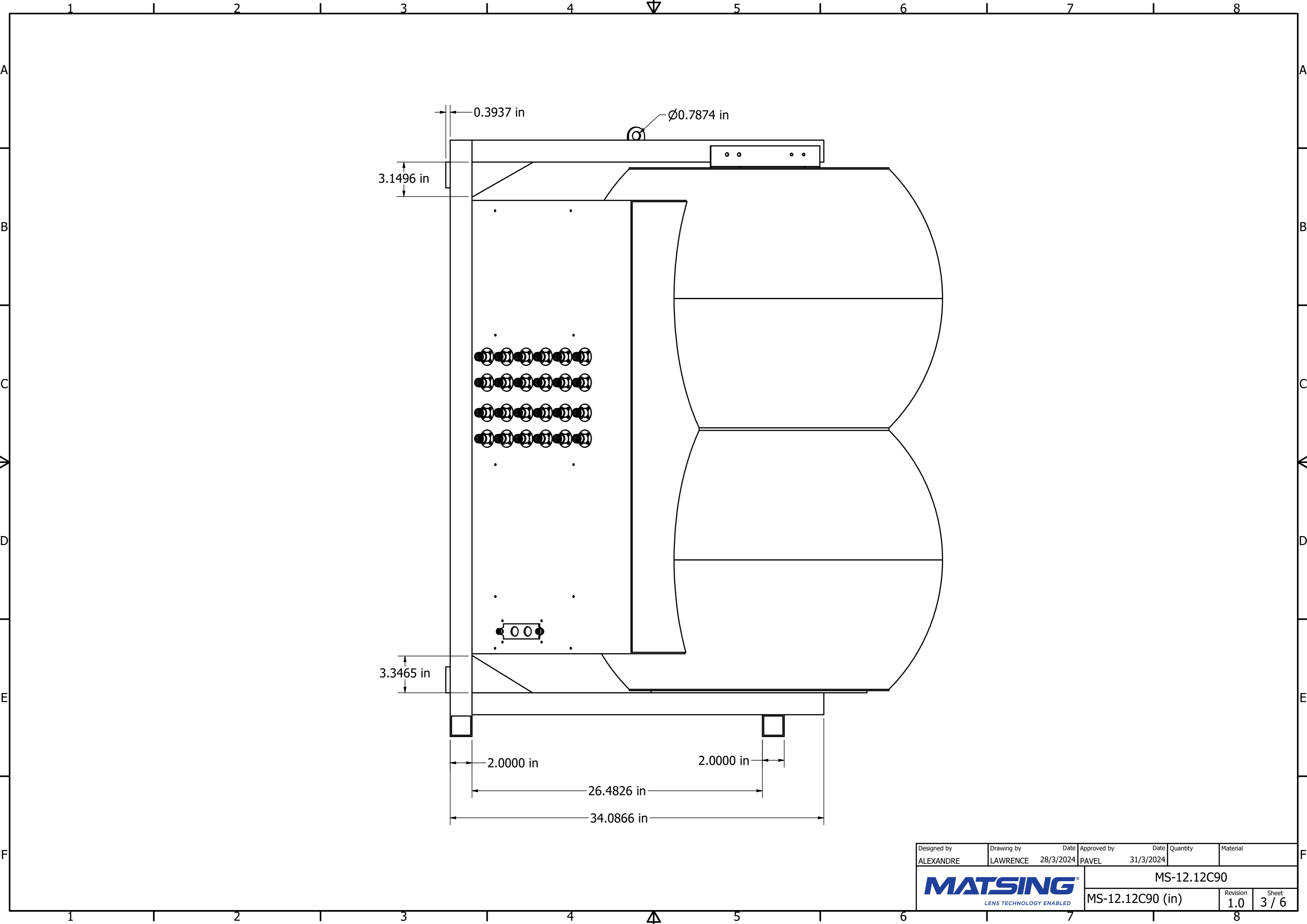



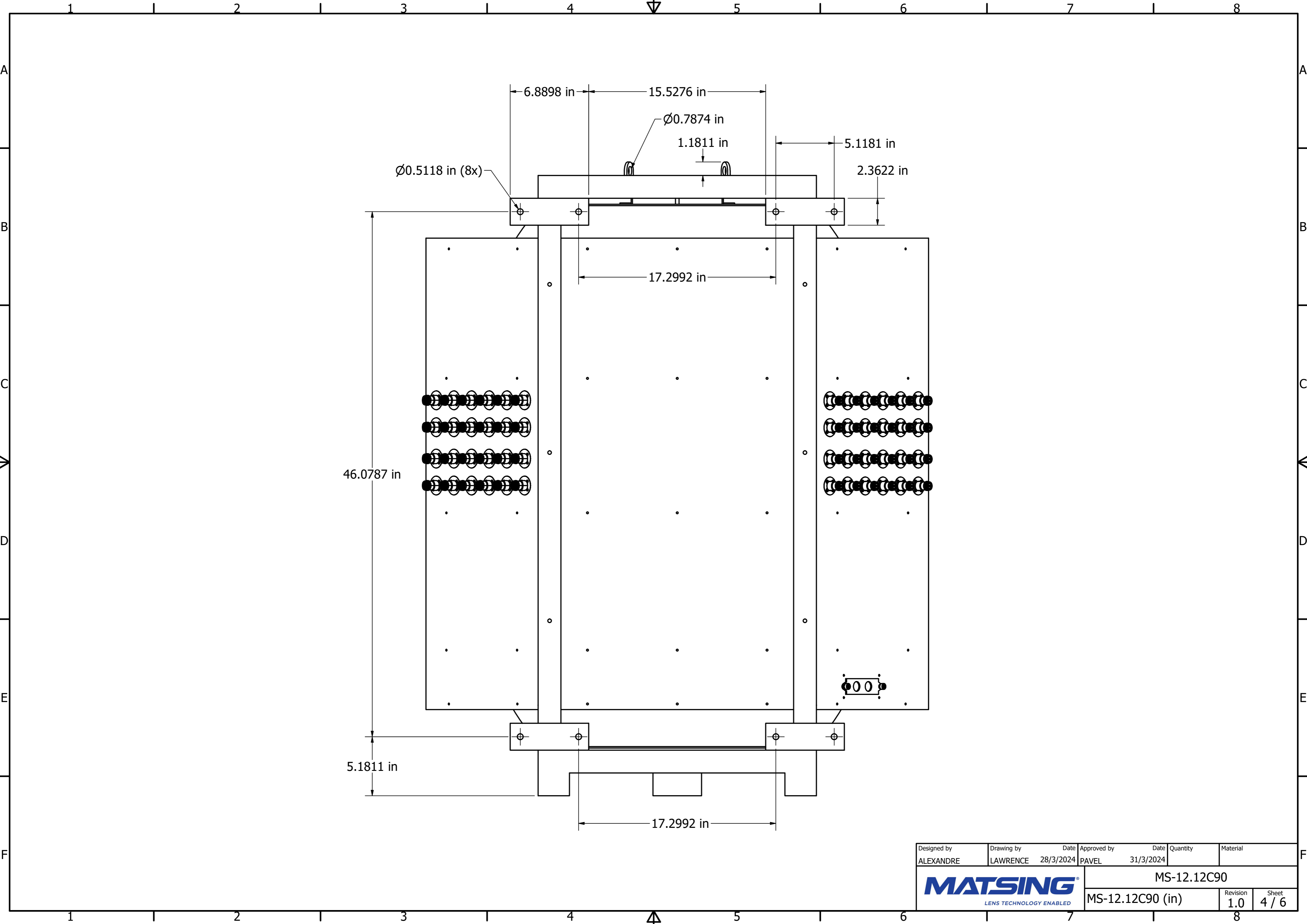
Designed by ALEXANDRE	Drawing by LAWRENCE	Date 28/3/2024	Approved by PAVEL	Date 31/3/2024	Quantity	Material	
MATSING LENS TECHNOLOGY ENABLED						MS-12.12C90	
MS-12.12C90 (in)						Revision 1.0	Sheet 1 / 6



Designed by ALEXANDRE	Drawing by LAWRENCE	Date 28/3/2024	Approved by PAVEL	Date 31/3/2024	Quantity	Material
						MS-12.12C90
						MS-12.12C90 (in)



Designed by	Drawing by	Date	Approved by	Date	Quantity	Material
ALEXANDRE	LAWRENCE	28/3/2024	PAVEL	31/3/2024		
						MS-12.12C90
						MS-12.12C90 (in)



Ø0.5118 in (8x)

Ø0.7874 in

1.1811 in

5.1181 in


2.3622 in

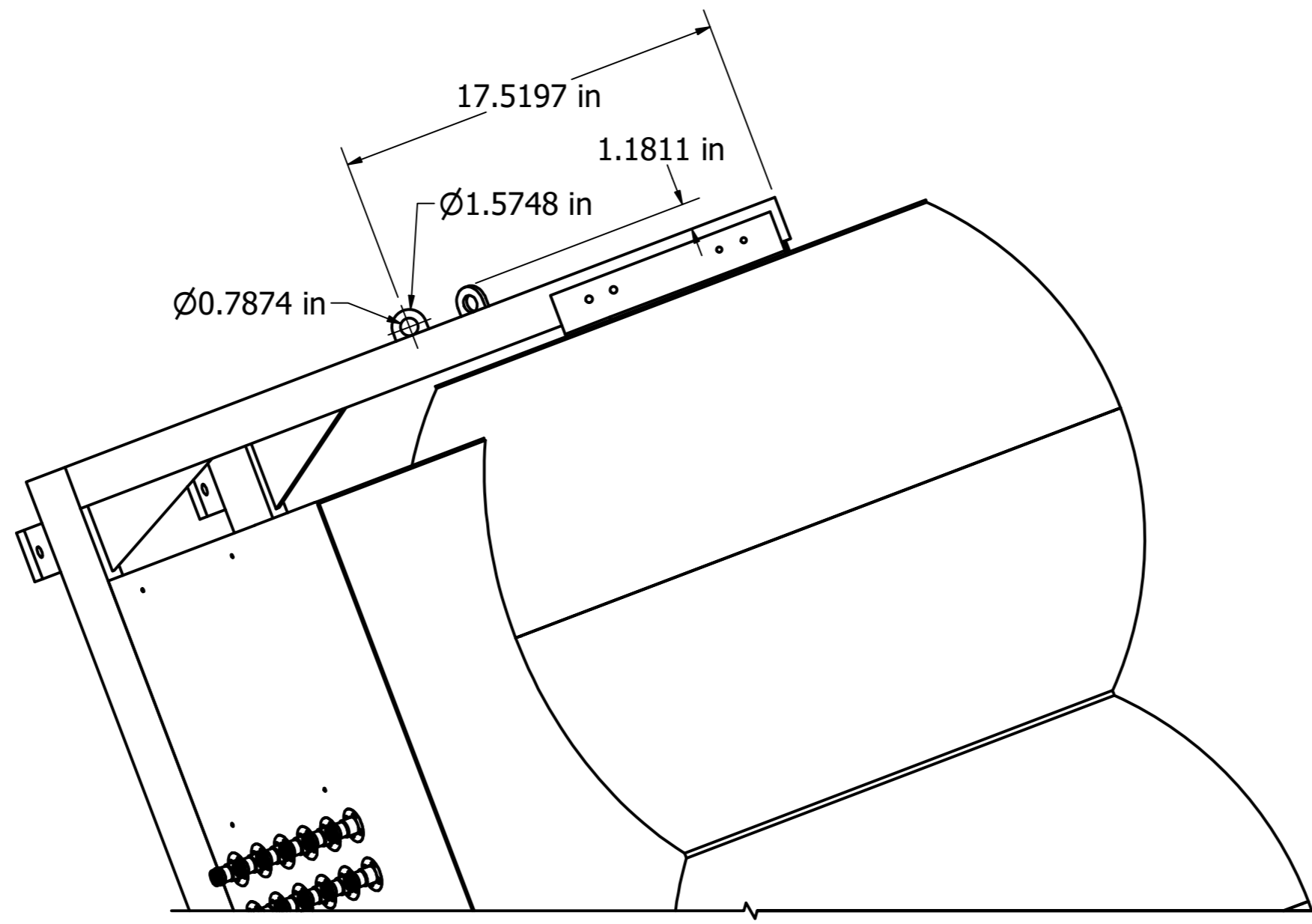
17.2992 in

46.0787 in

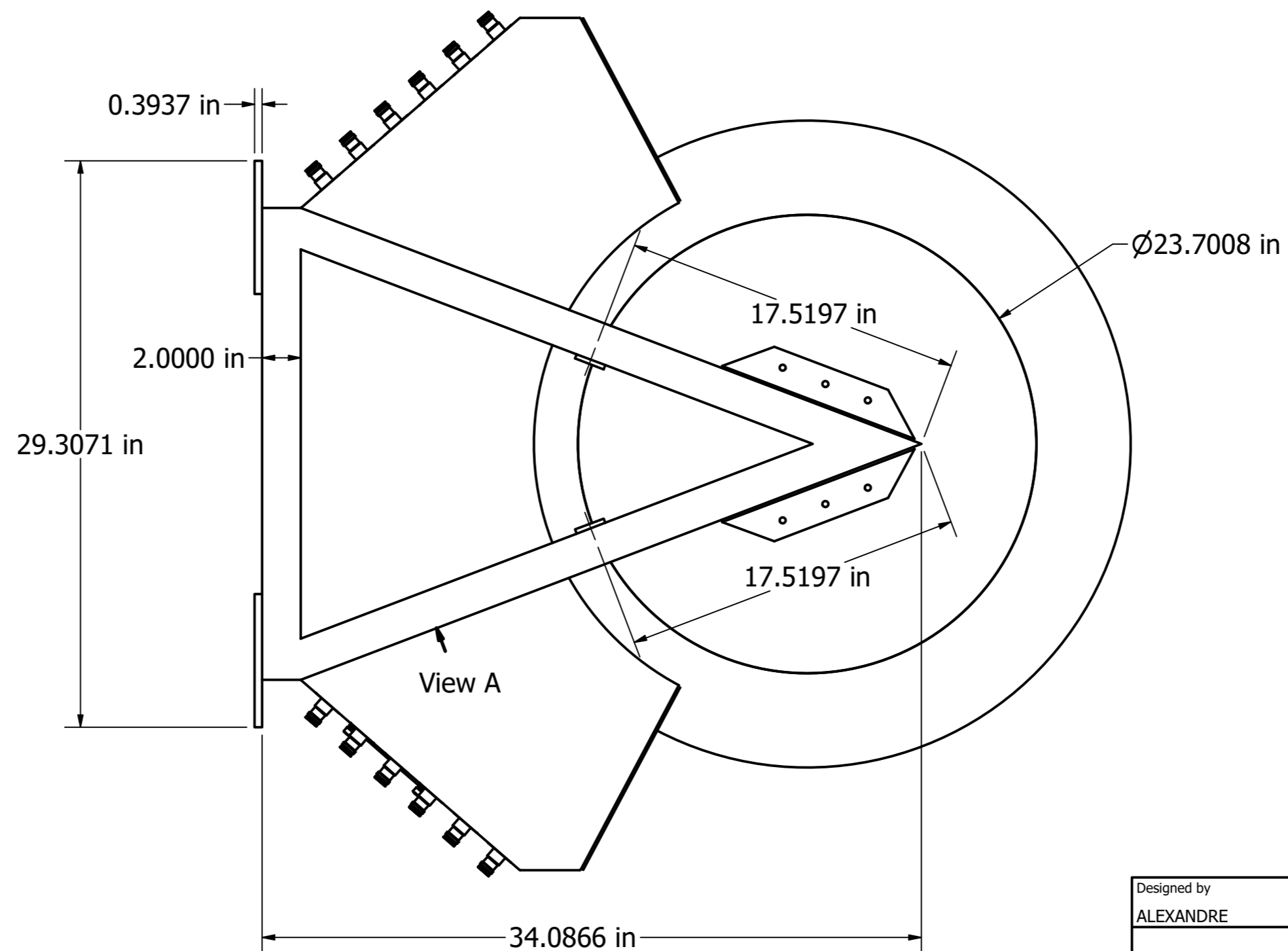
5.1811 in

17.2992 in


Designed by ALEXANDRE	Drawing by LAWRENCE	Date 28/3/2024	Approved by PAVEL	Date 31/3/2024	Quantity	Material
						MS-12.12C90
						MS-12.12C90 (in)

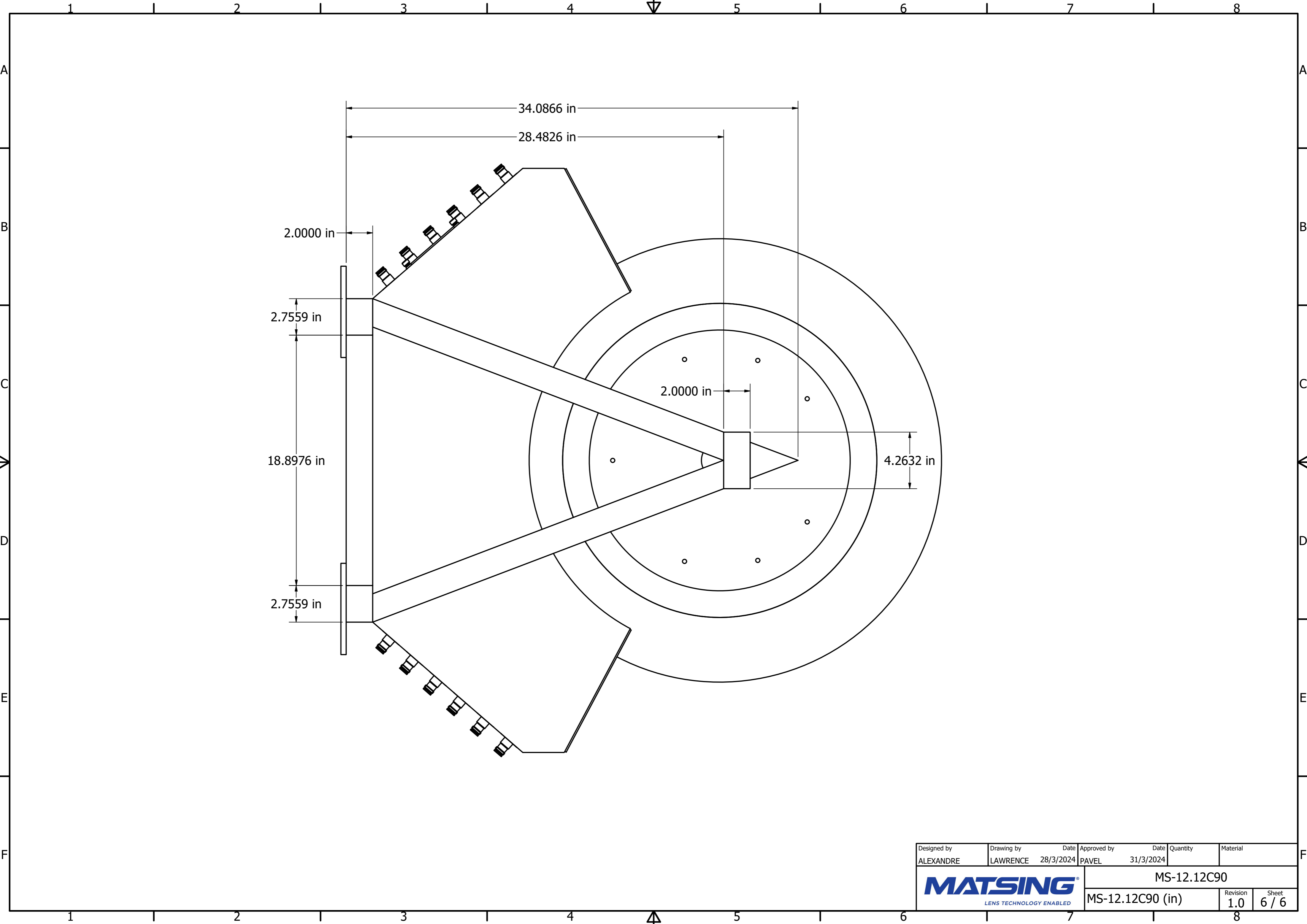



View A



View A

Designed by	Drawing by	Date	Approved by	Date	Quantity	Material
ALEXANDRE	LAWRENCE	28/3/2024	PAVEL	31/3/2024		MS-12.12C90
						MS-12.12C90 (in)
						Revision 1.0



Designed by ALEXANDRE	Drawing by LAWRENCE	Date 28/3/2024	Approved by PAVEL	Date 31/3/2024	Quantity	Material
						MS-12.12C90
						MS-12.12C90 (in)