

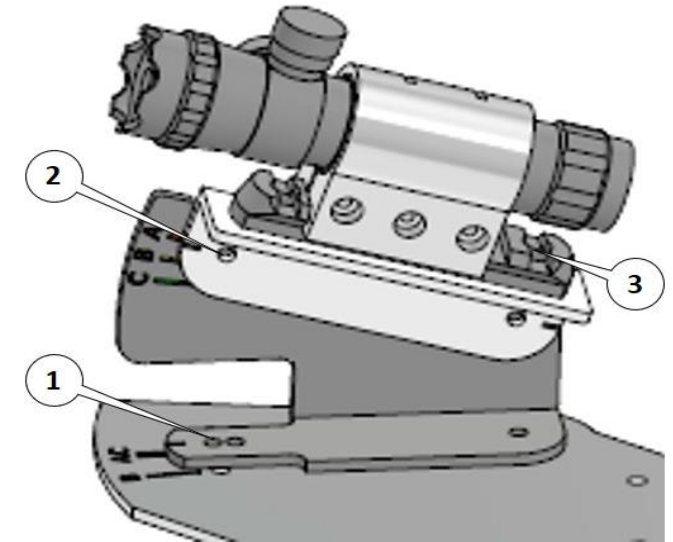
**Laser Setting & Mounting Step:**

***For Left Top/Bottom & Right Top/Bottom Laser Setting***

1. Align Left/Right Bracket to "A/B/C" Marker Setting Secure With Screw
  2. Align Up/Down Bracket to "A/B/C" Marker Setting Secure With Screw
  3. Secure Holder Bed with Screw and Slide-In Laser Pointer
- \*\*\* Repeat Same Steps For the Rest Of Laser Pointers Setting

***For Center Laser / Bracket Mounting***

4. Secure Holder Bed with Screw and Slide-In Laser Pointer
5. Align Both Main Base Plate & Frame Side Edges
6. Ensure Bracket Well Seated Flat On Frame Surface
7. Verify Center Line Arrow Sticker is Align with Center Base Plate
8. Tighten the Laser Pointer Bracket Mounting Screw Onto the Frame
9. Final Check and Ensure All Parts Are Secured



**Setting Marker / Model**  
**A. MS-18H90, MS-18F45**  
**B. MS-8H60, MS-8F30**  
**C. MS-12H90, MS-12F45**

