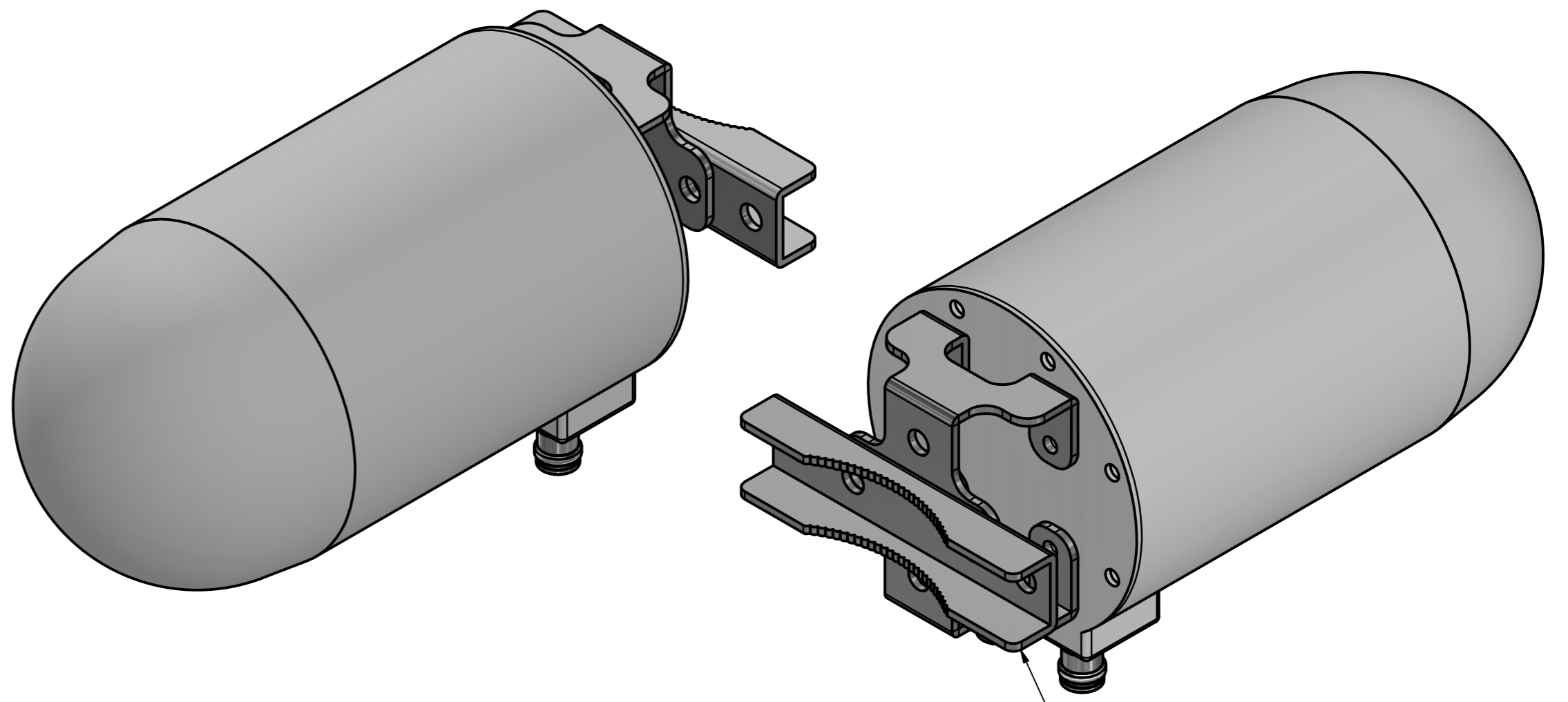
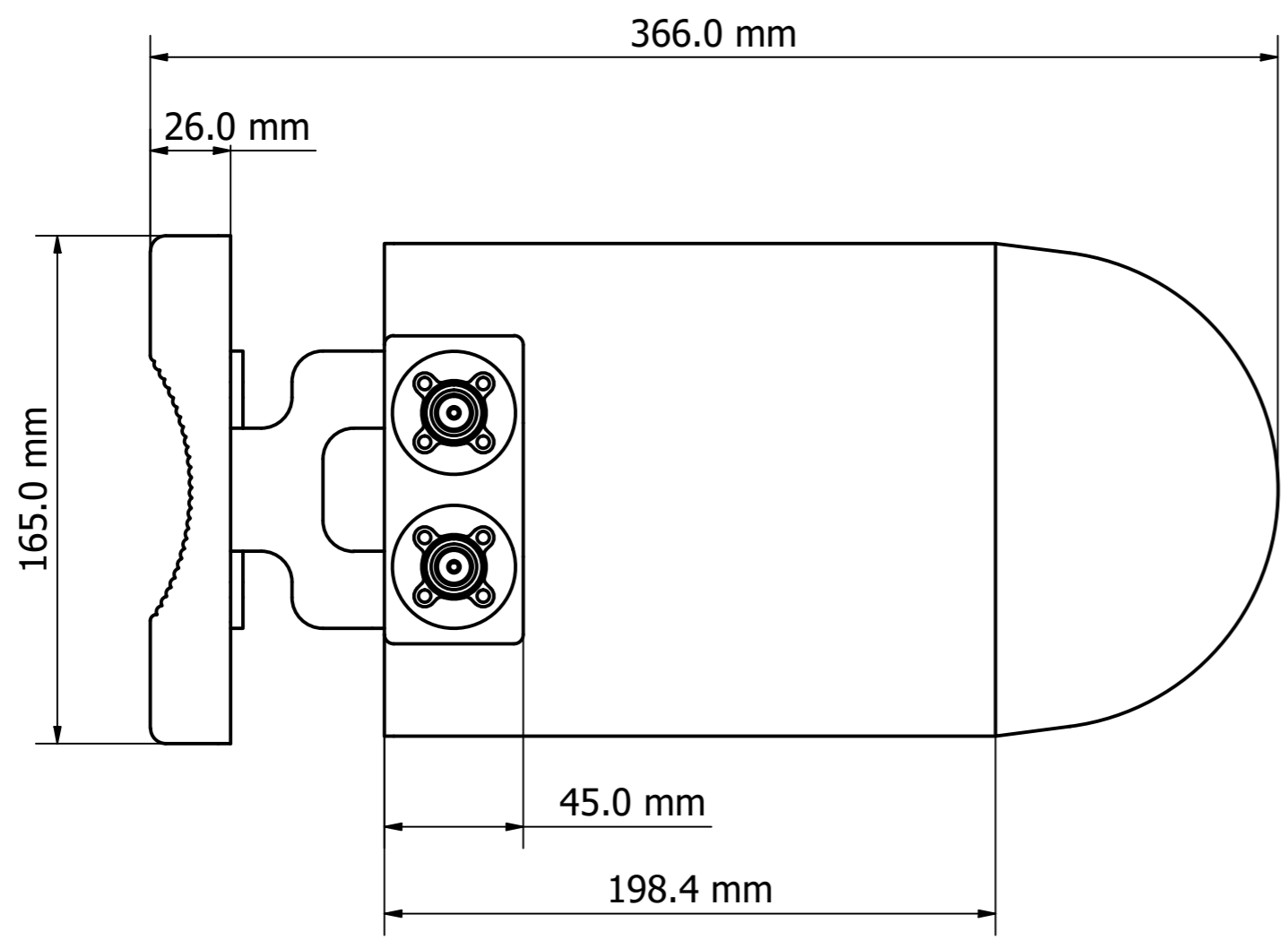
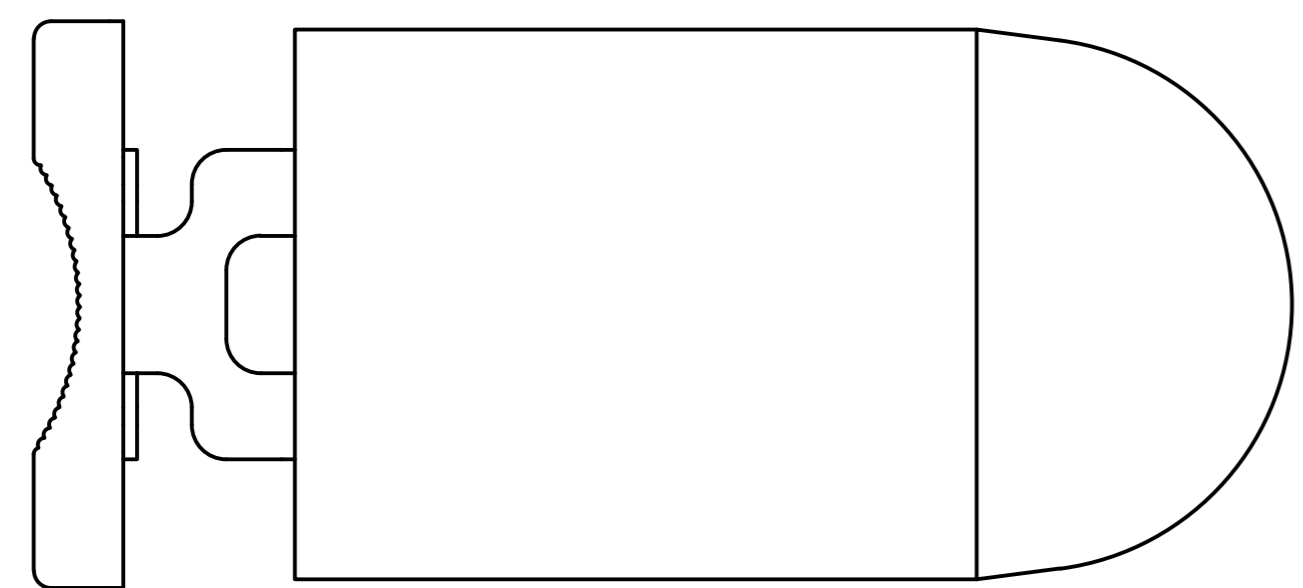
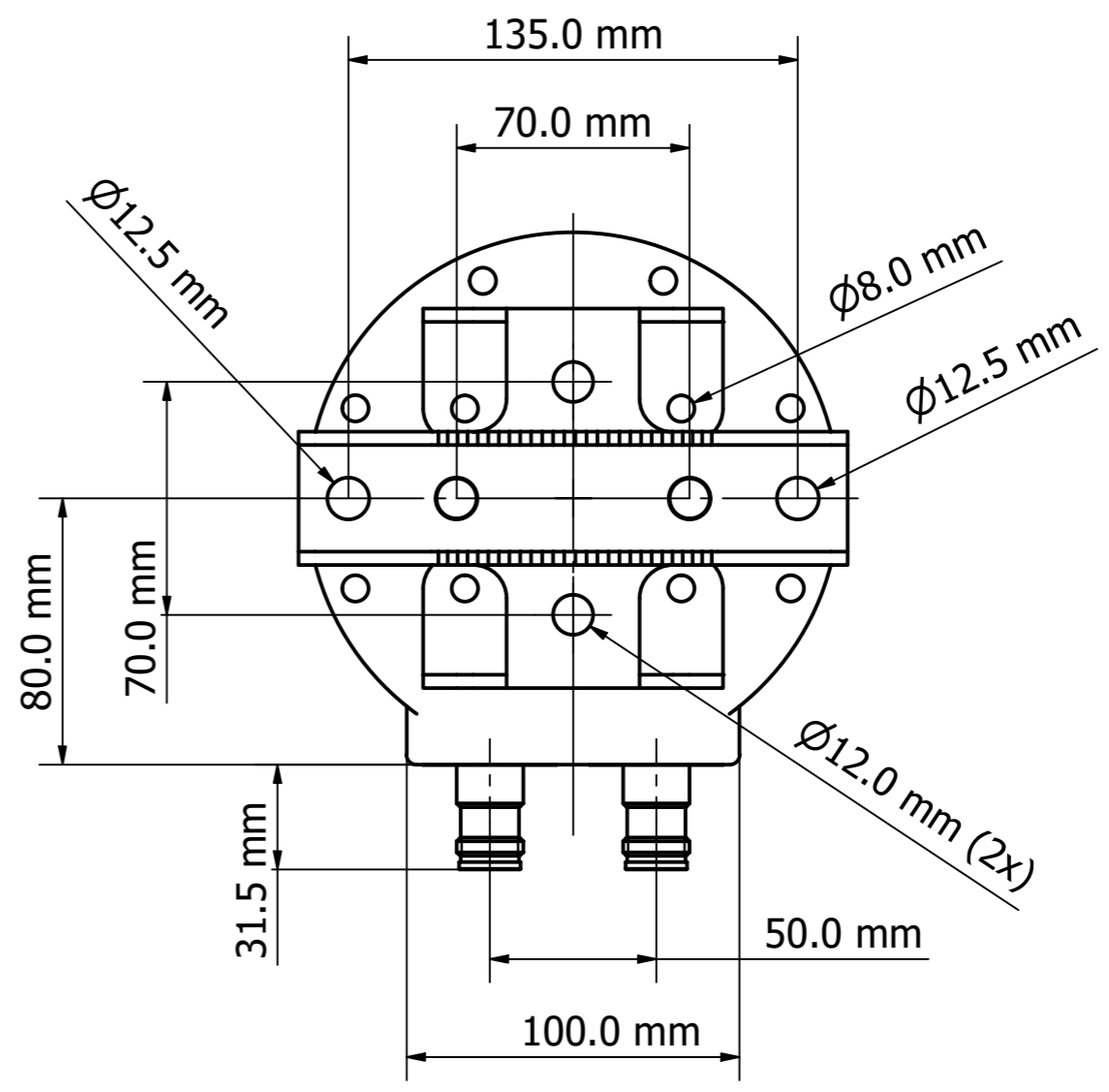
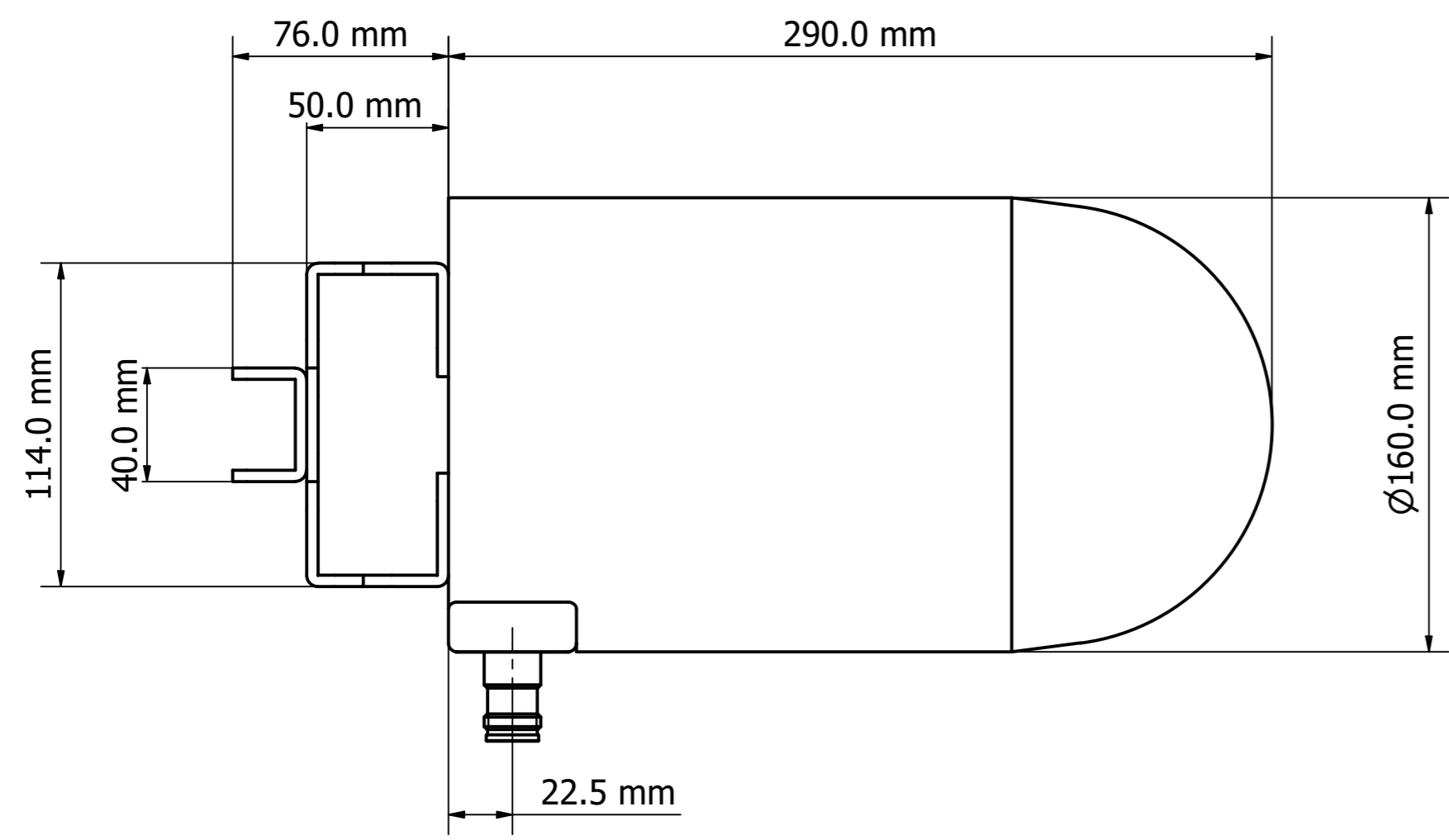


Designed by VIGNESH	Drawing by LAWRENCE	Date 13/2/2023	Approved by PAVEL	Date 13/2/2023	Quantity	Material
<b>MATSING</b> LENS TECHNOLOGY ENABLED						MS-SB23-C
MS-SB23-C (mm)					Revision 1.0	Sheet 1 / 2



MOUNTING BRACKET



Designed by VIGNESH	Drawing by LAWRENCE	Date 13/2/2023	Approved by PAVEL	Date 13/2/2023	Quantity	Material
<b>MATSING</b>						MS-SB23-C
LENS TECHNOLOGY ENABLED						MS-SB23-C (mm)
					Revision 1.0	Sheet 2 / 2