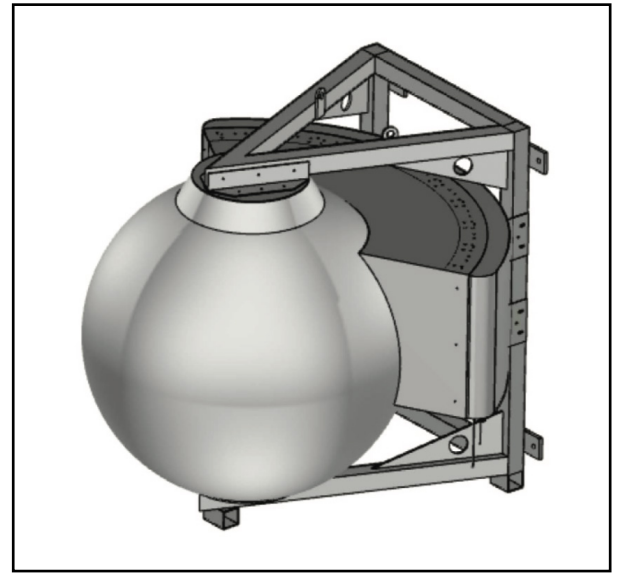


## MS-6H90

**Multi-Beam Spherical Lens Antenna: 6 independent high-frequency (1695-2690MHz) cross-polarized beams, with 0-15° tilt for each beam and 2X2 MIMO support per beam.**

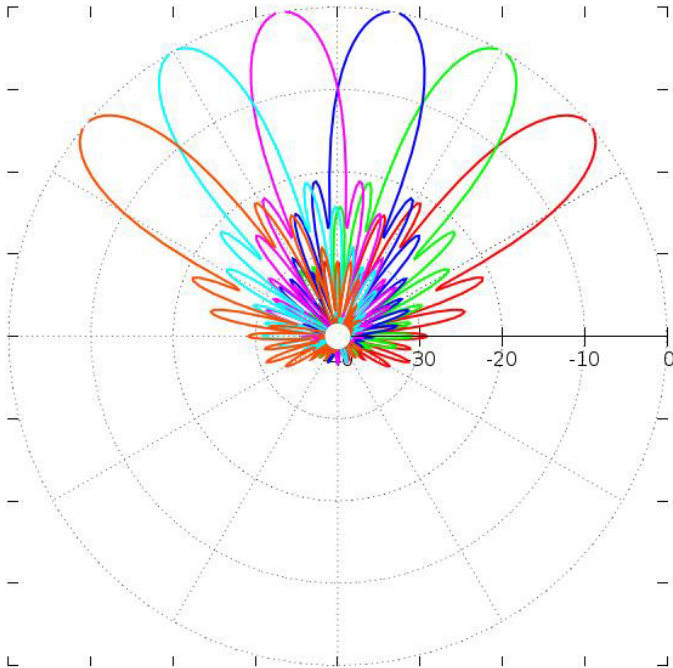
**\*Optional Packages:**

- a) MS-6H90-RET  
AISG 2.0 Remote Electrical Tilt

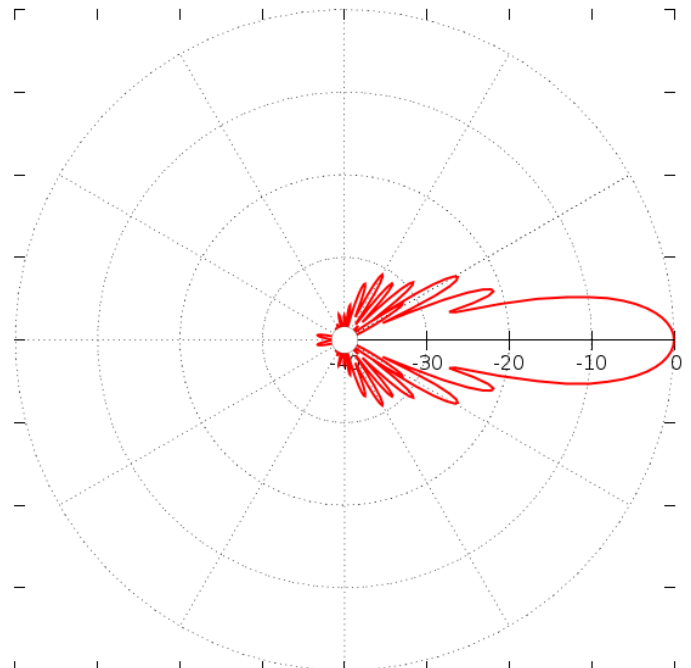


### PATTERN RESULTS:

**High-Band Horizontal Pattern (1.80GHz)**



**High-Band Vertical pattern (1.80GHz)**



### TECHNICAL SPECIFICATIONS

Frequency	1695-2690 MHz
Gain	22.8dBi
VSWR	<1.5:1
Polarization	Dual Slant ±45°
Horizontal Coverage	120°
Horizontal Beamwidth (10dB level)	20°
Horizontal Beamwidth (3dB level)	12°
Vertical Beamwidth (10dB level)	20°
Vertical Beamwidth (3dB level)	12°
Beam Cross-over	10dB typical
Total Number of Beams	6
Adjustable Tilt per beam	0° to 15°
First Sidelobe level	<-16dB
Front to Back Ratio	>28dB
Isolation Port to Port - Polarization	>28dB
Isolation Port to Port - Beam	>28dB
Power Rating	200W per port
Intermodulation	<-153dBc
Impedance	50 ohm
Connector Quantity and Type	12 X 4.3-10 female

### MECHANICAL DATA

Dimensions (H x W x D)	Spherical Lens diameter: 90cm/35inch  Antenna dimensions: 105.4 x 116.5 x 113.2 cm 41.5 x 45.9 x 44.6 inch
Antenna Weight	55.38 kg 122 lbs
Radome Material	Fiber Glass
Mounting	Standard Pipe Mount  Compatible pipe diameter: 6.1 – 11.4 cm 2.4 – 4.5 inch

### ENVIRONMENTAL RATINGS

Humidity	95% RH @ +30°C
Temperature	-40°C to +70°C
Wind load (Front)	520N/117lbf @ 150km/hr
Wind load (Lateral)	614N/138lbf @ 150km/hr

### CONNECTOR LAYOUT:

