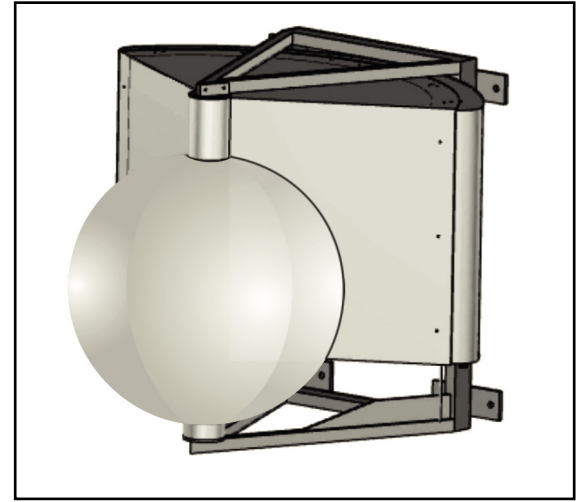


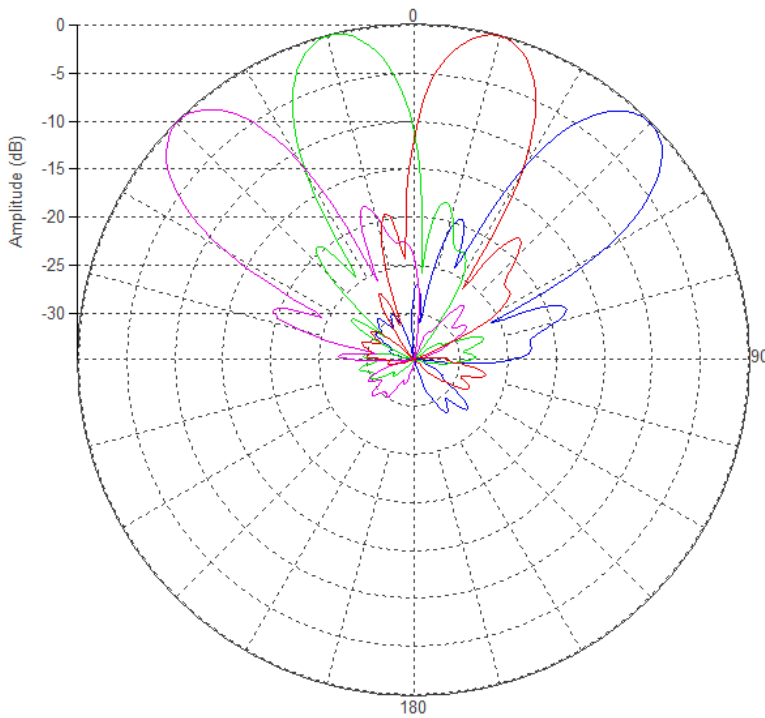
MS-4H60

Multi-Beam Wide Band Spherical Lens Antenna 4 independent high frequency (1695-2690MHz) cross-polarized beams with 2X2 MIMO support and 15° adjustable tilt per beam.

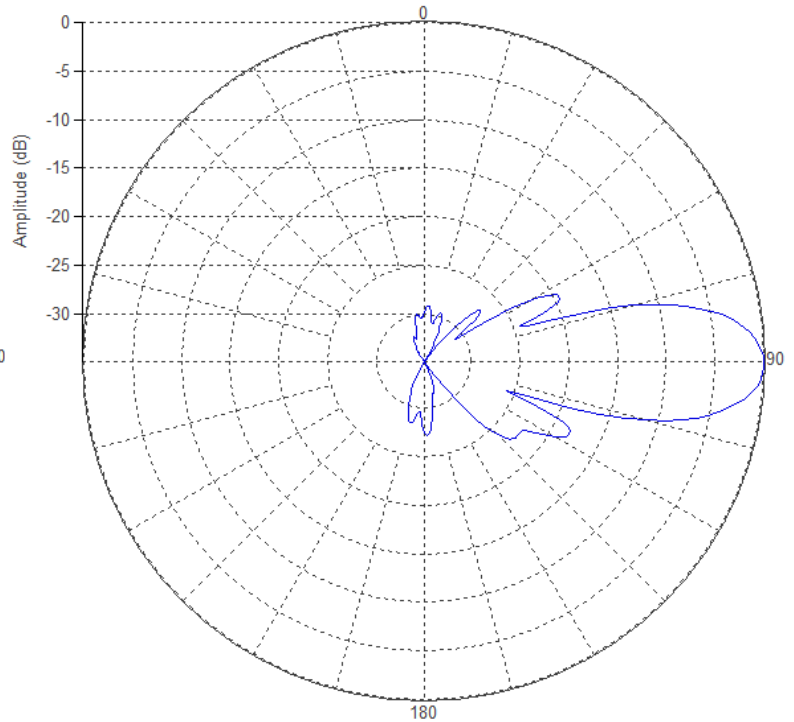


PATTERN RESULTS:

Horizontal pattern for 1.92GHz



Vertical pattern for 1.92GHz



TECHNICAL SPECIFICATIONS

Frequency	1695-2690 MHz
Gain	20.5dBi
VSWR	<1.5:1
Polarization	Dual Slant ±45°
Horizontal Coverage	120°
Horizontal Beamwidth (10dB level)	30°
Horizontal Beamwidth (3dB level)	17°
Vertical Beamwidth (10dB level)	30°
Vertical Beamwidth (3dB level)	17°
Beam Cross-over	10dB
Total Number of Beams	4
Manual Adjustable Tilt per Beam	0° to 15°
First Sidelobe level	<-16dB
Front to Back Ratio	>28dB
Isolation Port to Port - Polarization	>28dB
Isolation Port to Port - Beam	>28dB
Power Rating	250W per port
Intermodulation	<-153dBc
Impedance	50 ohm
Connector Quantity and Type	8 x 4.3-10 female

MECHANICAL DATA

Dimensions (H x W x D)	Spherical Lens diameter: 60cm/24inch Antenna dimensions: 66 X 83 X 79.2 cm 26 X 32.7 X 31.2 inch
Antenna Weight	26.42kg 58.2lbs
Radome Material	Fiber Glass
Mounting	Adjustable clamps Compatible pipe diameter: 6.1 – 11.4 cm 2.4 – 4.5 inch

ENVIRONMENTAL RATINGS

Humidity	95% RH @ +30°C
Temperature	-40°C to +70°C
Wind load (Front)	462 N @ 151km/hr 104 lbf @ 151km/hr

SAMPLE CONNECTOR LAYOUT:

