

Wind Load

Antenna MS-MBA-7-C2

Antenna Model Number

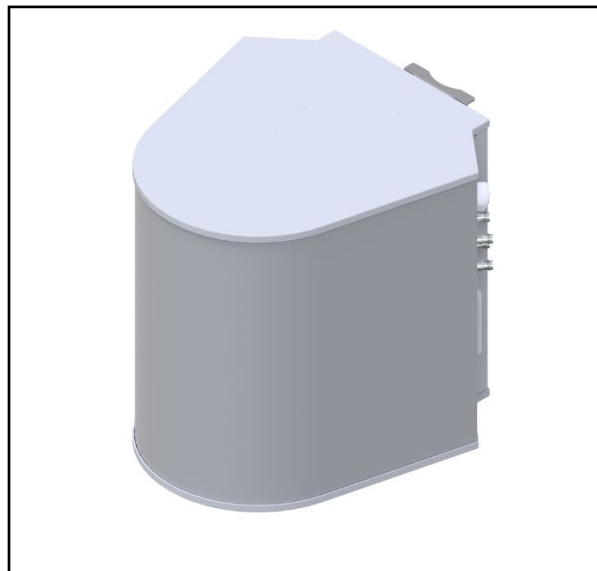
MS-MBA-7-C2

Velocity [km/h]

150

Dimensions: [mm]

640



Results

	Frontal	Lateral	Rear
Profile Drag Coefficient	1	1.33	1.75
Antenna Correction Coefficient	0.6	0.6	0.6
Antenna Drag Coefficient	0.6	0.8	1.05
Wind Load [N/lbf]	253 / 56.9	347 / 78	443 / 99.6
EPA [Wind Receiving Area] (m ² /ft ²)	0.24 / 2.56	0.33 / 3.52	0.42 / 4.48