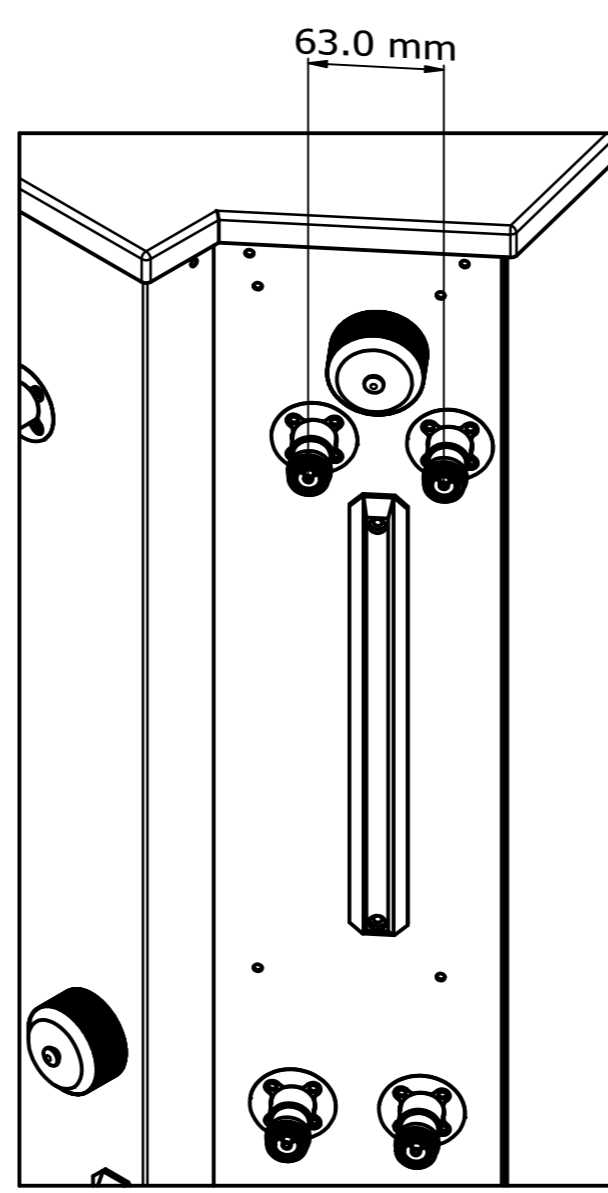
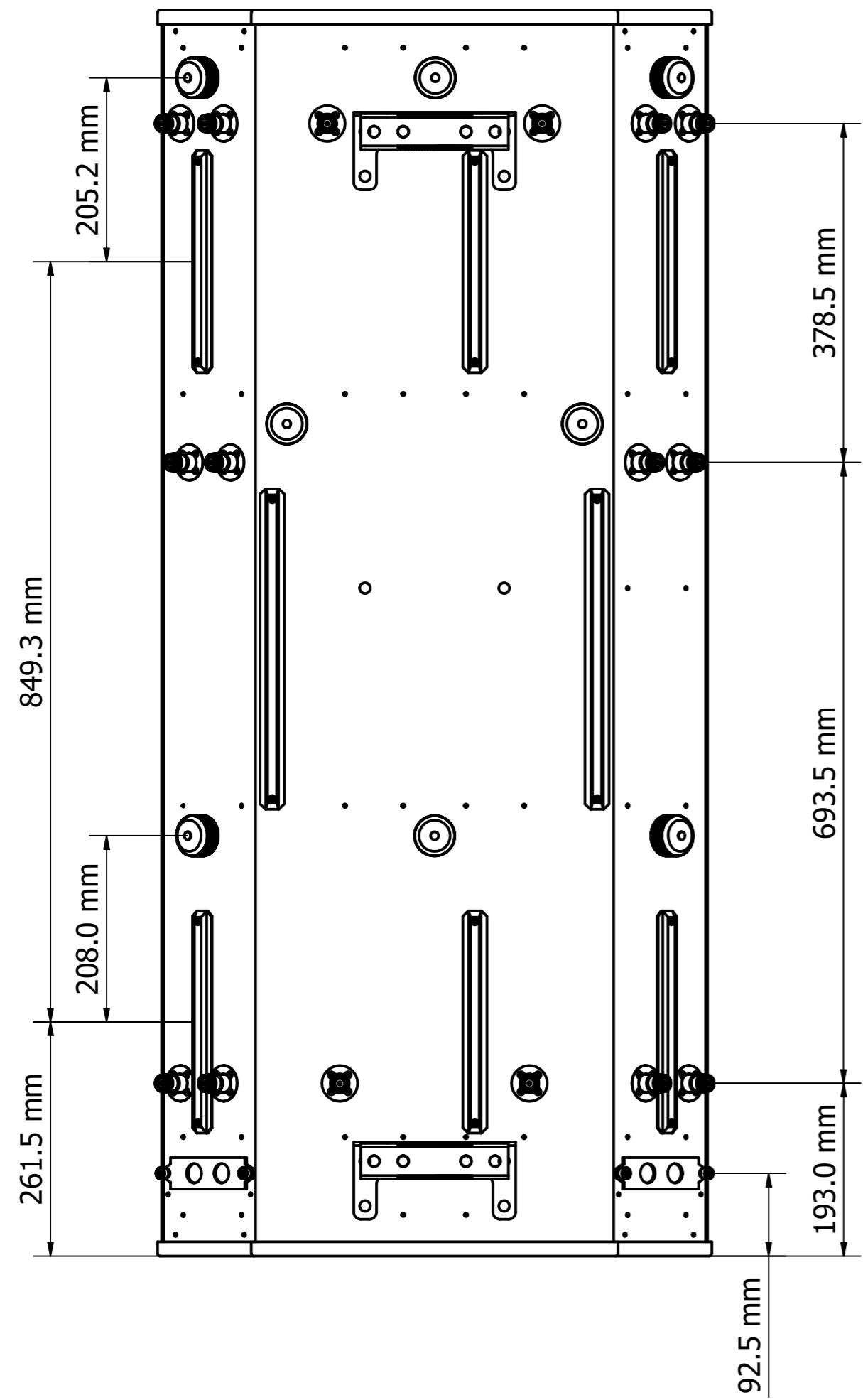
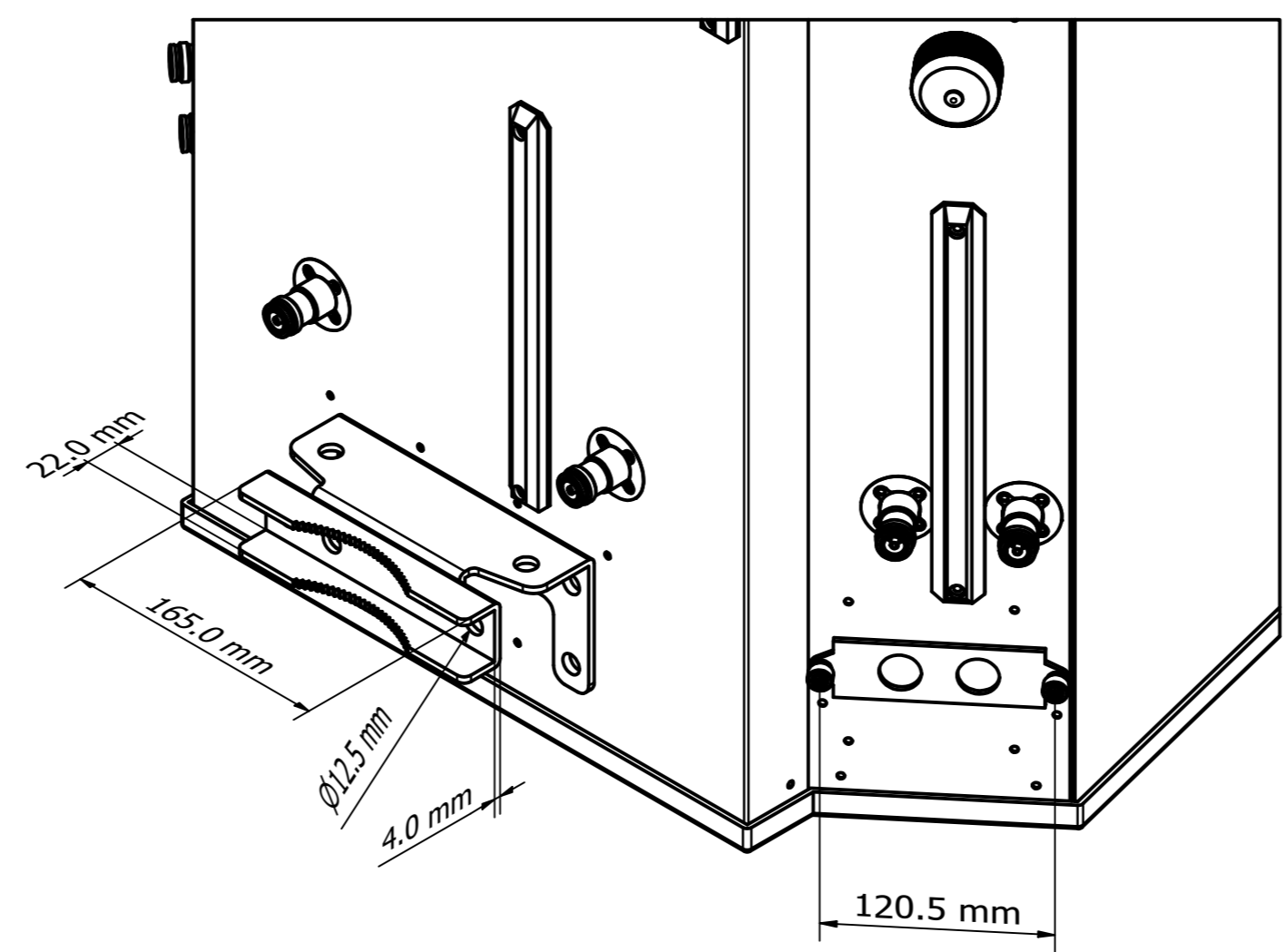


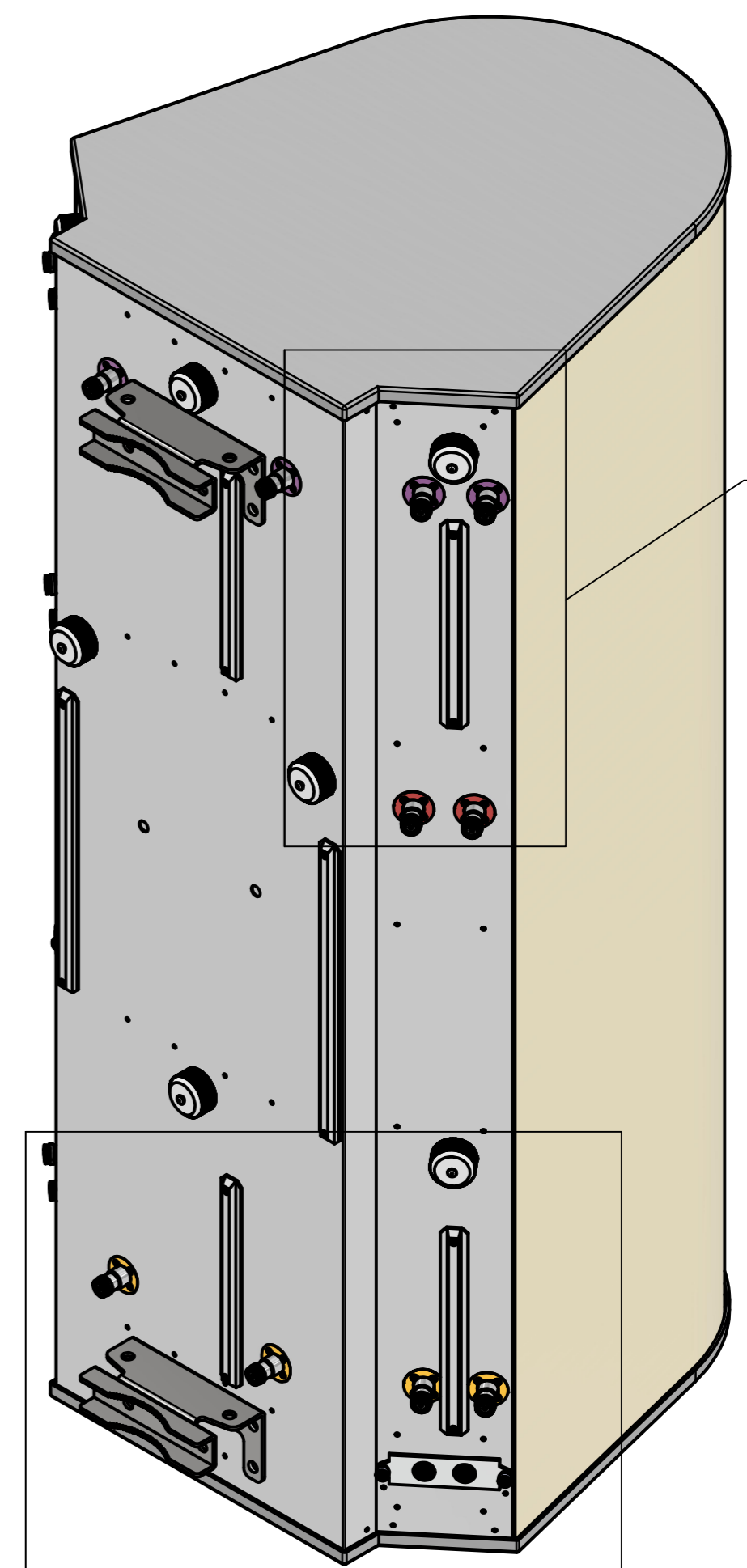
Designed by	Drawing by	Date	Approved by	Date	Quantity	Material
VIGNESH	LAWRENCE	22/12/2022	PAVEL	27/12/2022		
MATSING LENS TECHNOLOGY ENABLED						MS-MBA-3.3.2-C2-H2-L2-I
						MS-MBA-3.3.2-C2-H2-L2-I (mm)
						Revision 1.0
						Sheet 1 / 3



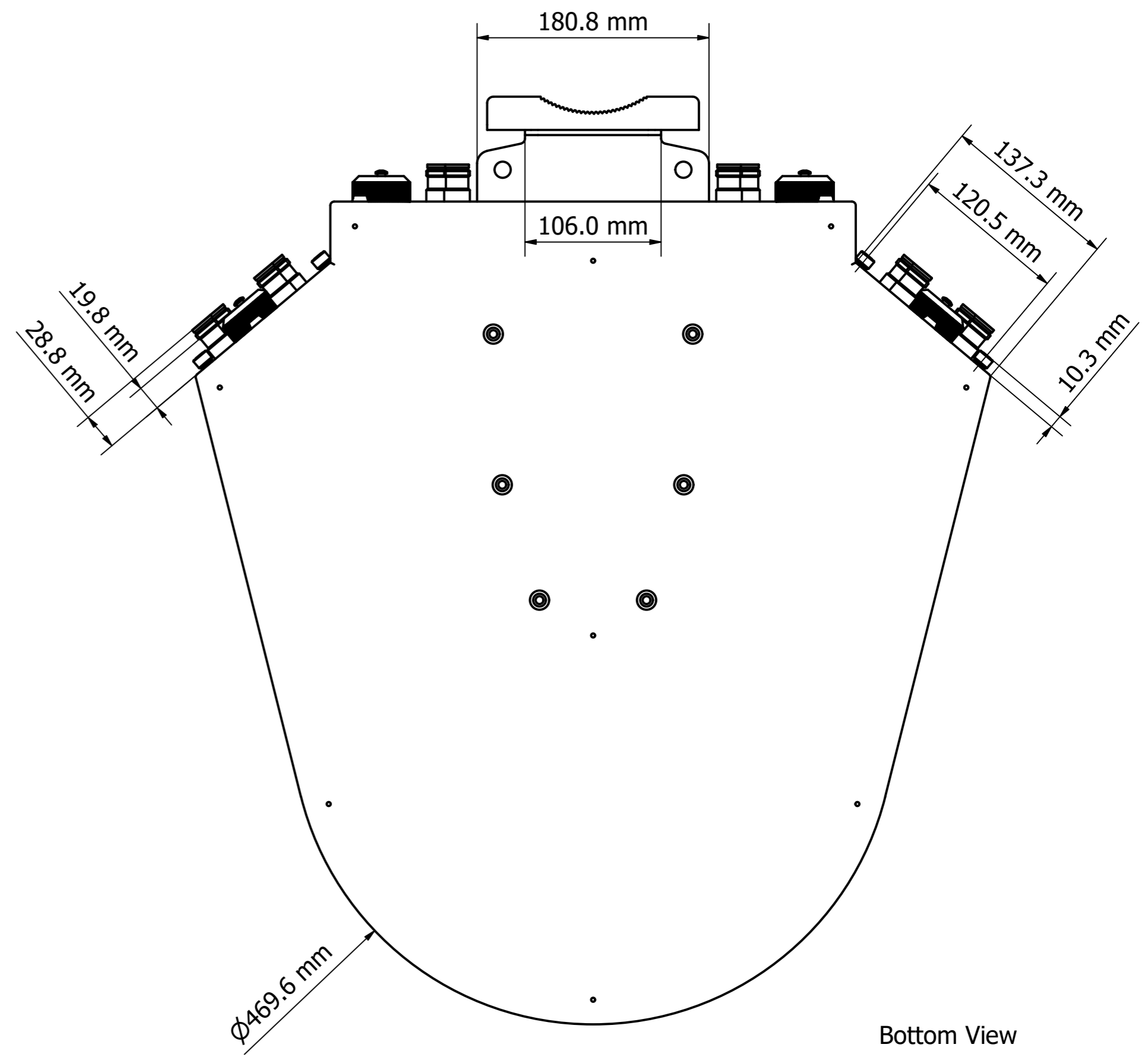
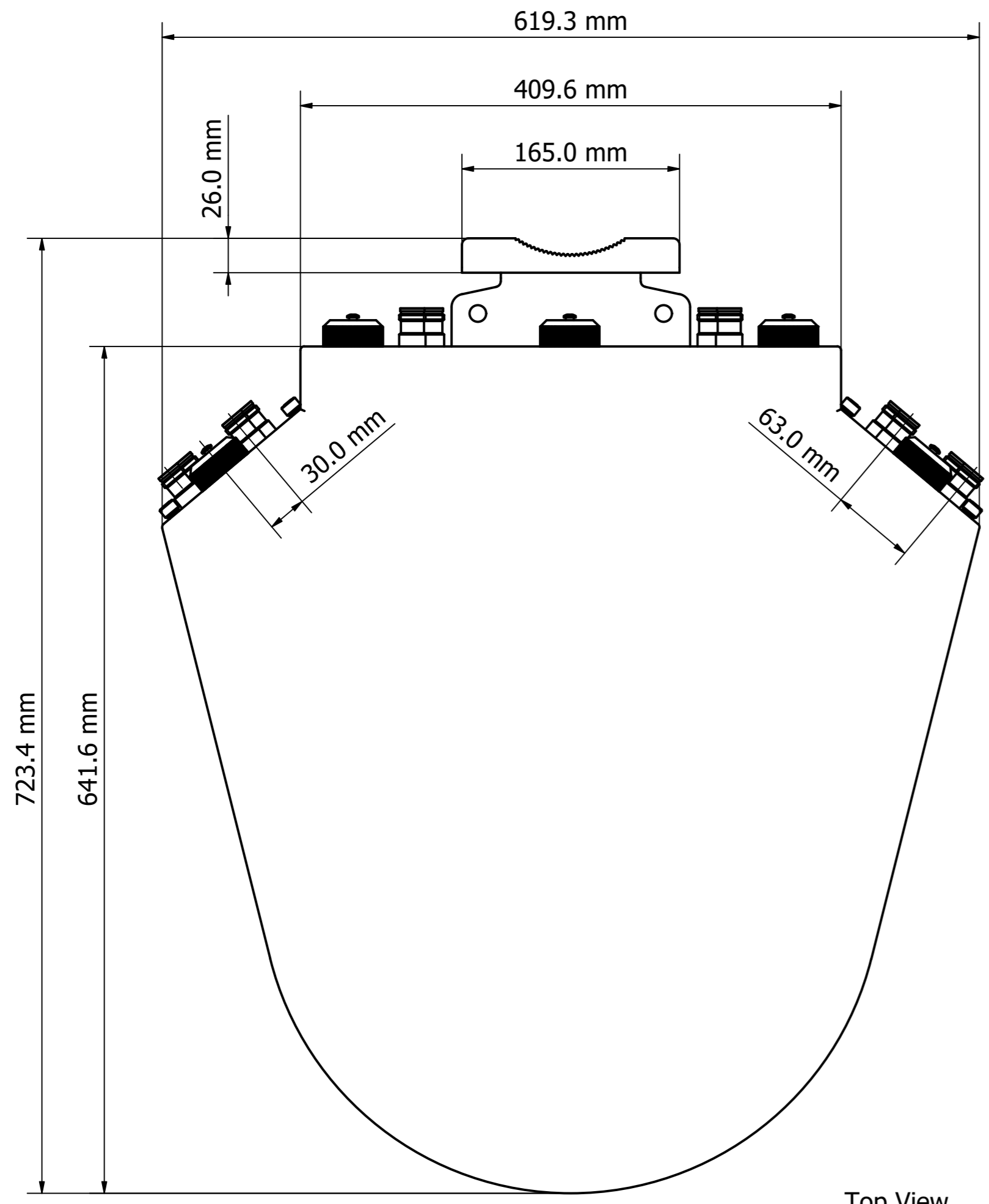
Detail C




Detail B



Designed by VIGNESH	Drawing by LAWRENCE	Date 22/12/2022	Approved by PAVEL	Date 27/12/2022	Quantity	Material	
MATSING LENS TECHNOLOGY ENABLED						MS-MBA-3.3.2-C2-H2-L2-I	
MS-MBA-3.3.2-C2-H2-L2-I (mm)						Revision 1.0	Sheet 2 / 3



Designed by VIGNESH	Drawing by LAWRENCE	Date 22/12/2022	Approved by PAVEL	Date 27/12/2022	Quantity	Material
 MATSING <small>LENS TECHNOLOGY ENABLED</small>						MS-MBA-3.3.2-C2-H2-L2-I
						MS-MBA-3.3.2-C2-H2-L2-I (mm)