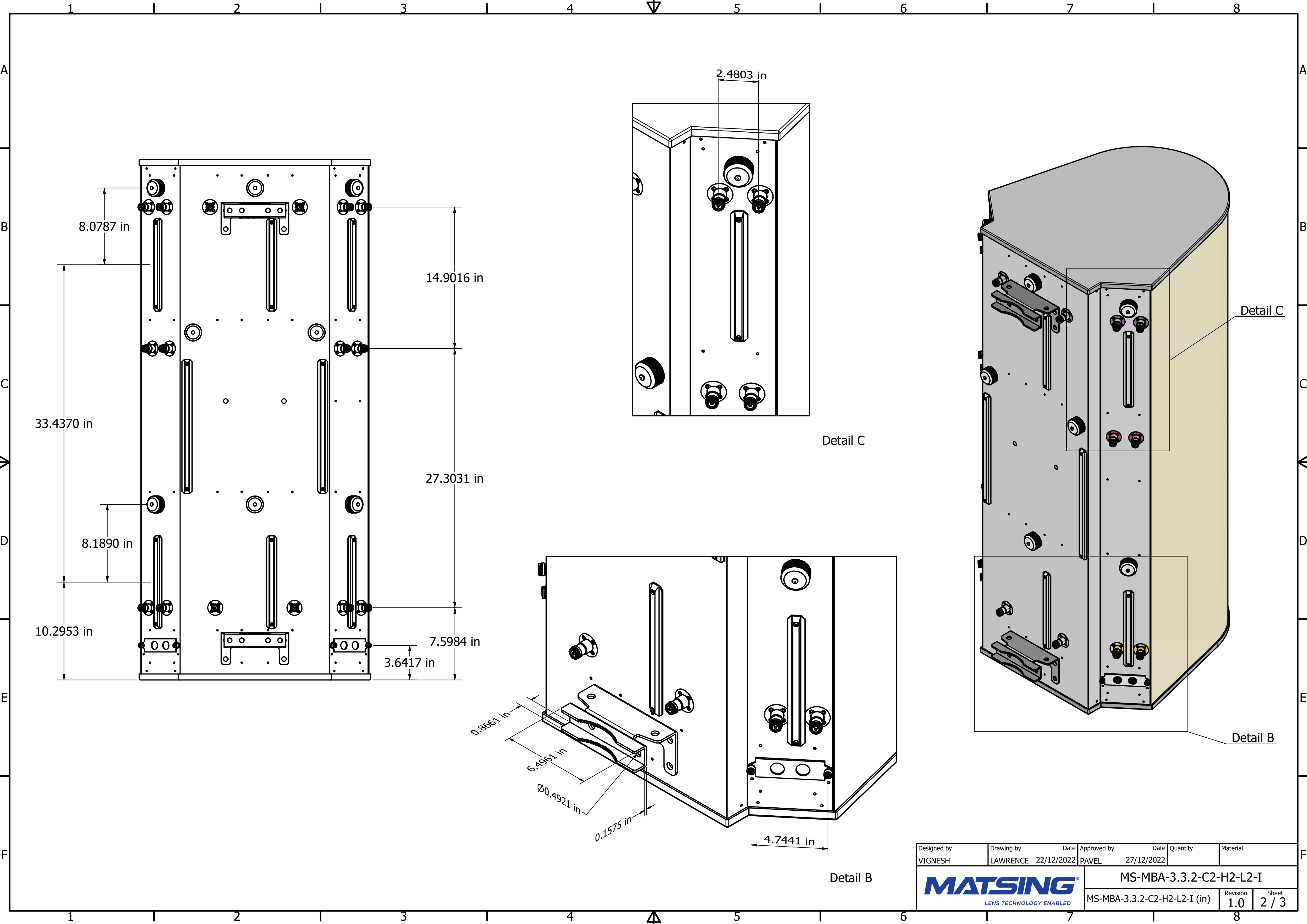
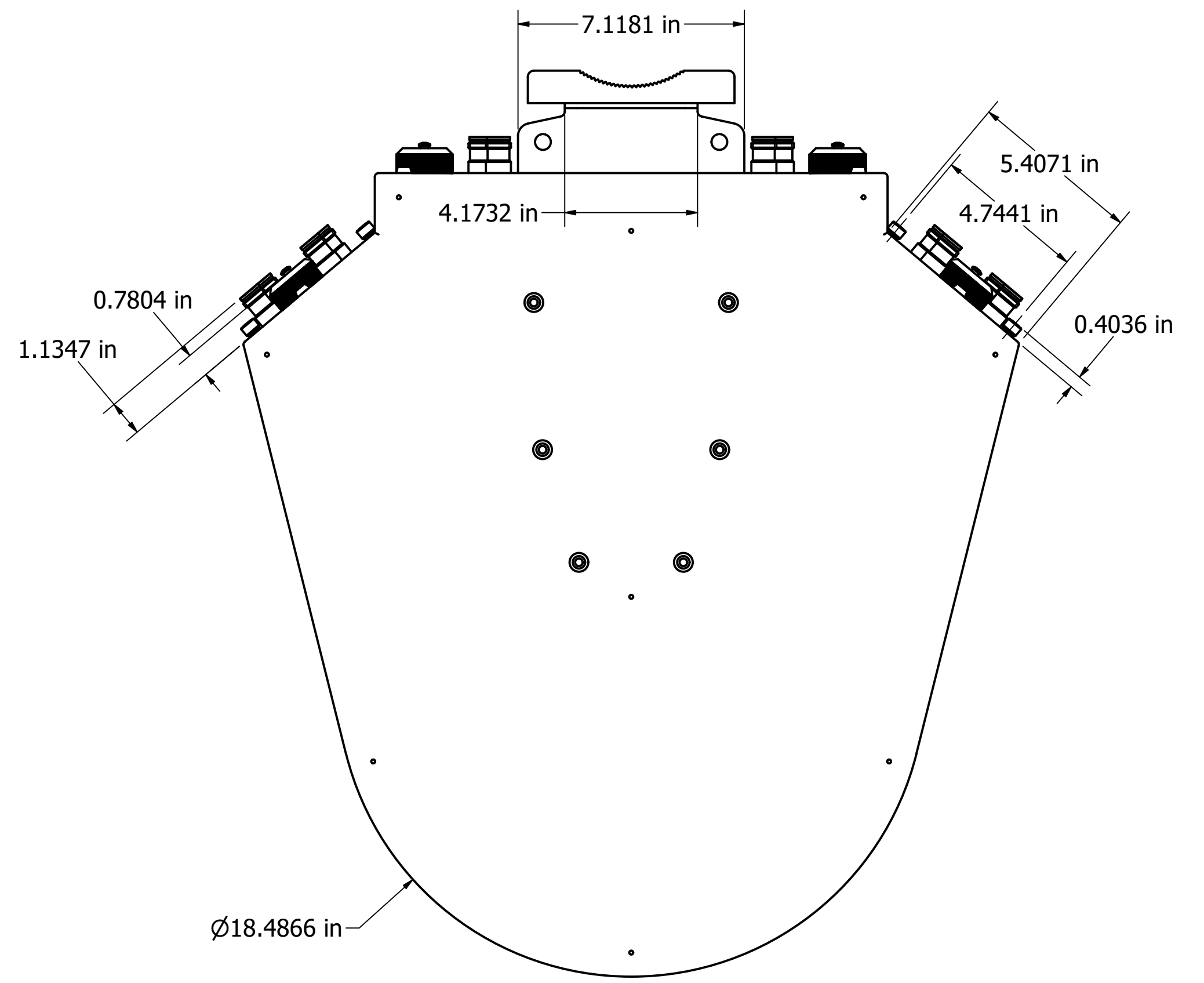
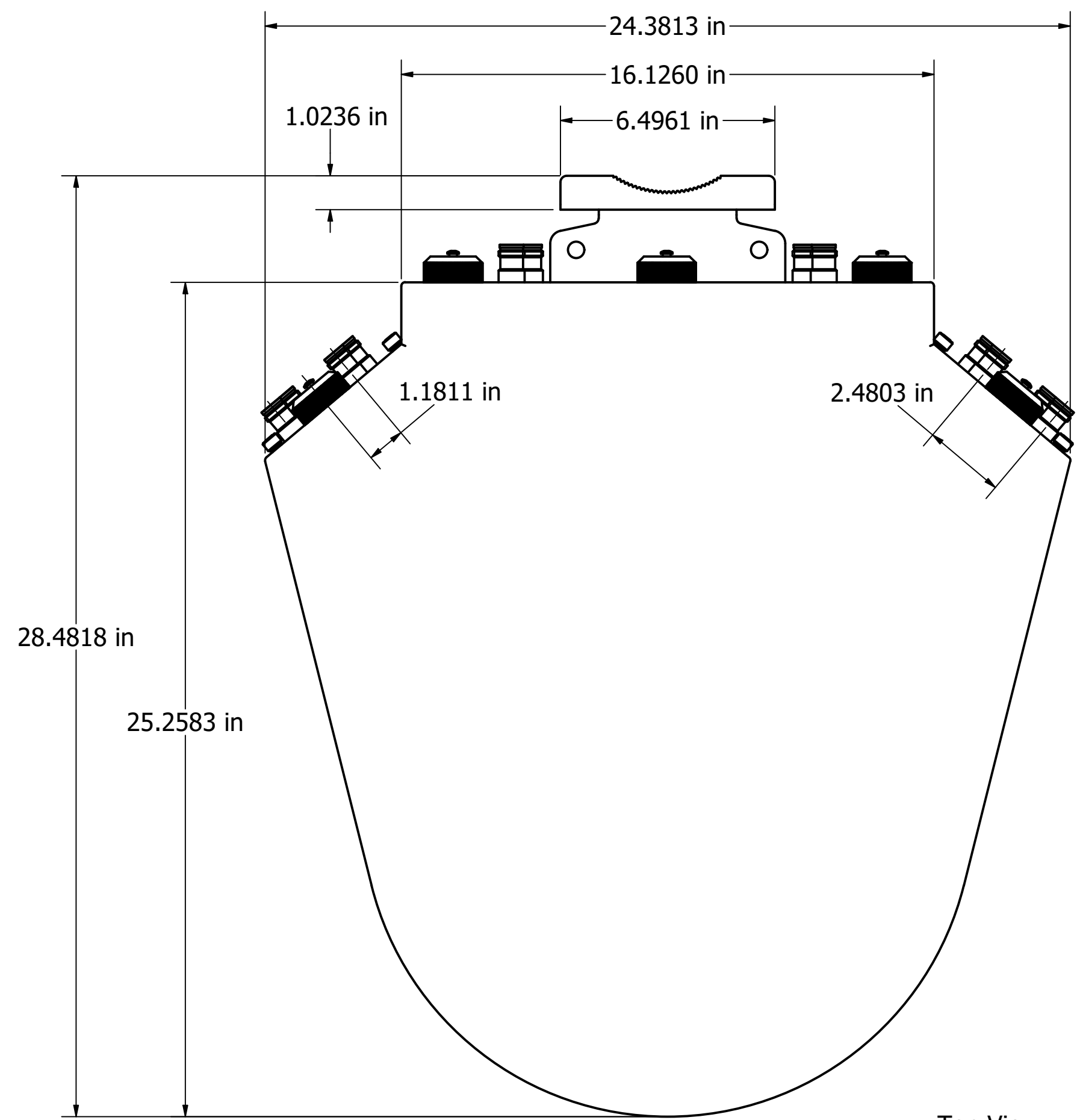


Designed by VIGNESH	Drawing by LAWRENCE	Date 22/12/2022	Approved by PAVEL	Date 27/12/2022	Quantity	Material	
MATSING LENS TECHNOLOGY ENABLED						MS-MBA-3.3.2-C2-H2-L2-I	
MS-MBA-3.3.2-C2-H2-L2-I (in)						Revision 1.0	Sheet 1 / 3



Designed by	Drawing by	Date	Approved by	Date	Quantity	Material	
VIGNESH	LAWRENCE	22/12/2022	PAVEL	27/12/2022			
MS-MBA-3.3.2-C2-H2-L2-I							
MS-MBA-3.3.2-C2-H2-L2-I (in)						Revision	Sheet
						1.0	2 / 3





Designed by VIGNESH	Drawing by LAWRENCE	Date 22/12/2022	Approved by PAVEL	Date 27/12/2022	Quantity	Material
MATSING LENS TECHNOLOGY ENABLED						MS-MBA-3.3.2-C2-H2-L2-I
MS-MBA-3.3.2-C2-H2-L2-I (in)					Revision 1.0	Sheet 3 / 3