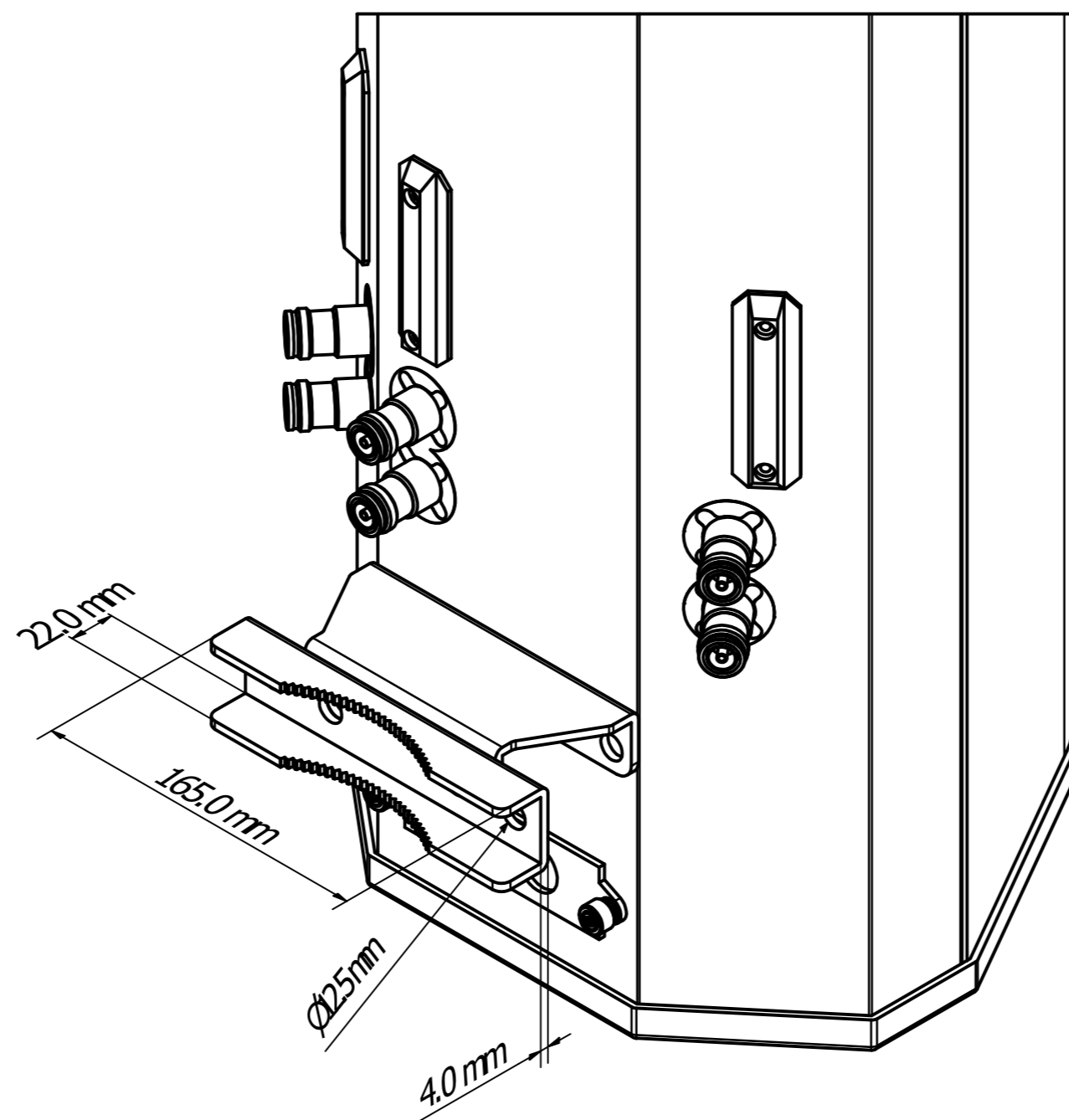
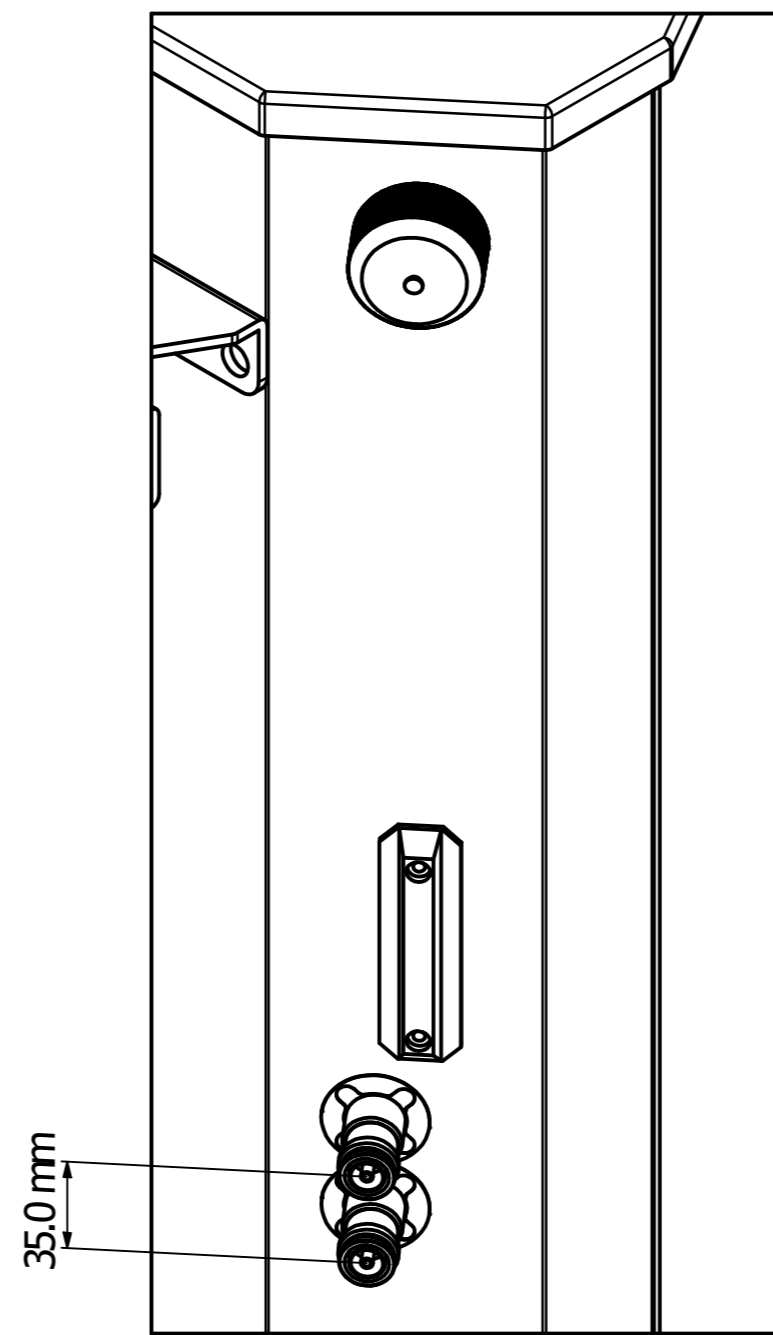
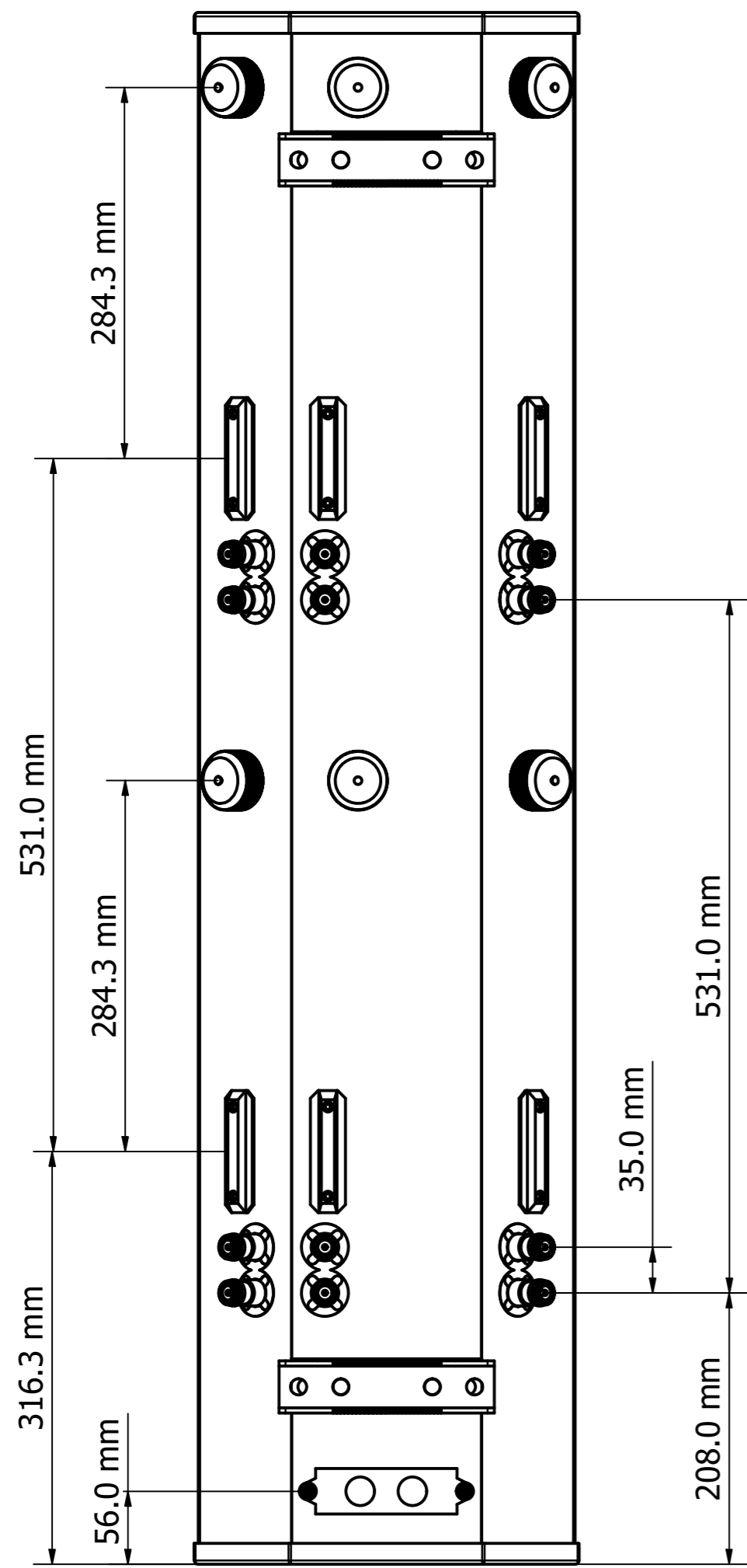
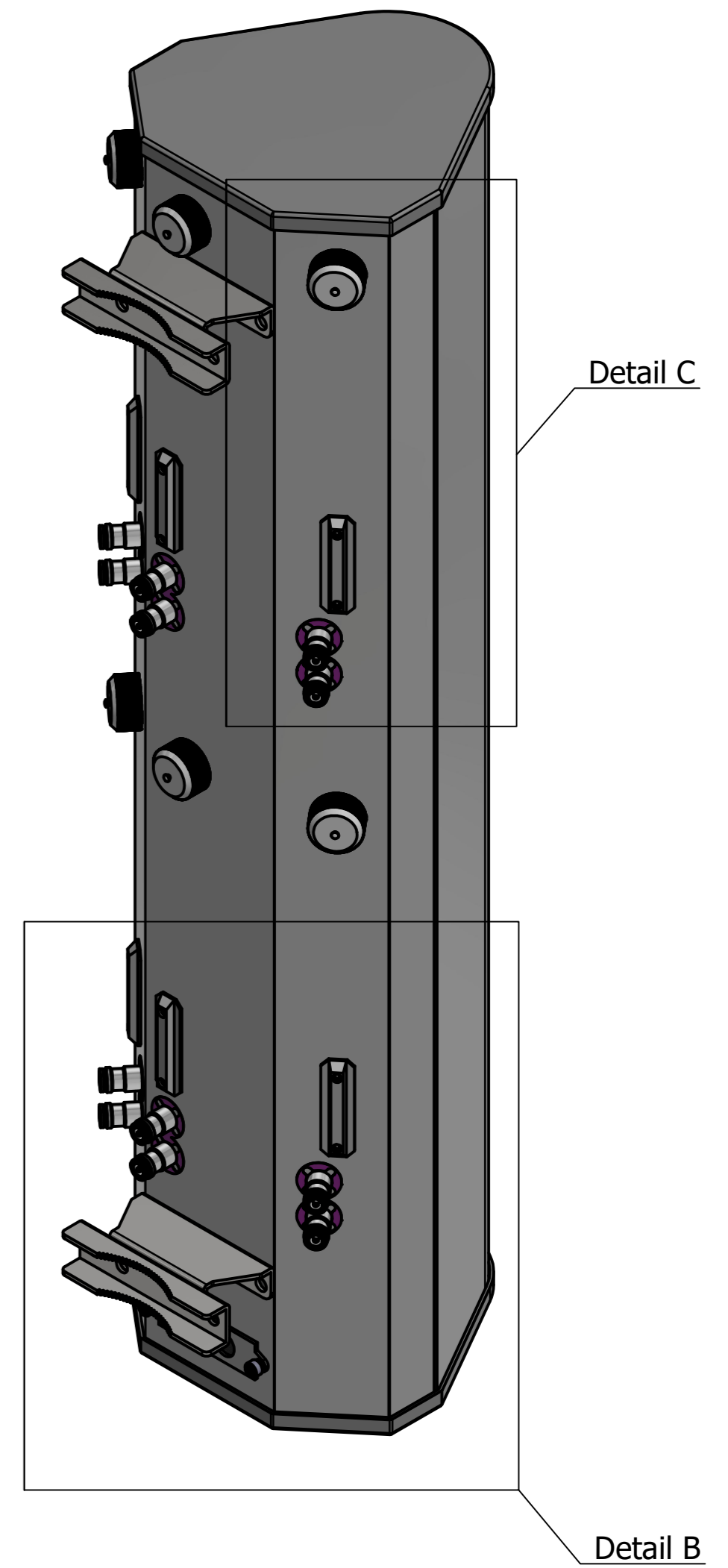


Designed by	Drawing by	Date	Approved by	Date	Quantity	Material
PAVEL	LAWRENCE	23/06/2021	PAVEL	23/06/2021		
MATSING LENS TECHNOLOGY ENABLED						MS-MBA-3-F4A3
						MS-MBA-3-F4A3 (mm)
						Revision 2.0
						Sheet 1 / 3

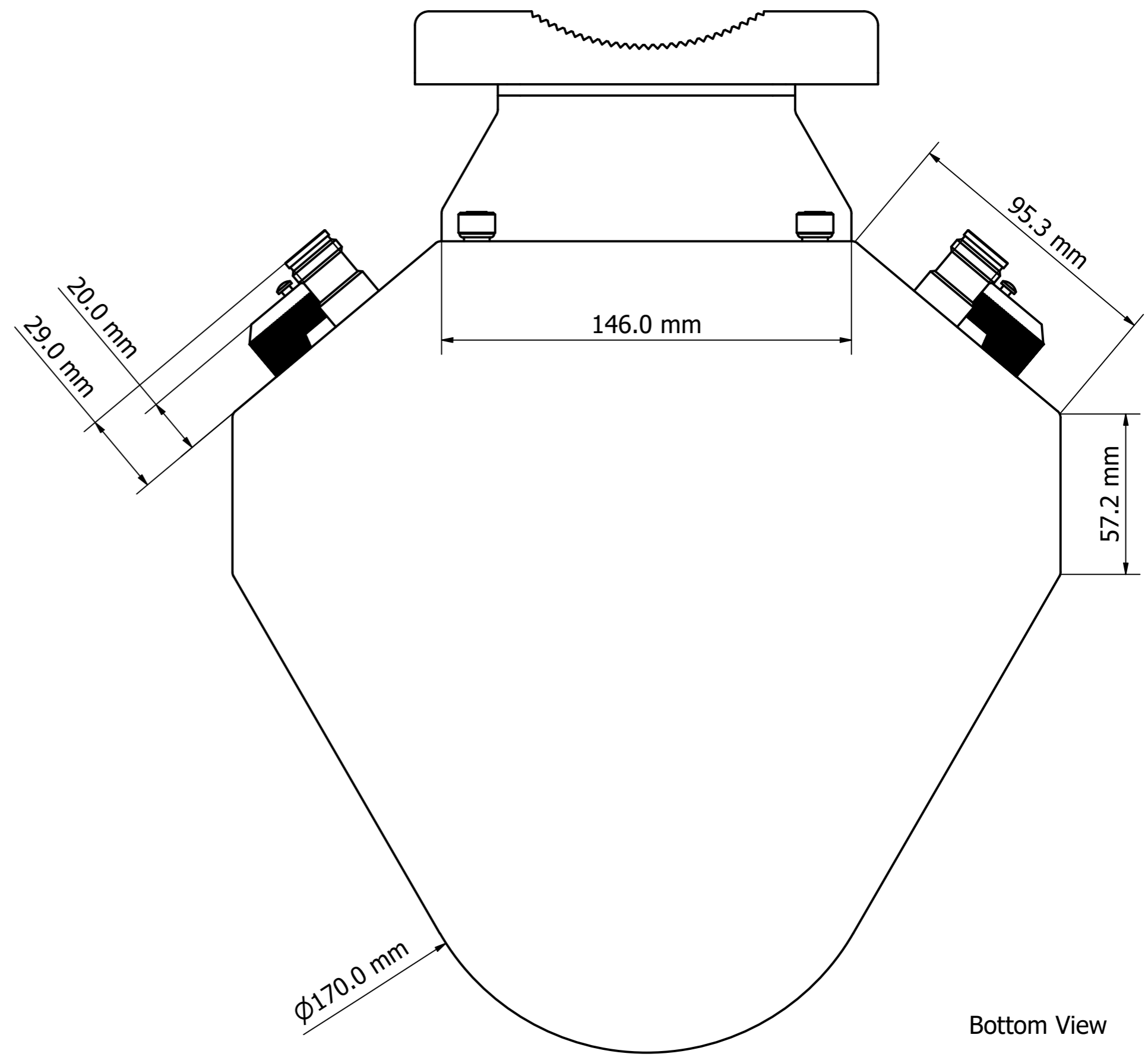
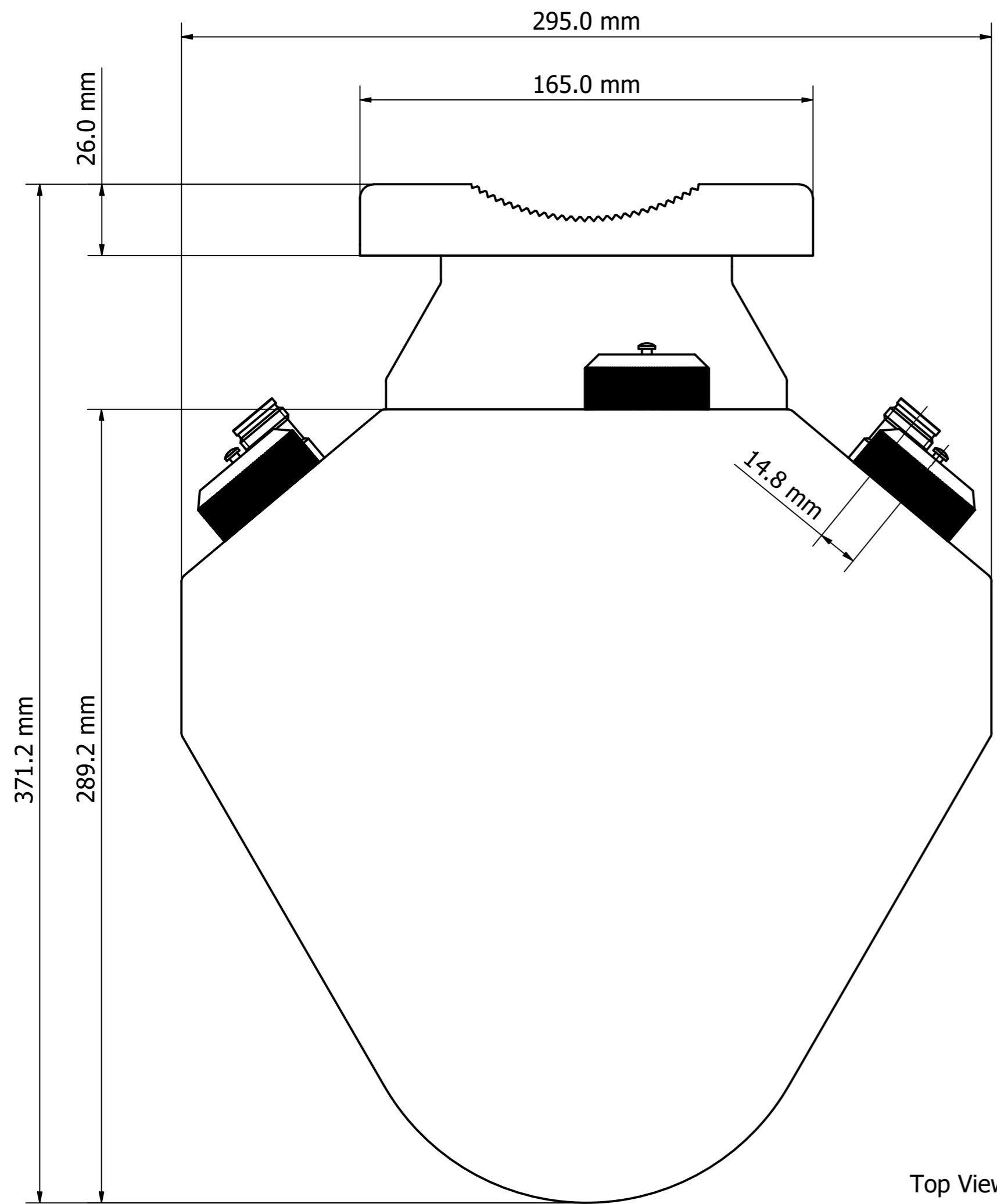


Detail C



Detail B

Designed by PAVEL	Drawing by LAWRENCE	Date 23/06/2021	Approved by PAVEL	Date 23/06/2021	Quantity	Material	
MATSING LENS TECHNOLOGY ENABLED						MS-MBA-3-F4A3	
MS-MBA-3-F4A3 (mm)						Revision 2.0	Sheet 2 / 3



Designed by PAVEL	Drawing by LAWRENCE	Date 23/06/2021	Approved by PAVEL	Date 23/06/2021	Quantity	Material
MATSING LENS TECHNOLOGY ENABLED						MS-MBA-3-F4A3
MS-MBA-3-F4A3 (mm)					Revision 2.0	Sheet 3 / 3