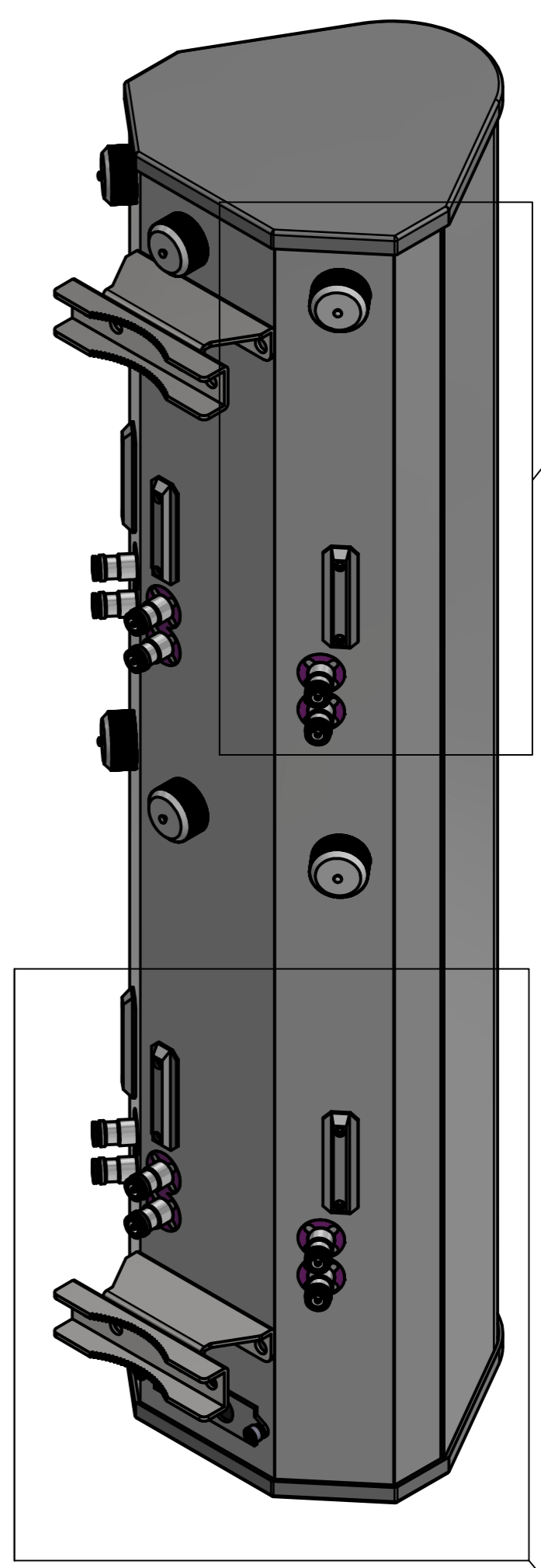
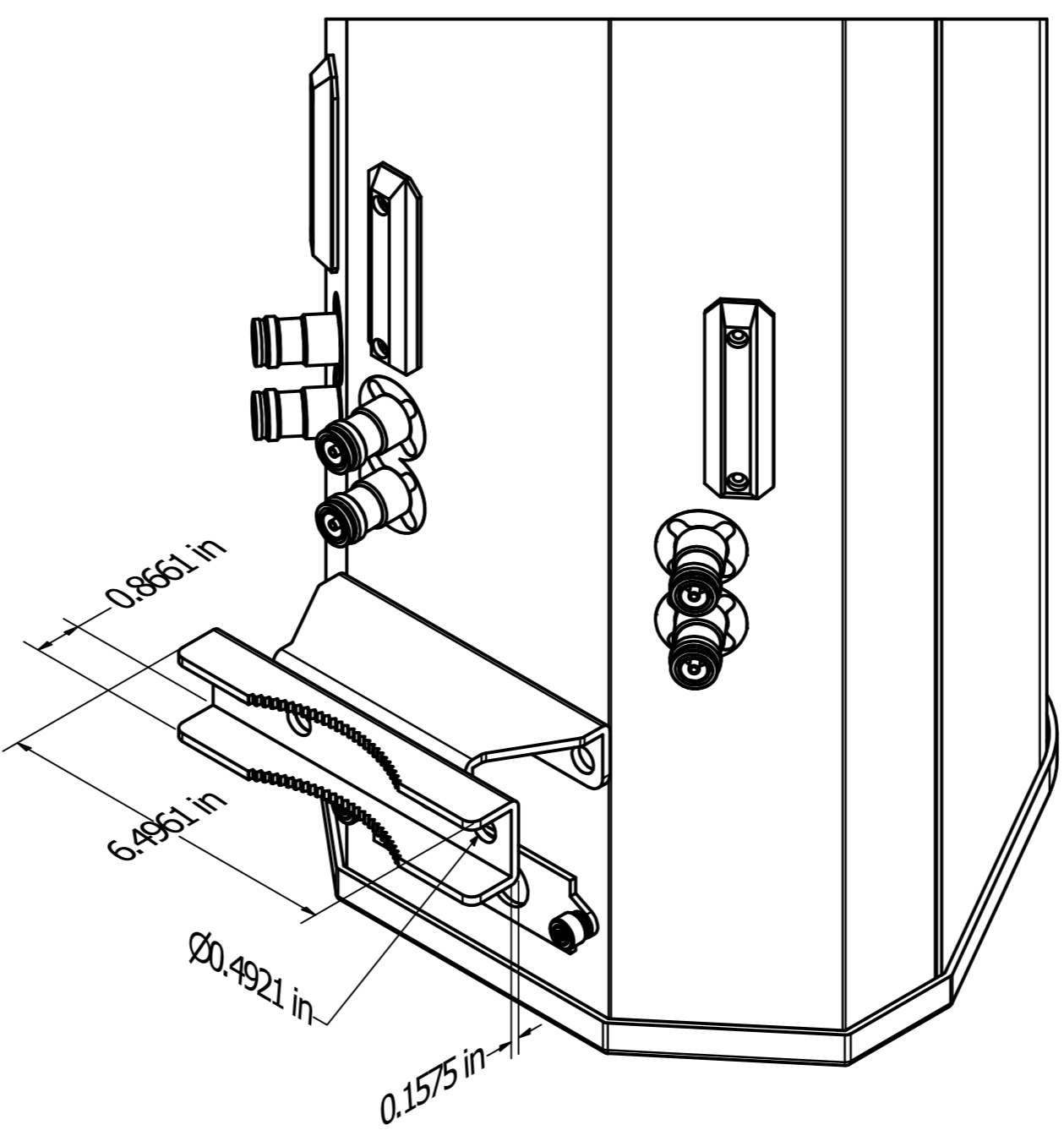
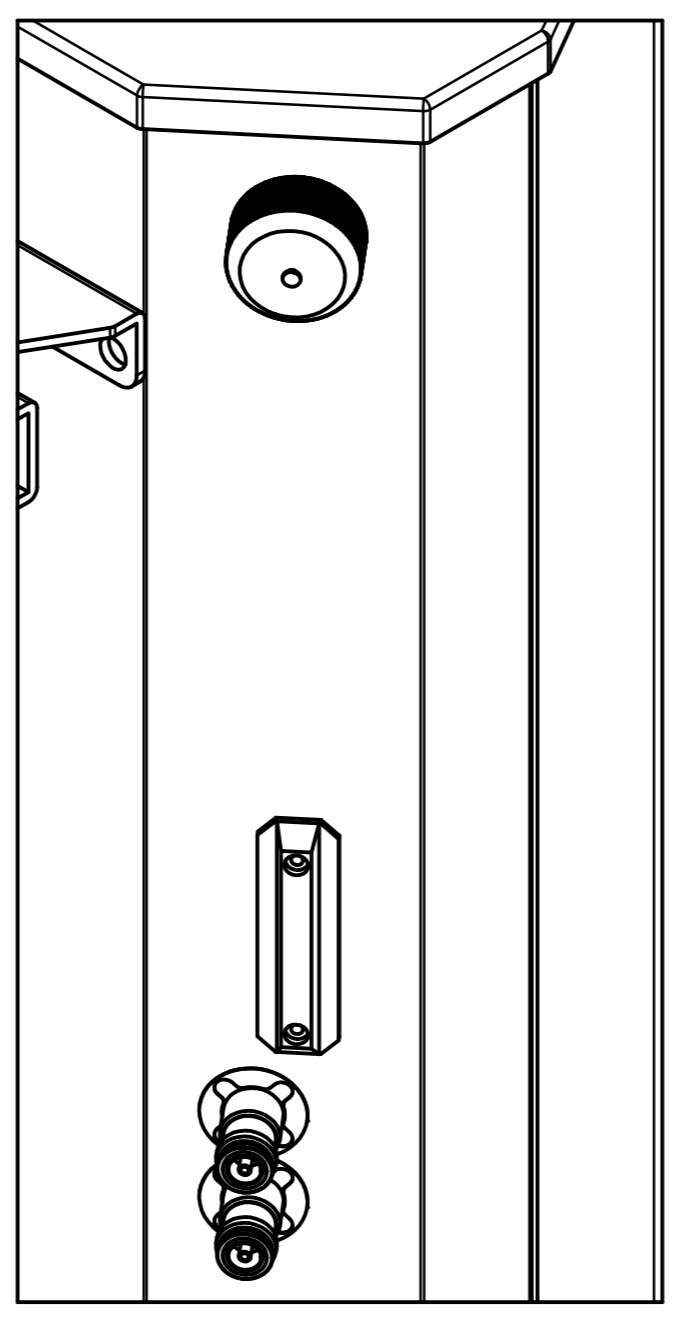
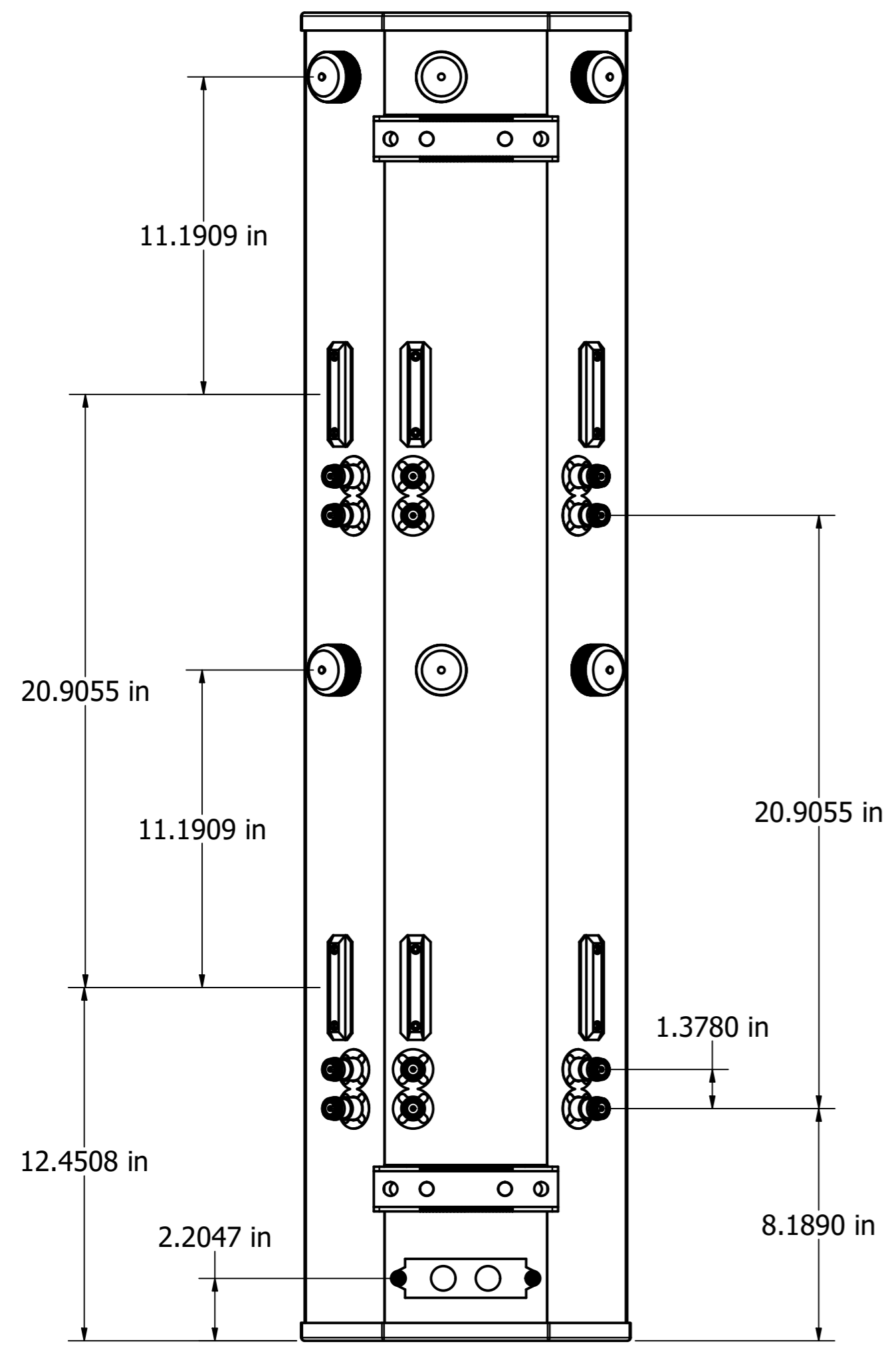


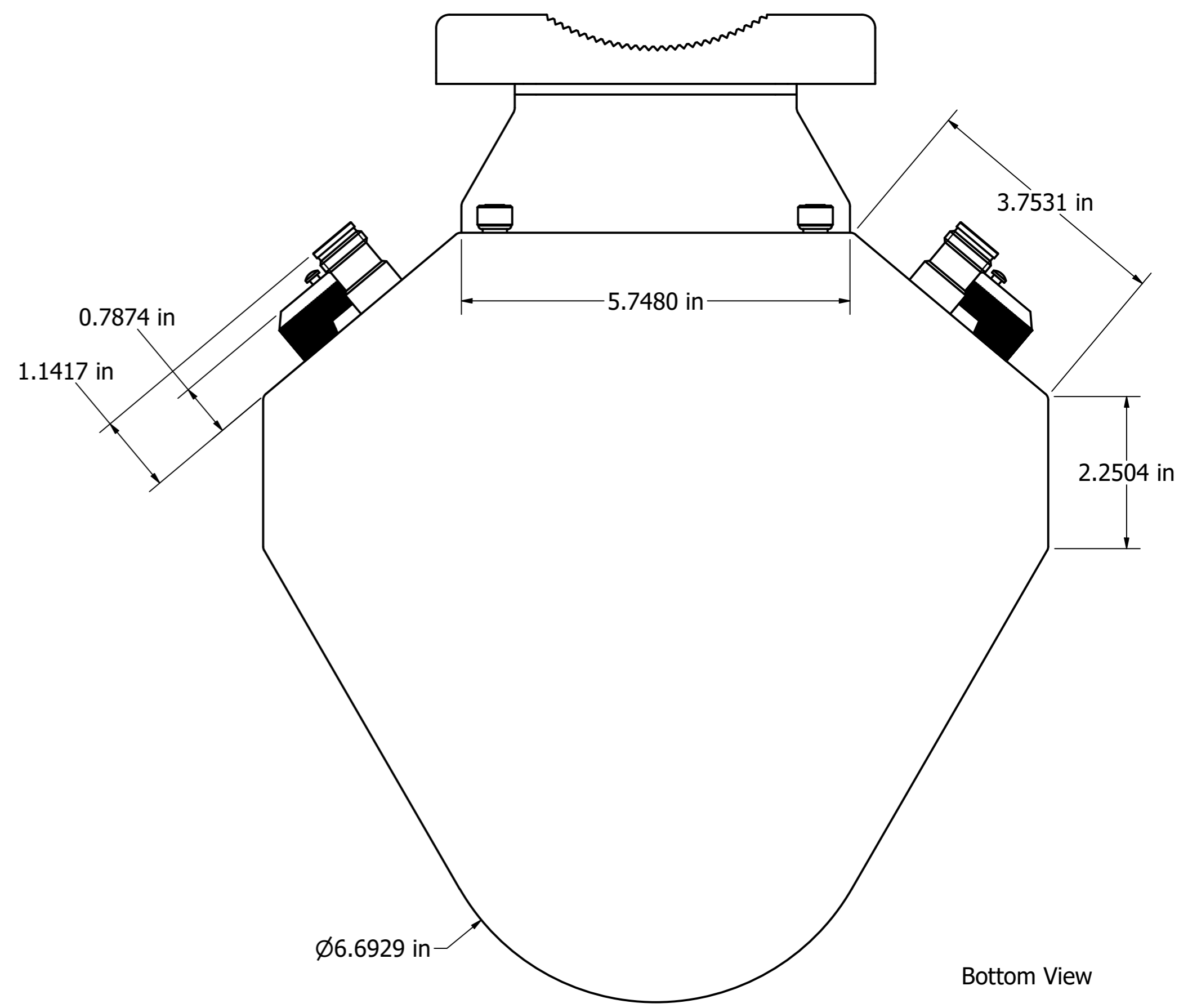
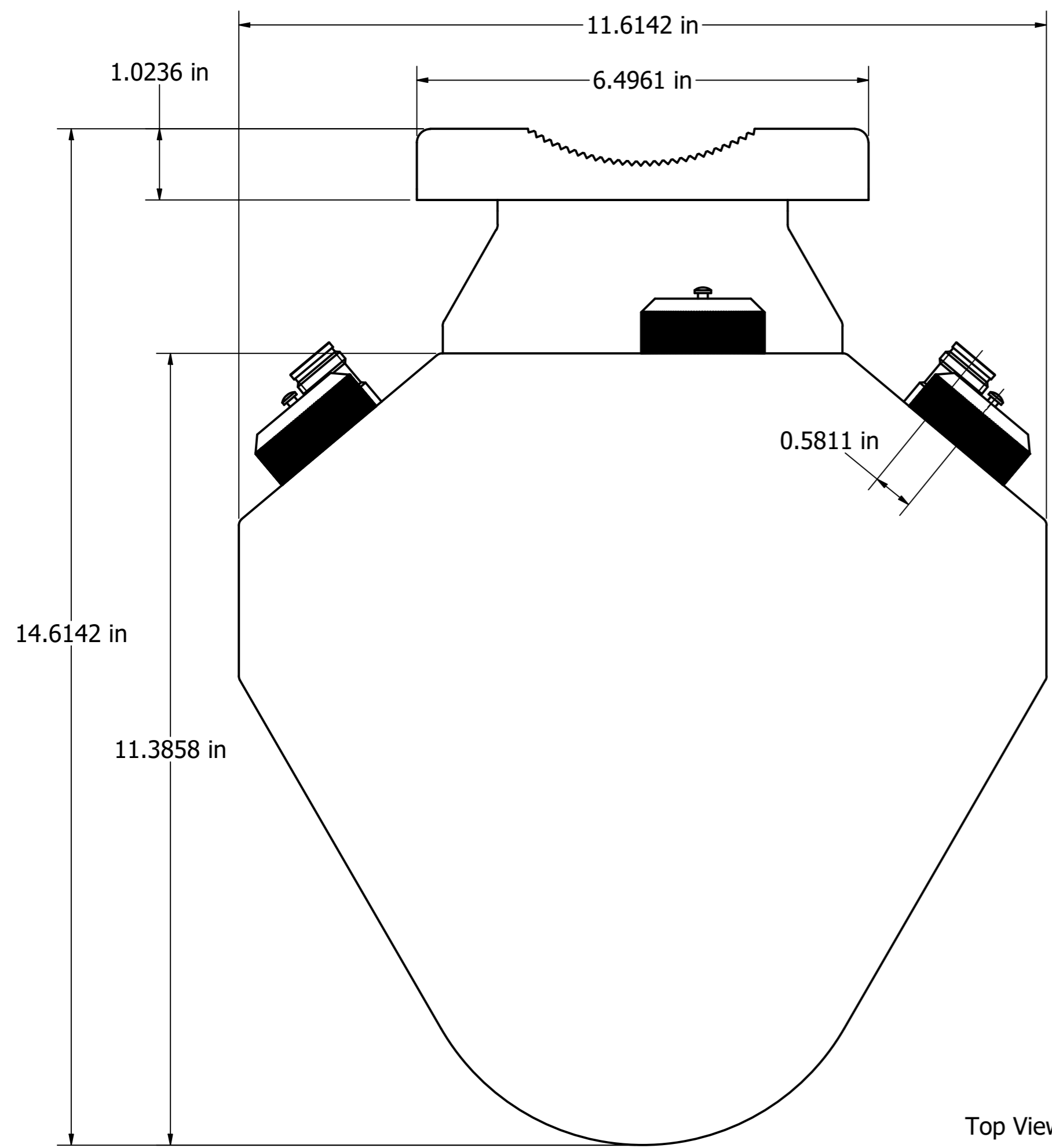
Designed by	Drawing by	Date	Approved by	Date	Quantity	Material
PAVEL	LAWRENCE	23/06/2021	PAVEL	23/06/2021		
<b>MATSING</b> LENS TECHNOLOGY ENABLED						MS-MBA-3-F4A3
						MS-MBA-3-F4A3 (in)
						Revision 2.0
						Sheet 1 / 3



Detail C

Detail B

Designed by PAVEL	Drawing by LAWRENCE	Date 23/06/2021	Approved by PAVEL	Date 23/06/2021	Quantity	Material		
<b>MATSING</b> LENS TECHNOLOGY ENABLED						MS-MBA-3-F4A3		
						MS-MBA-3-F4A3 (in)	Revision 2.0	Sheet 2 / 3



Designed by	Drawing by	Date	Approved by	Date	Quantity	Material
PAVEL	LAWRENCE	23/06/2021	PAVEL	23/06/2021		
<b>MATSING</b> LENS TECHNOLOGY ENABLED						
MS-MBA-3-F4A3						
MS-MBA-3-F4A3 (in)					Revision 2.0	Sheet 3 / 3