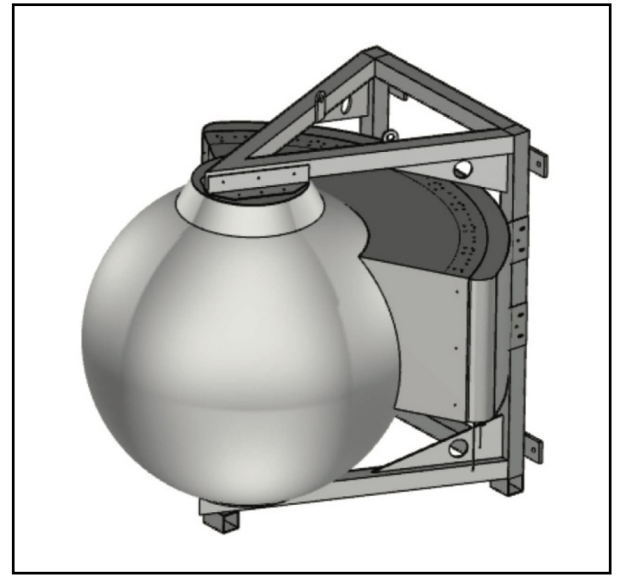
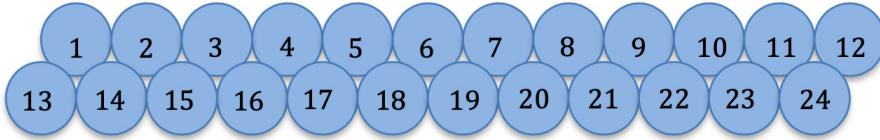


MS-24F90

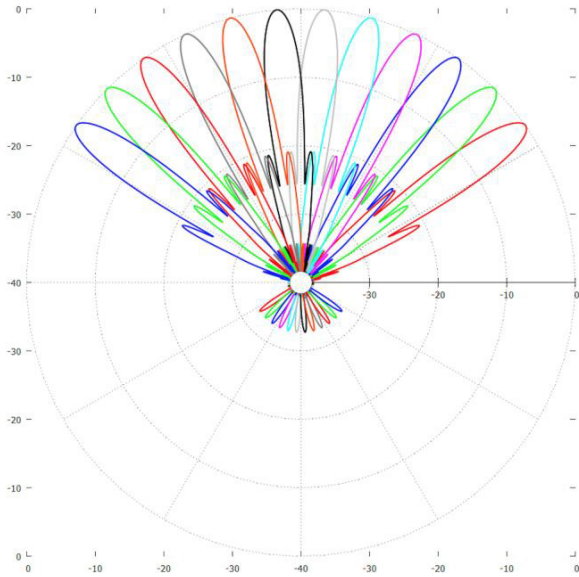
Multi-Beam Wide Band Spherical Lens Antenna: 2 rows of 12 independent high frequency (3300-4200MHz) cross-polarized beams.

BEAM LAYOUT:

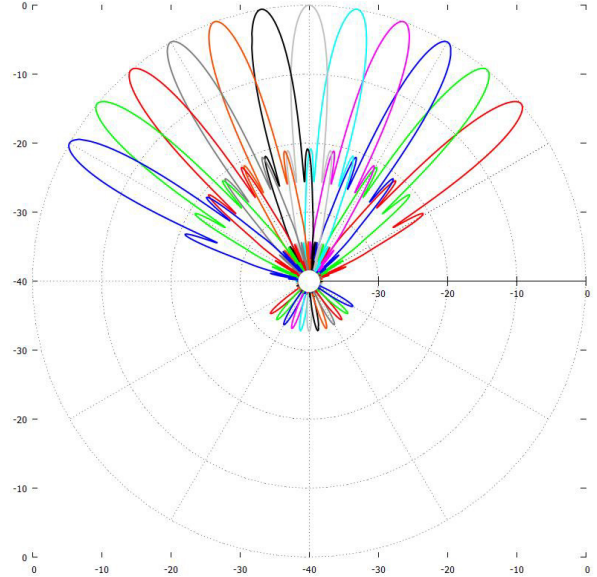


PATTERN RESULTS (3.6GHz):

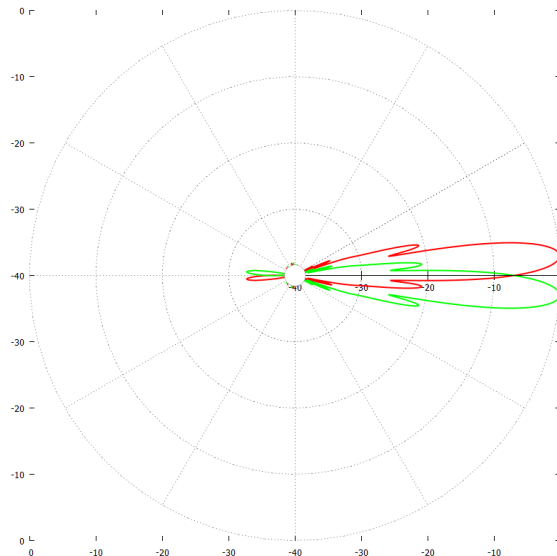
Horizontal pattern Row 1



Horizontal pattern Row 2



Vertical pattern



TECHNICAL SPECIFICATIONS PER BEAM

Frequency	3300-4200 MHz
Gain	26dBi
VSWR	<1.5:1
Polarization	Dual Slant ±45°
Horizontal Coverage	120°
Horizontal Beamwidth (10dB level) Horizontal Beamwidth (3dB level)	10° 6°
Vertical Beamwidth (10dB level) Vertical Beamwidth (3dB level)	10° 6°
Beam Cross-over	10dB typical
Total Number of Beams	24
Tilt (Factory Set)	+/- 15° Upper Row Lower Row Set based on Upper Row
First Sidelobe level	<-16dB
Front to Back Ratio	>28dB
Isolation Port to Port - Polarization	>28dB
Isolation Port to Port - Beam	>28dB
Power Rating	50W per port
Intermodulation	<-153dBc
Impedance	50 ohm
Connector Quantity and Type	48 X 4.3-10 female

MECHANICAL DATA

Dimensions (H x W x D)	Spherical Lens diameter: 90cm/35inch Antenna dimensions: 105.4 X 108.4 X 109.9 cm 41.5 X 42.7 X 43.3 inch
Antenna Weight	47.9 kg 105.6 lbs
Radome Material	Fiber Glass
Mounting	2 position pipe mount Compatible pipe diameter: 6.1 – 11.4 cm 2.4 – 4.5 inch

ENVIRONMENTAL RATINGS

Humidity	95% RH @ +30°C
Temperature	-40°C to +70°C
Wind load	55N @ 160km/h 13lbf @ 160km/h