

8 7 6 5 4 3 2 1

D

D

C

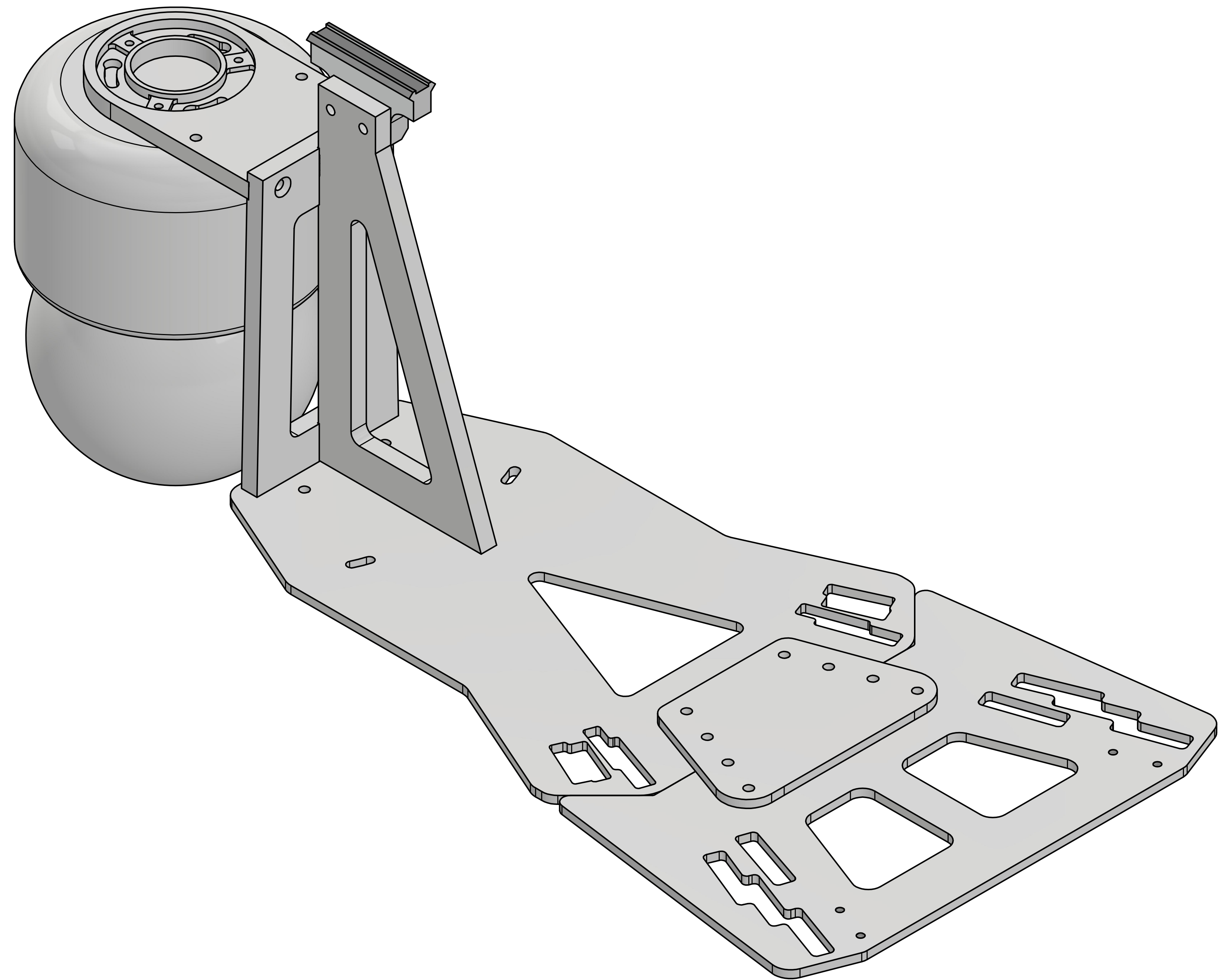
C

B

B

A

A



|          |      |            |        |                              |     |
|----------|------|------------|--------|------------------------------|-----|
| DRAWN    | Alex | 26/10/2022 |        |                              |     |
| CHECKED  |      |            | TITLE  |                              |     |
| QA       |      |            |        |                              |     |
| MFG      |      |            |        |                              |     |
| APPROVED |      |            |        |                              |     |
|          |      |            | SIZE   | DWG NO                       | REV |
|          |      |            | D      | Camera Bracket v2 bound (1a) | (2) |
|          |      |            | SCALE  | SHEET 1 OF 1                 |     |
|          |      |            | 1/1.56 |                              |     |

8 7 6 5 4 4 3 2 1