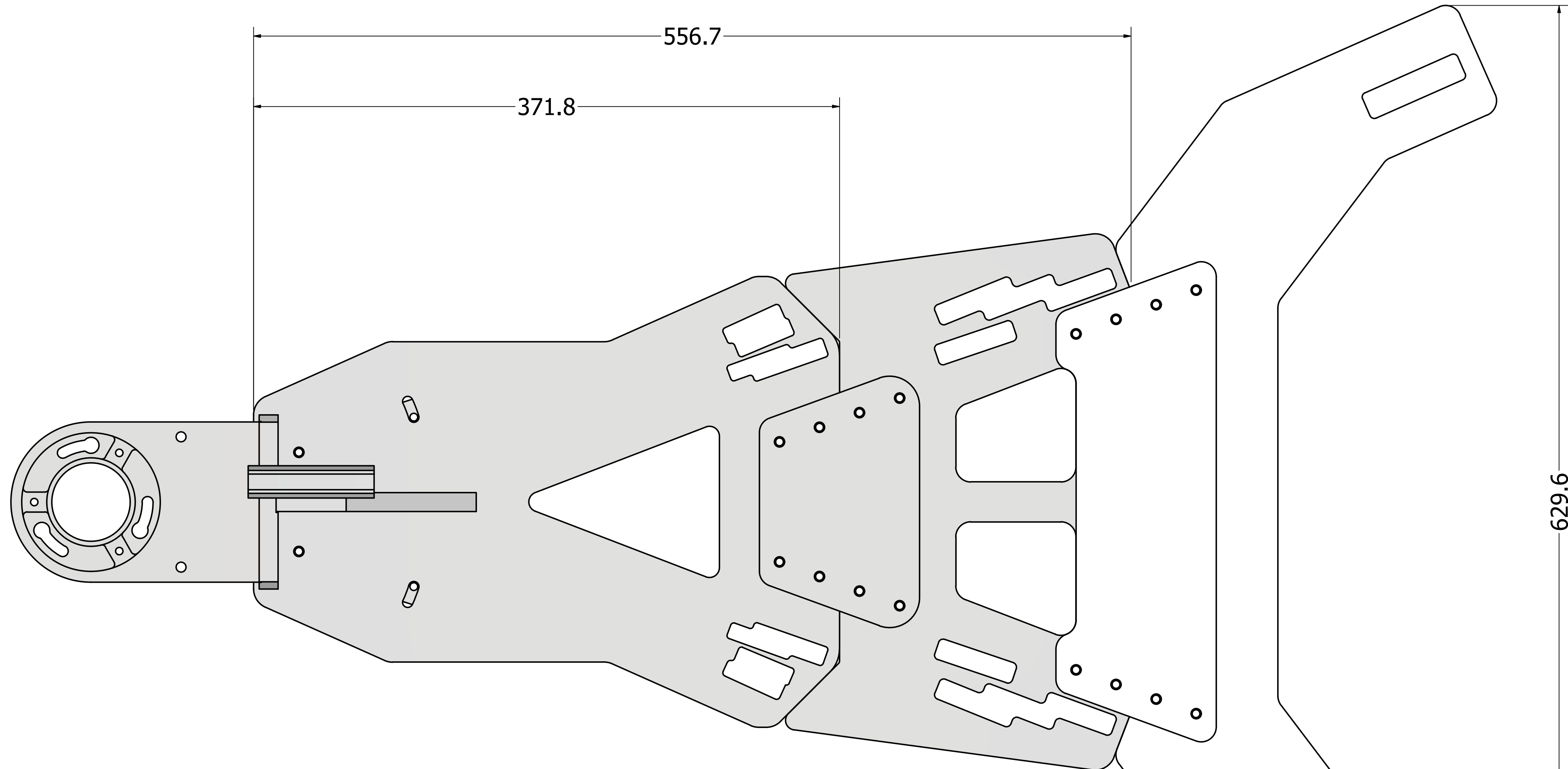
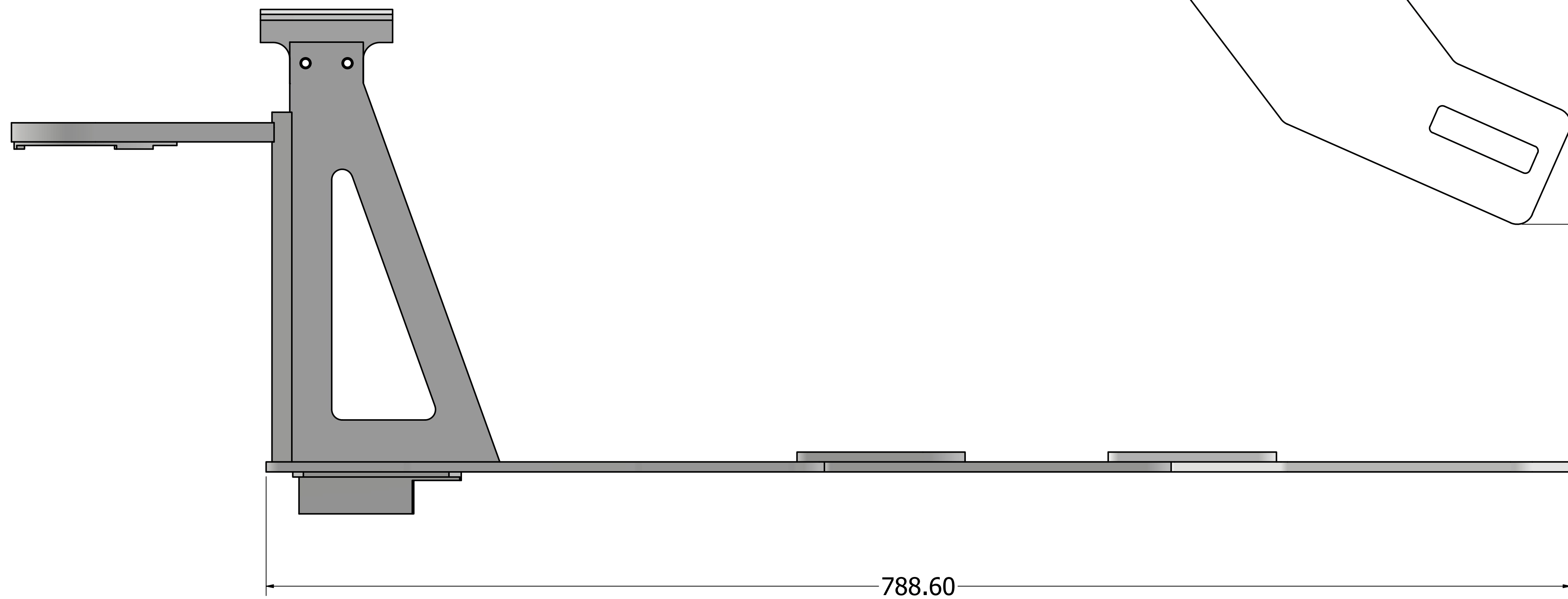
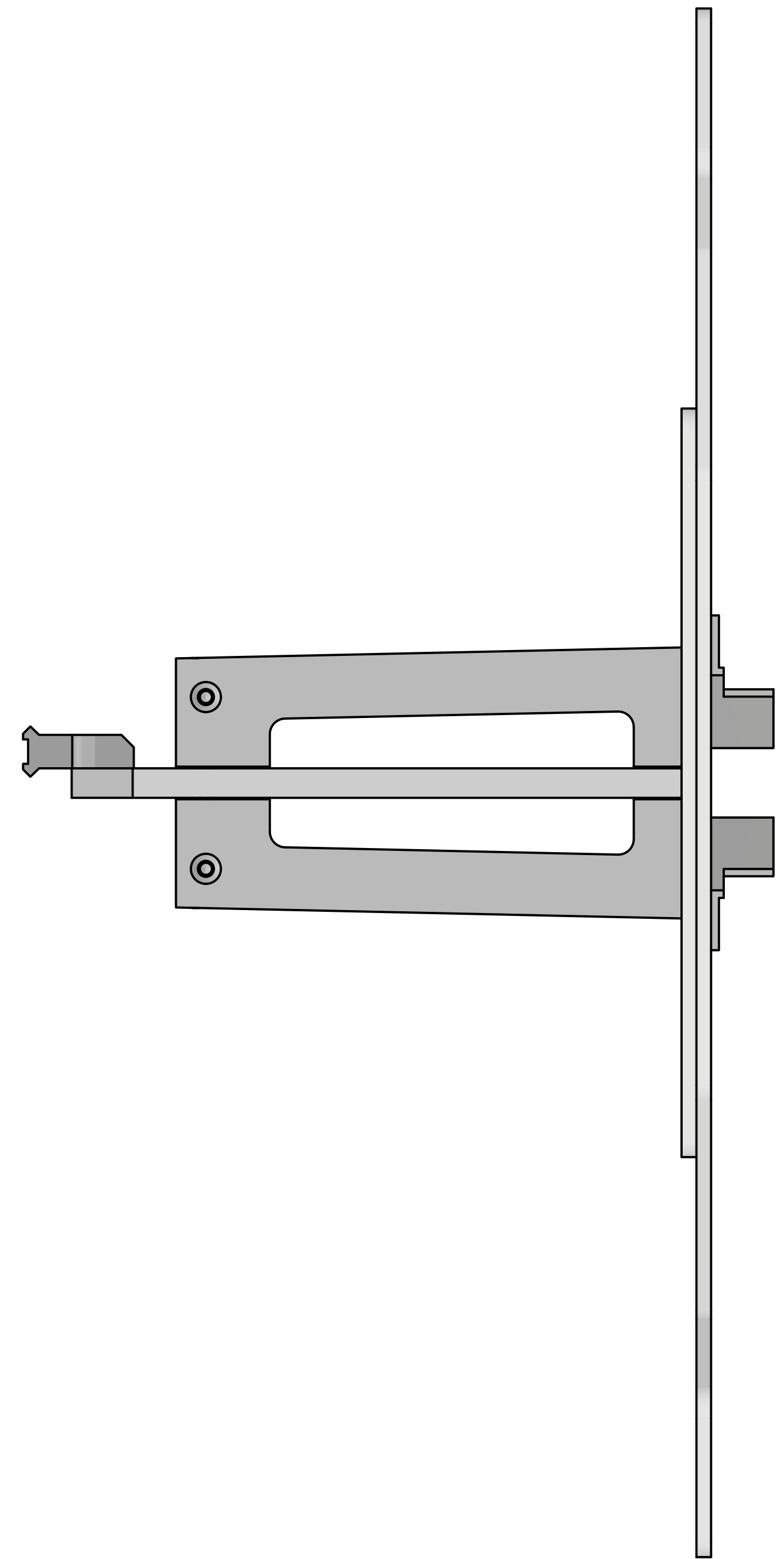


8 7 6 5 4 3 2 1



629.6



Al 4.96 kg

DRAWN	Alex	26/9/2022		
CHECKED			TITLE	
QA				
MFG				
APPROVED				
			SIZE	DWG NO
			D	Part14c Assembly1
			SCALE	1 / 1.8
				REV
				SHEET 1 OF 1

8 7 6 5 4 3 2 1