

Date	Prepared by	Approved by	Document nos	Revision
17 Aug 2022	Ray Ling	Pavel	MS-LSA-UNPACK-001	0

Large Sphere Antenna Unpacking Instruction

TABLE OF CONTENTS:

1.00 Large Sphere Antenna Overview

2.00 Large Sphere Antenna Wooden Crate Transport & Handling (Example of 180cm Lens Antenna)

- 2.10 Equipment's for lifting and short distance transporting
- 2.11 Lifting forks must "ALWAYS" use antenna rear side as the entrance point
- 2.12 Crane truck for higher then forklift level Lifting/Transporting
- 2.13 Heavy-duty Forklift with extended fork for low / ground level Lifting/Transporting
- 2.14 Manual Pallet Jack with extended fork for ground level Lifting / Transporting

3.00 Unboxing of Large Sphere Antenna Wooden Crate (Example of 180cm Lens Antenna)

- 3.10 Unboxing external wooden crate
- 3.11 Unboxing tools
- 3.12 Wooden crate panel removing steps
- 3.13 Use cutter to cut and remove plastic straps
- 3.14 Unscrew & remove top wooden cover
- 3.15 Unscrew left & right side to remove rear panel
- 3.16 Remove left & right side panels

4.00 Unpacking, handling & transferring of Large Sphere Antenna

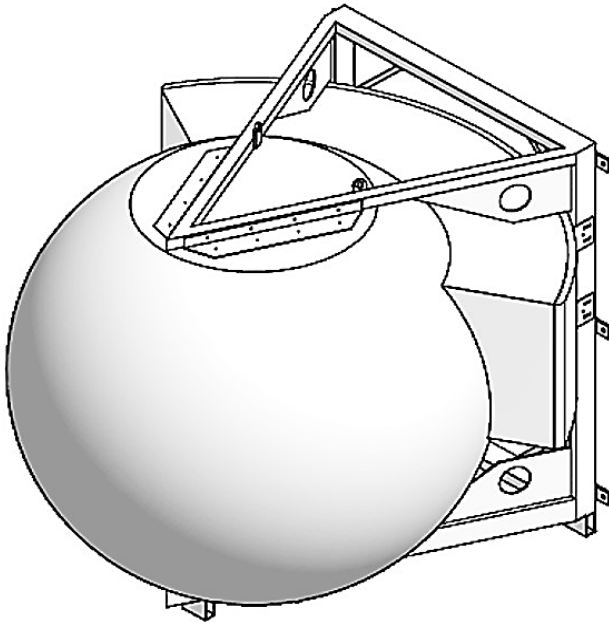
- 4.10 Unpacking of Large Sphere Antenna
- 4.11 Use craw bar remove the wooden support
- 4.12 Unwrapping shrink wrap
- 4.13 Use manual pallet jack for short distance transport

5.00 Caution Labels

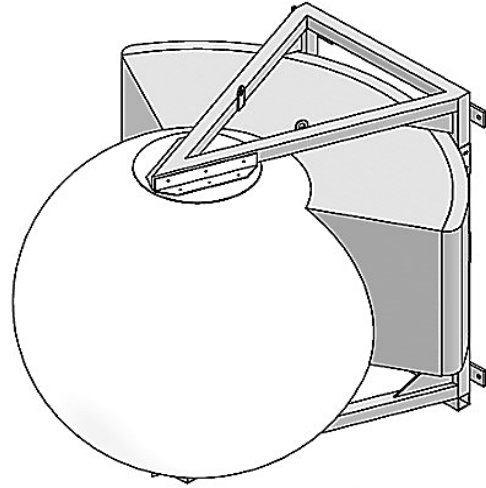
Revision History:

Date	Description	Revised by	Revision nos.

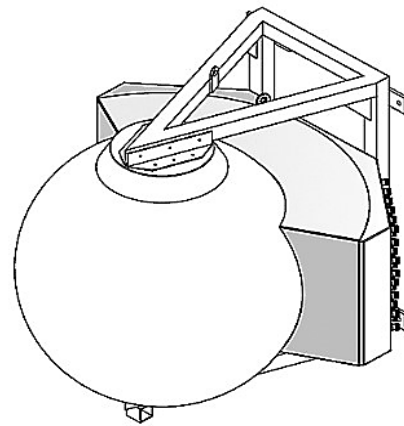
1.00 Large Sphere Antenna Overview (90cm to 180cm)



LSA 180cm Lens



LSA 120cm Lens



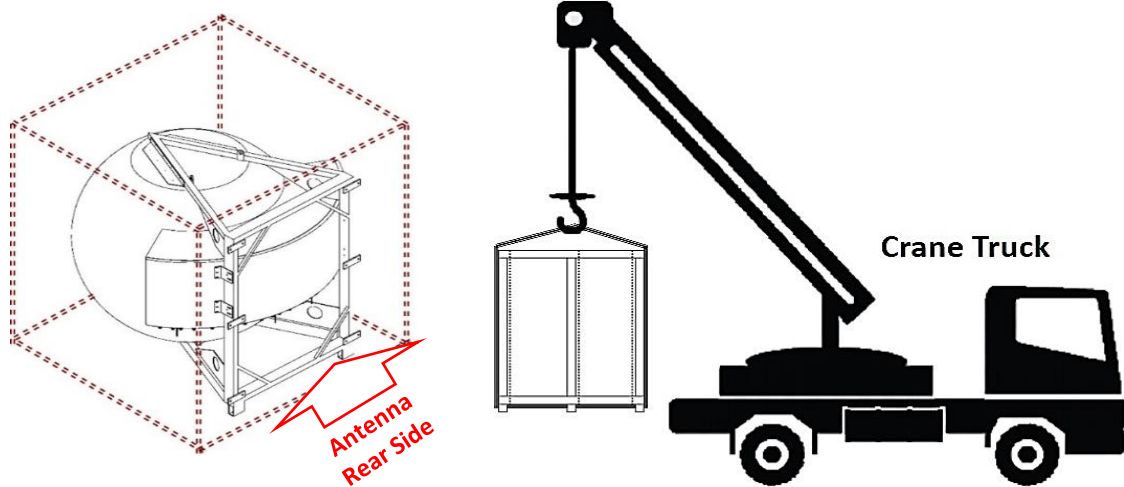
LSA 90cm Lens

2.00 Large Sphere Antenna Wooden Crate Transport & Handling (Example of 180cm Lens Antenna)

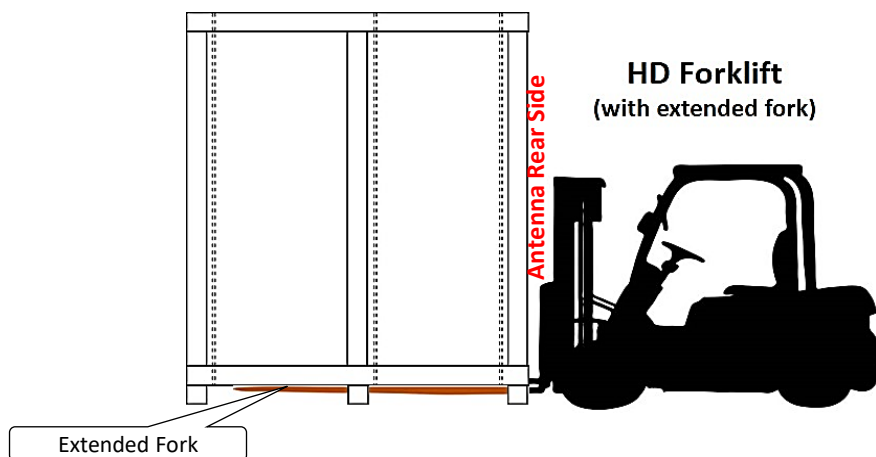
2.10 Equipments for lifting and short distance transporting

2.11 Lifting forks must "ALWAYS" use antenna rear side as the entrance point

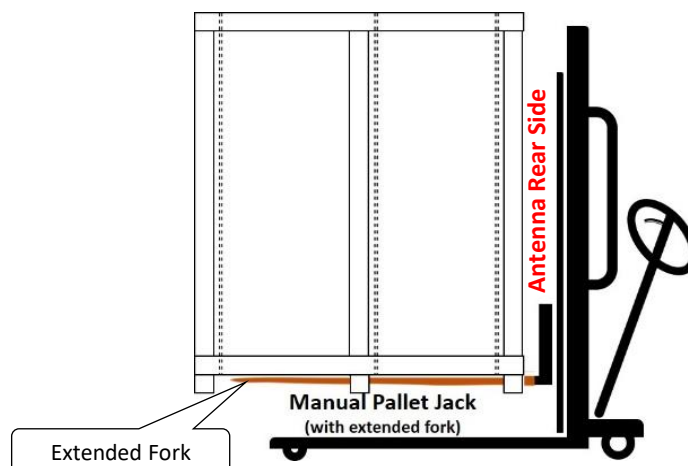
2.12 Crane truck for higher than forklift level Lifting/Transporting



2.13 Heavy-duty Forklift with extended fork for low / ground level Lifting/Transporting



2.14 Manual Pallet Jack with extended fork for ground level Lifting / Transporting



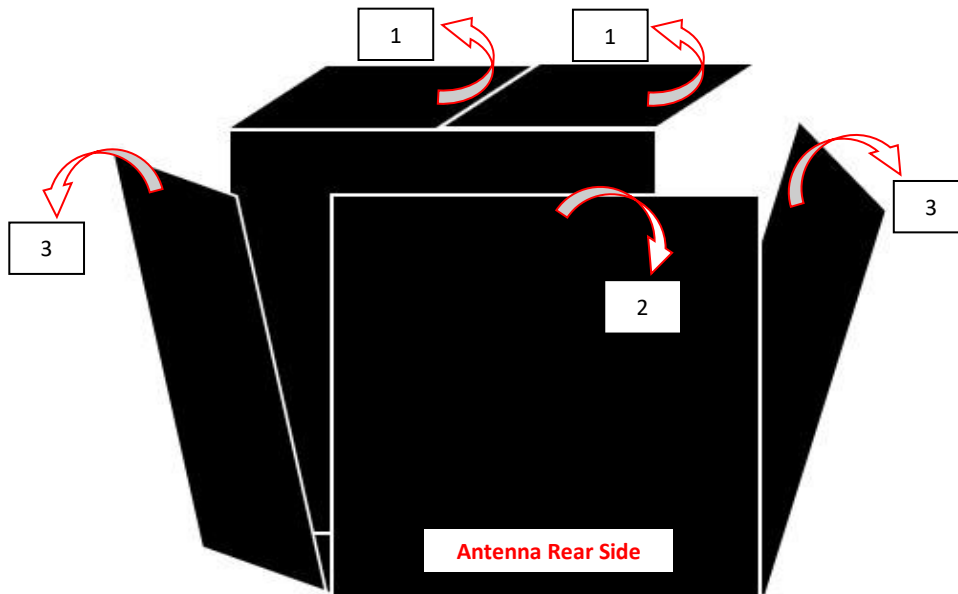
3.00 Unboxing of Large Sphere Antenna Wooden Crate (Example of 180cm Lens Antenna)

3.10 Unboxing external wooden crate

3.11 Unboxing tools



3.12 Wooden crate panel removing steps

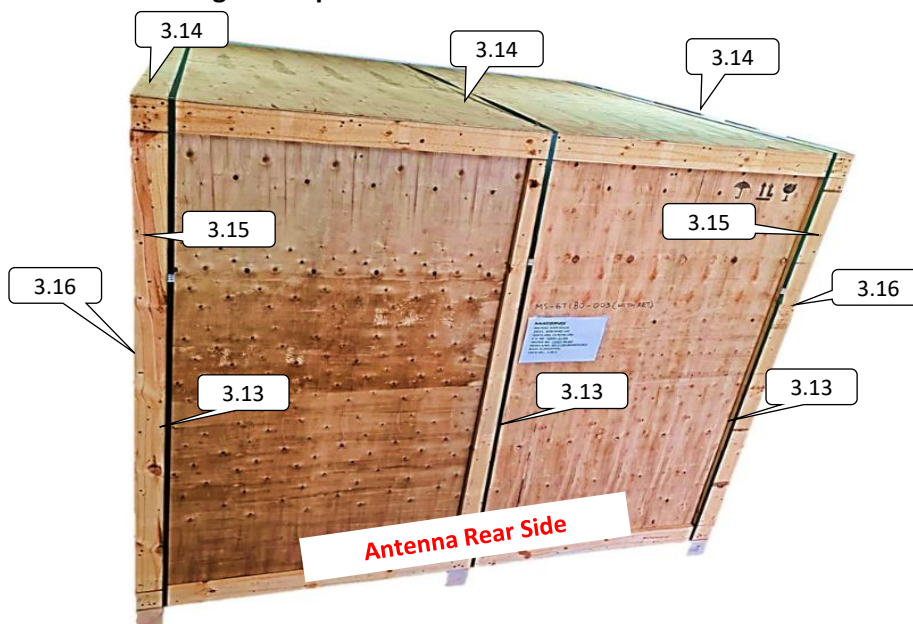


3.13 Use cutter to cut and remove plastic straps

3.14 Unscrew & remove top wooden cover

3.15 Unscrew left & right side to remove rear panel

3.16 Remove left & right side panels



4.00 Unpacking, handling & transferring of Large Sphere Antenna

4.10 Unpacking of Large Sphere Antenna

4.11 Use crow bar remove the wooden support

4.12 Unwrapping shrink wrap



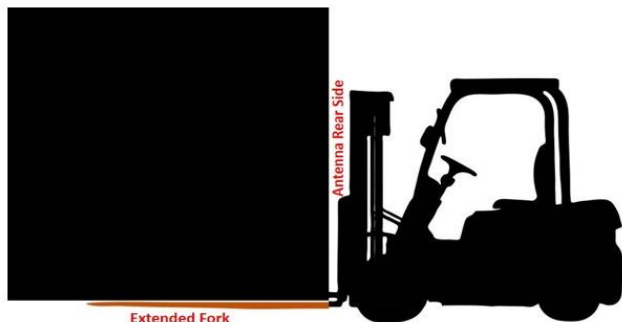
4.13 Use manual pallet jack for short distance transport



5.00 Caution Labels

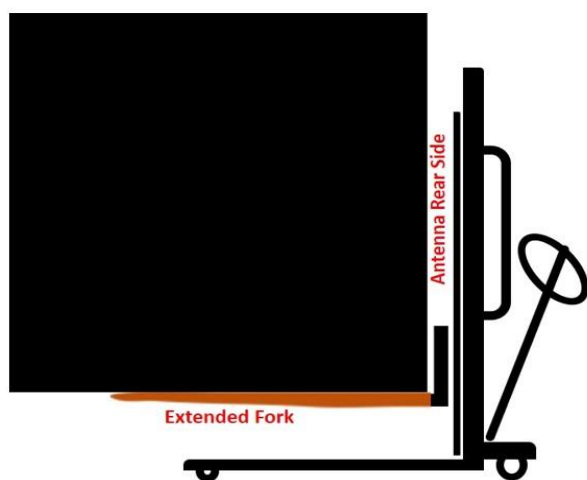
 **CAUTION**

WORK SAFE



**Extended fork
on rear side in**

 **CAUTION**



**Extended fork
on rear side in**

**ANTENNA
REAR SIDE**