

Date	Prepared by	Approved by	Document nos	Revision
29 May 2020	Ray Ling	Patrick Yeo	MS-MBA-UNPACK-001	0

MBA SERIES ANTENNA UNPACKING INSTRUCTION

TABLE OF CONTENTS:

1.00 MBA Antenna Size Overview

- 1.10 Large Size Antennas
- 1.20 Medium Size Antennas
- 1.30 Small Size Antennas

2.00 Unboxing Antennas Wooden Crate

- 2.10 Large Size Crate
- 2.20 Medium & Small Size Crate
- 2.30 Unboxing Wooden Crate
 - 2.31 Use cutter to cut and remove plastic straps
 - 2.32 Use electric driver to unscrew top, front and side panels screws.
 - 2.33 Use crowbar to pry open all unscrewed panel.
 - 2.34 Remove top panel
 - 2.35 Remove side panels
 - 2.36 Lift up antenna with 2 persons

3.00 Shipping Crate Unpacking Label

- 3.10 Large Size Antennas:
- 3.20 Medium & Small Size Antennas:

4.00 Antenna Safety Handling Procedure:

- 4.10 Safe Handling
- 4.20 Safe Lifting
- 4.30 Safe Transporting

Revision History:

Date	Description	Revised by	Revision nos.

1.00 MBA Antenna Size Overview

1.10 Large Size Antennas:

no	Model
1	MS-MBA-3-H8 (MS-MBA-8)
2	MS-MBA-3.2-H4-T4
3	MS-MBA-3.2-H4-L4
4	MS-MBA-3.2-H8-L4
5	MS-MBA-5.3-F4-H4

1.20 Medium Size Antennas:

no	Model
1	MS-3.3-F4
2	MS-MBA-2-L4
3	MS-MBA-3-H4
4	MS-MBA-3-F4
5	MS-MBA-3.2-H2-L2
6	MS-MBA-4-H4
7	MS-MBA-4.2-H2-L2
8	MS-MBA-5-F4
9	MS-MBA-5.3-F2-H2
10	MS-MBA-7-F4



MS-MBA-3.2-H4-L4



MS-MBA-8



MS-MBA-2-L4



MS-MBA-3-H4

1.30 Small Size Antennas:

no	Model
1	MS-MBA-2-L2
2	MS-MBA-3-H2 (MS-MBA-2)
3	MS-MBA-3-H2-TR
4	MS-MBA-3-F2
5	MS-MBA-4-H2
6	MS-MBA-5-F2
7	MS-MBA-6SH-LAA
8	MS-MBA-3-LAA2
9	MS-MBA-6-LAA2



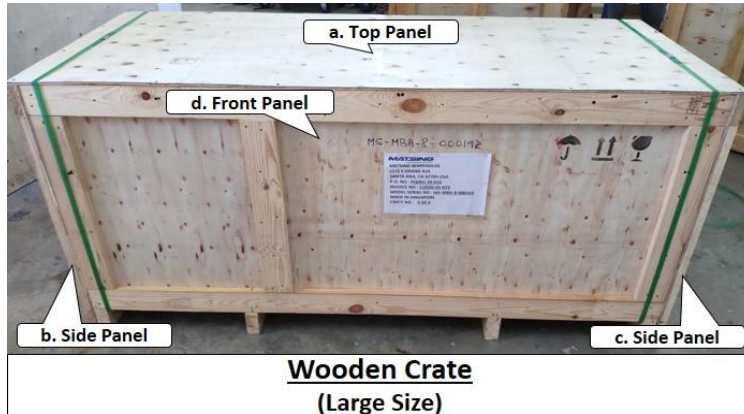
MS-MBA-3-H2



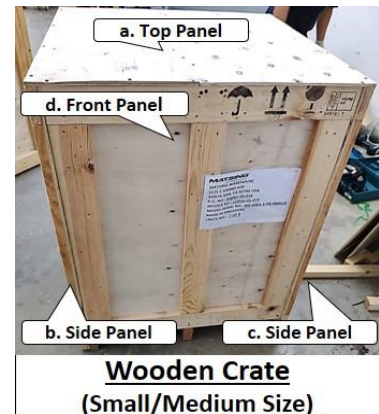
MS-MBA-6SH-LAA

2.00 Unboxing Antennas Wooden Crate

2.10 Large Size Crate:



2.20 Medium & Small Size Crate:



2.30 Unboxing Wooden Crate:

- 2.31 Use cutter to cut and remove plastic straps
- 2.32 Use electric driver to unscrew top, front and side panels screws.
- 2.33 Use crowbar to pry open all unscrewed panel.
- 2.34 Remove top panel

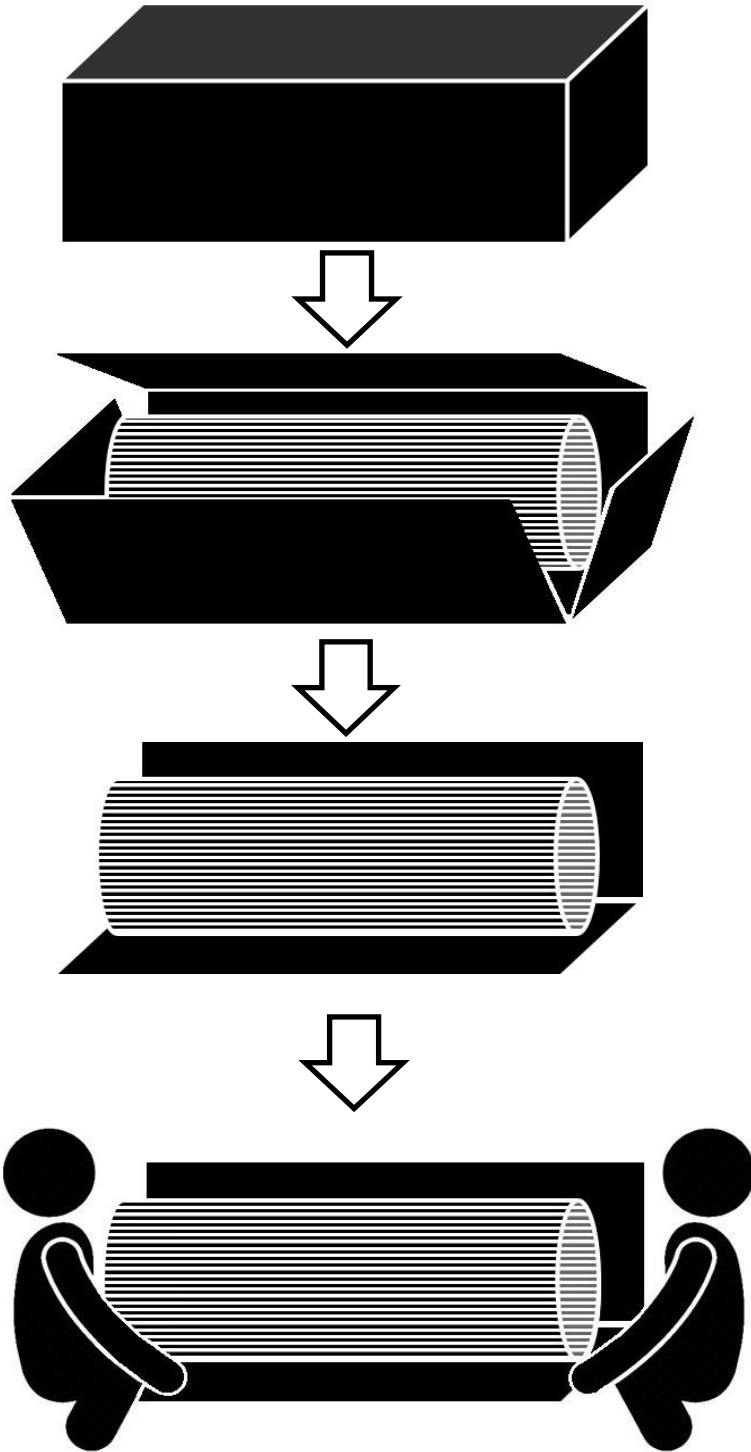


- 2.35 Remove side panels
- 2.36 Lift up antenna with 2 persons

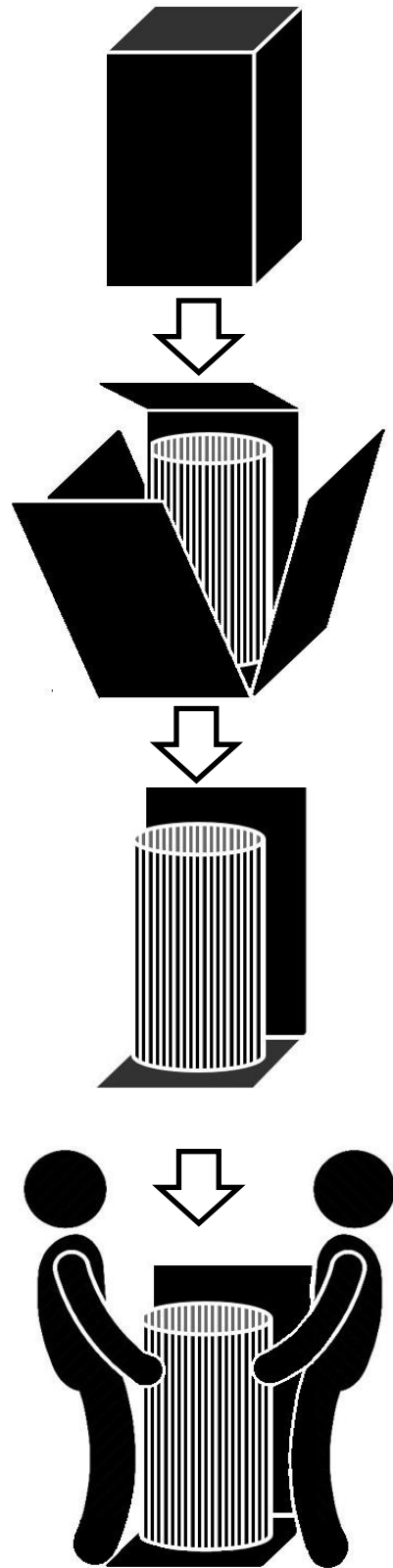


3.00 Shipping Crate Unpacking Label

3.10 Large Size Antennas:



3.20 Medium & Small Size Antennas:



4.00 Antenna Safety Handling Procedure:

4.10 Safe Handling



4.20 Safe Lifting



4.30 Safe Transporting

