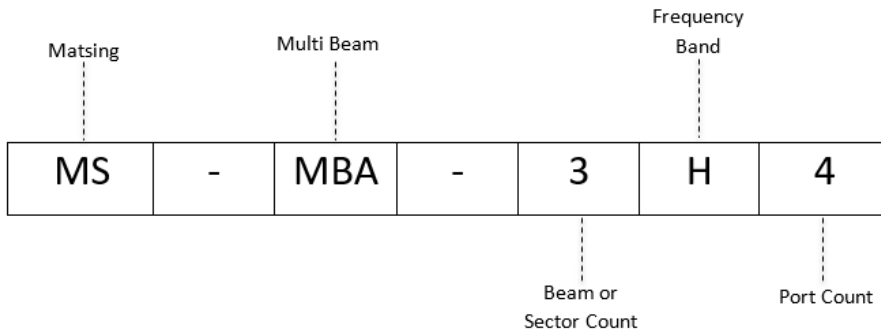
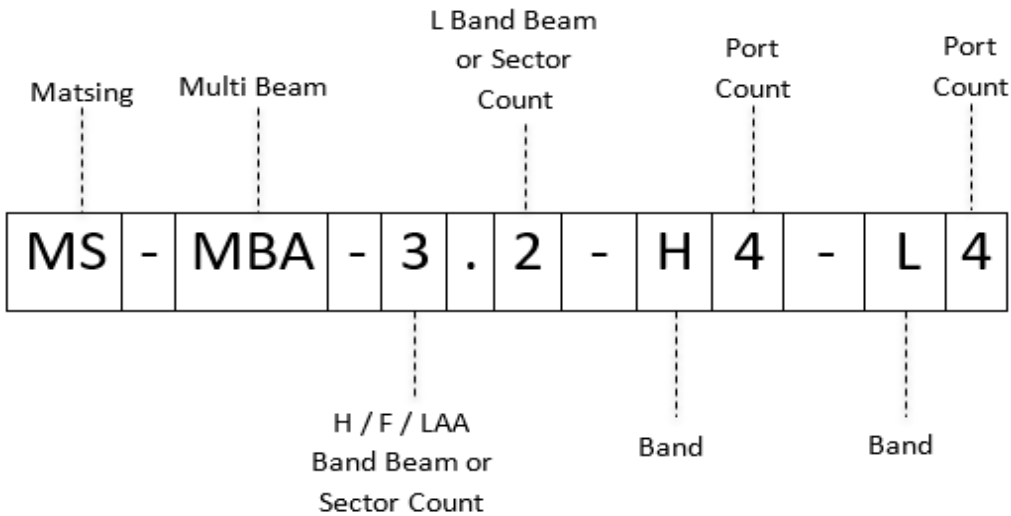


MATSING ANTENNA MODEL NOMENCLATURE (MBA Series)

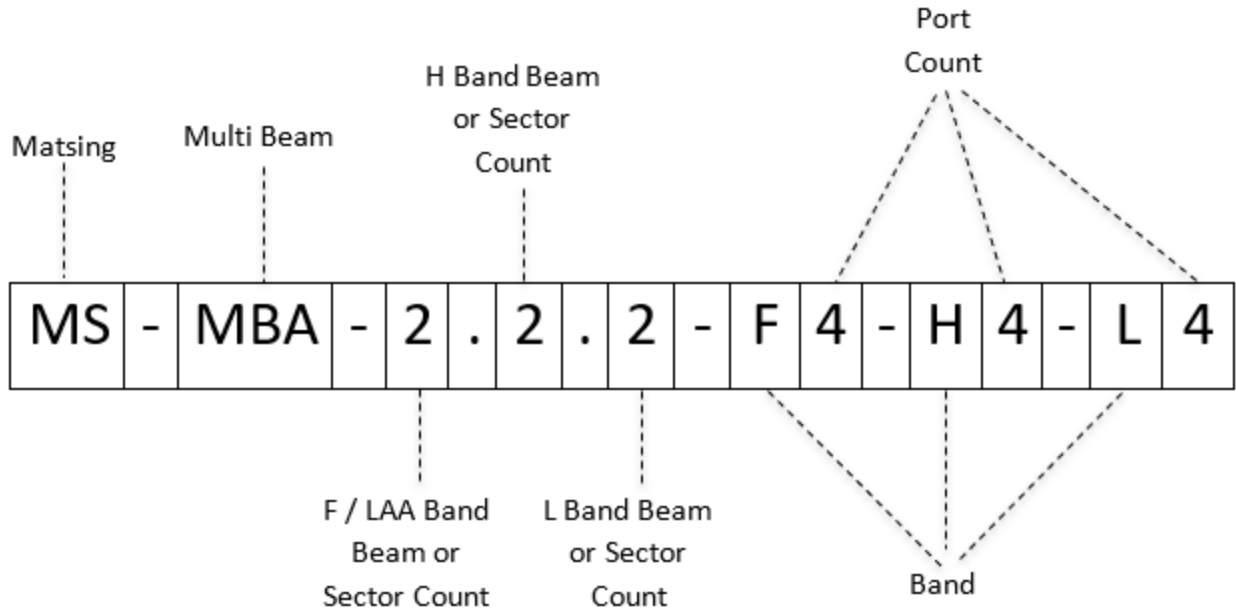
- Single Band Antenna Models



- Dual Band Antenna Models



- Tri Band Antenna Models



Beam or Sector Count

2, 3, 4, 5, 6, 7, 8, 9

Key

A = Array of Spheres

C = Combined Spheres

Frequency Band

L = 698MHz – 960MHz

H = 1695MHz – 2690MHz

T = 617MHz – 896MHz

F = 3300MHz – 4200MHz

LAA = 5000MHz – 6000MHz